

Z2 DUS 1/2 C COMMERCIAL Tap Range

Single Pillar Basin Soft Touch Timed Flow Tap Chrome



Specification

| | |
|-----------------------------------|-----------------------------|
| Product Type: | Bathroom Tap |
| Main Construction Material: | Brass |
| Mount Type: | Deck Mounted |
| Handle Type: | Push Button |
| Connection Inlet: | 1/2" BSP |
| Connection Outlet: | Open |
| Number of Tap Holes: | 1 |
| Valve/Cartridge Type: | Self Closing Valve |
| Plumbing System Requirements: | All - Ideally Balanced |
| Working Pressure Range: | Min. 0.5 Bar - Max. 5.0 Bar |
| Maximum Hot Water Temperature: °C | 60 |
| Maximum Static Pressure: (bar) | 10 |
| Flow Type: | Single Flow |
| Isolation Included: | No |

Features:

- Timed shut off to meet BS EN 816
- Soft touch easy to use mechanism
- Supplied with both hot and cold indices
- Supplied with 5 L/min flow regulator
- Operates at a minimum pressure of 0.5 bar

Product Certifications:



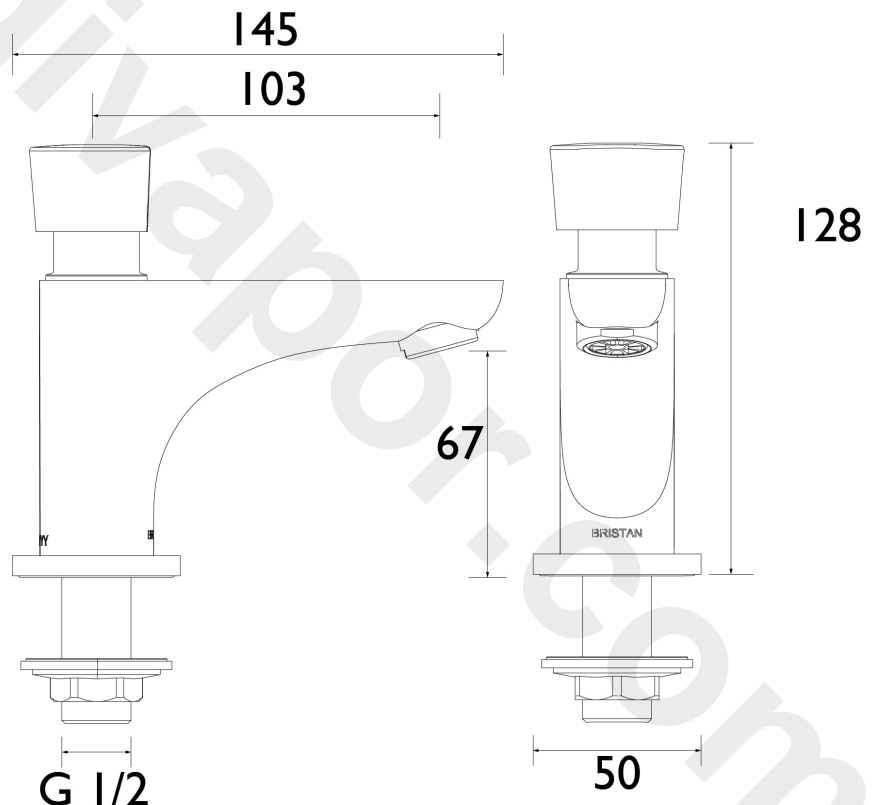
WRAS Cert. Number: 1907902
WRAS Expiry Date: 31/07/2024



For more products, visit our website:
<http://www.bristan.com>



Dimensions (measurements in mm)



Flow Rates (l/min)

| System Pressure (bar) | 0.2 | 0.5 | 1 | 2 | 3 | 5 |
|-----------------------|-----|-----|------|------|------|------|
| Z2 DUS 1/2 C | 5.3 | 15 | 21.5 | 30.4 | 37.3 | 48.2 |

TECHNICAL
DATA
SHEET



BRISTAN

D13