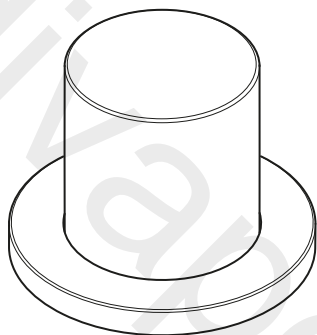


XO4250
DECK MOUNTED DIVERTER
INSTALLATION GUIDE



LEFROY BROOKS

IMPORTANT INFORMATION

Professional installation

We recommend that our products are fitted by a fully qualified professional plumber. They should be installed correctly and in accordance with all local water regulations and the system protected by non-return valves (not supplied). All products should be accessible for routine servicing.

Suits all systems

This Lefroy Brooks product is potentially suitable for every possible application, type of boiler and water supply pressure. However, if your supply pressure is below 1 bar it is advisable to fit a water pump. For systems with combination boilers, it is not advisable to fit pumps (refer to boiler manufacturer).

Supply connections

Lefroy Brooks do not supply any pipework or connectors for this product as it can be installed in any configuration in relationship to the spout or shower, subject to individual installation designs or requirements.

Connections should be made using G $\frac{3}{4}$ tap connectors (not compression fittings).

Flushing system

It is most important to flush out all pipework thoroughly before connecting the product. This is the single most common cause of cartridge failure.

Supply temperature safety notice

To comply with local building regulations, current legislation, relevant standards and codes of practice a thermostatic mixing valve (TMV) should be fitted (not supplied) to the hot supply. This will restrict the temperature to a safe working maximum temperature. Maximum allowed temperatures vary subject to type of installation or specification of building.

Balancing flow

If there is a significant difference in water pressures between hot & cold supplies, we recommend an in-line flow suppressor/regulator (not supplied) be fitted. This should be fitted to whichever has the greater flow rate, in an accessible position close to the valve.

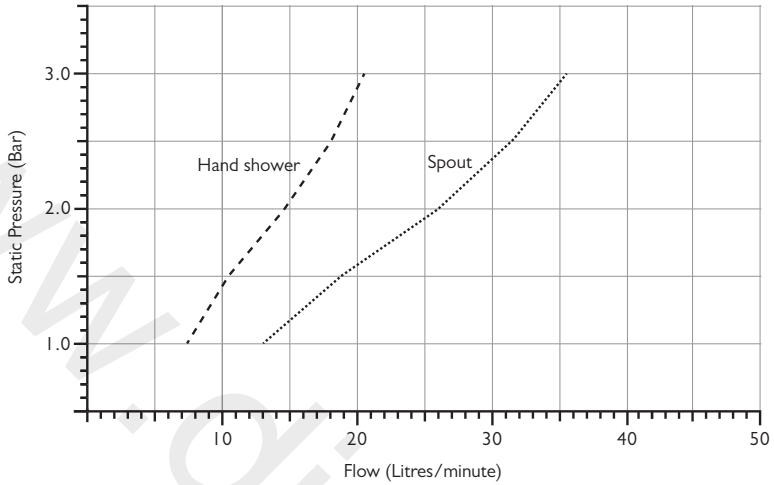
Water quality

In hard water areas, a suitable water treatment system should be provided to prevent limescale deposits (calcium deposits) which may effect the long term performance of the ceramic cartridges. Exterior surfaces should be gently wiped with a dry soft cloth after use to minimise water stains and limescale deposits.

Servicing

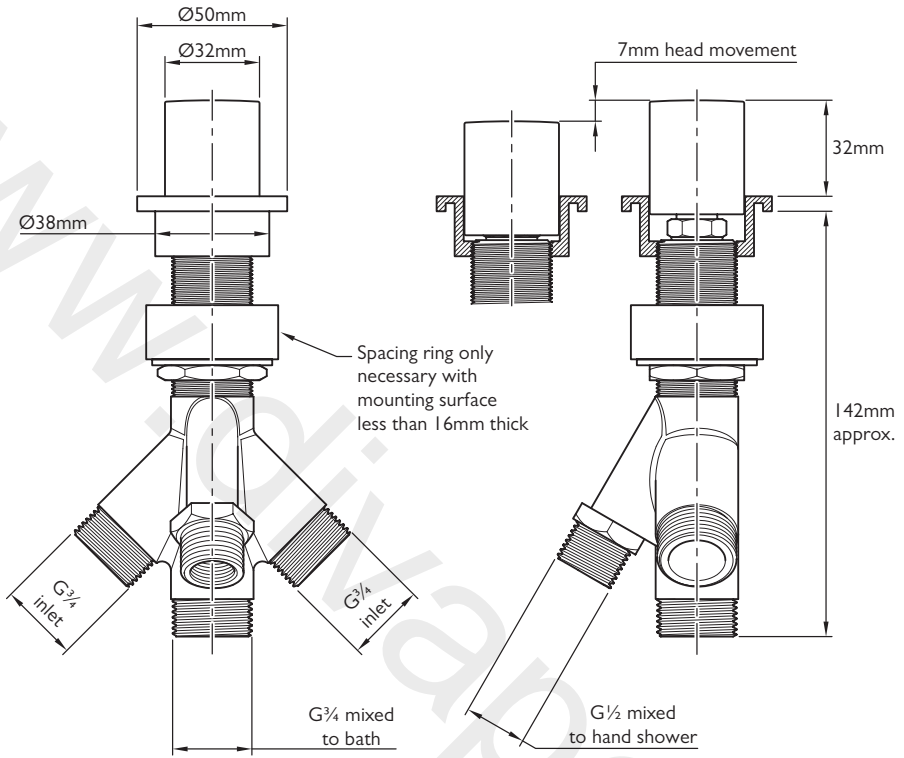
All serviceable parts are available to maintain your Lefroy Brooks product.

TYPICAL FLOW RATES

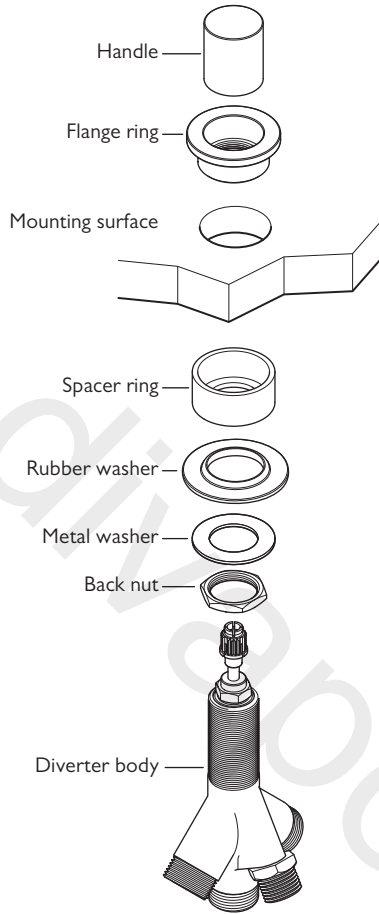


Note: Balanced pressures shown are applied directly to the hot and cold inlets; flow rates indicated are free flowing and may vary subject to restrictions created by installation, pipework, layout or application.

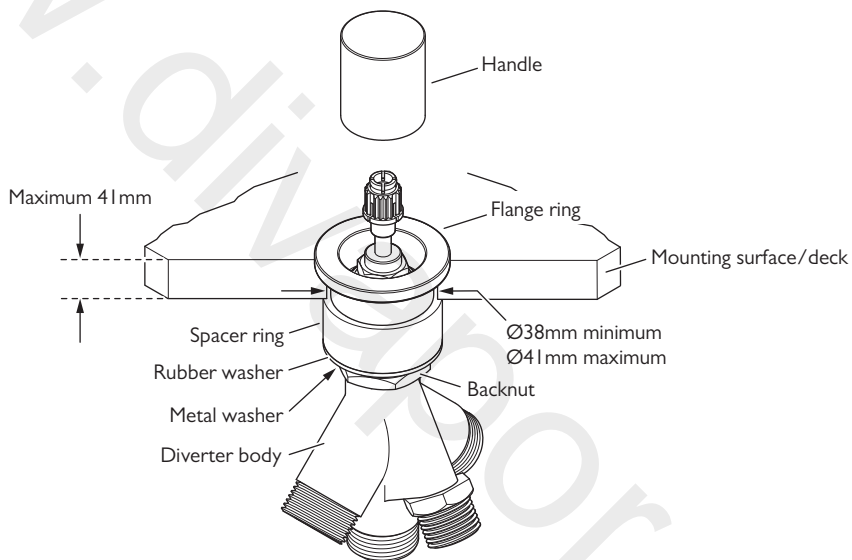
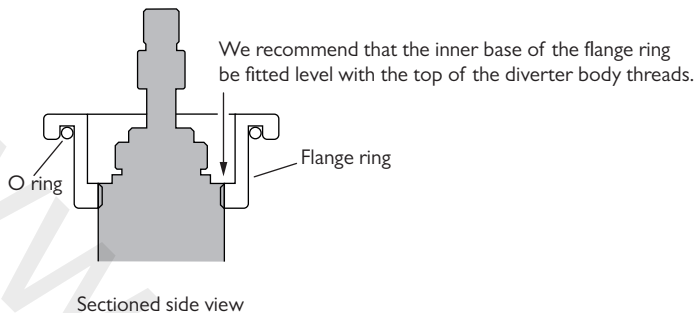
DIMENSIONS



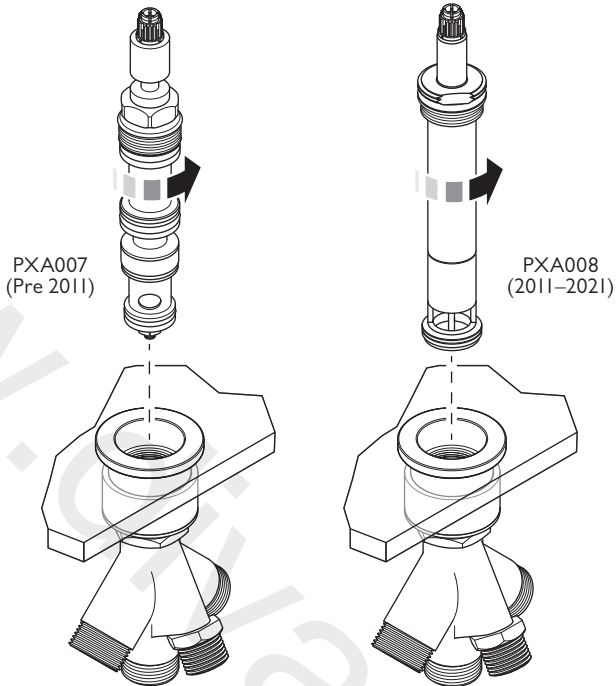
INSTALLATION



- 1 Where necessary drill a $\text{Ø}38\text{--}41\text{mm}$ hole in the mounting surface. The maximum mounting surface thickness is 41mm.
- 2 Support the diverter body then pull the handle clear of the body.
- 3 Unscrew and remove the flange ring.
- 4 Remove the spacer ring (If not required). The spacer ring is only required if the mounting surface is less than 16mm thick.
- 5 Locate the diverter body through the hole in the mounting surface.
- 6 Screw the flange ring onto the diverter body. We recommend that the inner base of the flange ring and the top of the diverter body threads are aligned as in the image opposite.
- 7 Tighten the backnut to secure.



SERVICING – CARTRIDGE REPLACEMENT (PRE MARCH 2021)



- 1 Isolate the water supply and drain the system as required.
- 2 Grasp the handle and pull firmly in a straight line clear of the diverter.
- 3 Using a 17mm socket unscrew and remove the cartridge.
- 4 Check inside the diverter body for any debris or limescale. Wipe clean as required.
- 5 Screw a new ceramic cartridge into the diverter body and tighten using a 17mm socket.
- 6 Open the water supply.
- 7 Check for leaks.
- 8 Replace the lever.
- 9 Check the operation of the cartridge.

SERVICING – (POST MARCH 2021)

In March 2021 the internal design of the diverter changed. Subsequently the diverter cartridge is no longer available as a separate replacement part. It now forms part of the diverter body assembly.

Diverter body assembly replacement part: PXA010.



CONTRACT ENQUIRIES

+44 (0)1992 708 316

info@lefroybrooks.co.uk

CUSTOMER SERVICE, SPARES & TECHNICAL ENQUIRIES

+44 (0)1902 390 894

technical@lefroybrooks.co.uk

LEFROYBROOKS.CO.UK

Whilst every effort is made to ensure the accuracy of these, they are subject to change without notice as part of the company's product development process. The use of trademarks, product design and artwork is subject to licence or agreement with LBIP Ltd. The design registrations, trademark registrations and copyrights are protected by law and the use or reproduction outside the terms of an agreement is prohibited. The right to modify designs and dimensions is reserved. LBIP Ltd is a member of ACID (Anti Copying in Design). E&OE