

4

First shut off your heating system then, with your mains stop cock closed, open the Lowest hot and cold taps in the house and allow to run until the cold storage tank and pipes are empty (the hot water storage cylinder airways remains full). Where combination boilers are fitted it is only necessary to turn off the boiler and shut off the incoming mains. Fitting isolating valves to the inlet feeds is recommended for ease of maintenance.



Remember to turn off the mains water supply before connecting to any existing pipe work. Flush the piping with plenty of water prior to installation.

SPOUT

- Screw up the two flex tails (1) to the spout body, taking care to tighten well.
- Screw the threaded screws (3) into the body mixer, insert the o'ring (2) under the base of the mixer.
- Then, insert the mixer in the hole from above the basin, making the flex tails pass through first.
- Working below the basin, insert the specifically shaped rubber gasket (4) and the metallic insert (5) in the threaded screws (3).
- Tighten the nut (6) on the threaded fitting (3) taking care to correctly position the mixer onto the basin.

HANDLE

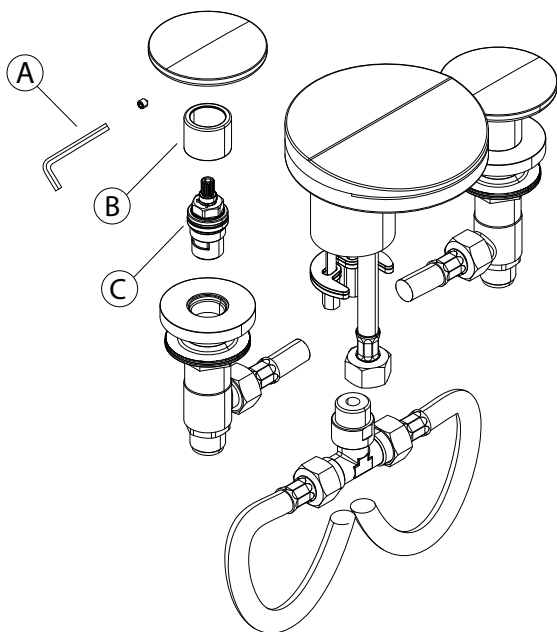
- Working under the basin, screw the fixing nut (7) into tap body (8), insert the flange (9) and gasket (10), then place the handle body under the hole of basin.
- Working under the basin, insert the gasket (11) under the handle basin (12) and screw it onto the tap body. Screw the valve cover (13) and fix the handle (14) with an allen key.
- Connect the flex tails at the tap body (15) and at the filters (not supplied), then connect to the water system.

5



WO130DNC

The chrome plate we use on our taps is very durable, nevertheless care should be taken when cleaning them. They should be cleaned only with warm soapy water followed by rinsing with clean water and drying with a soft cloth. All finishes are vulnerable to acid attack and some strong substances such as household cleaners, disinfectants, denture cleaners, hair dyes, wine making and photographic chemicals can cause the surface to go black or peel.



CLEANING THE CARTRIDGE

The concealed valve should give trouble free service, but in the event of any problems, servicing is straight forward. First shut off the water supply to the tap. With an allen key (A) loosen the grub screw in handle, but do not remove it. Remove the handle and unscrew the valve cover (B) and carefully using a correct size spanner unscrew the valve (C). Wash the valve with clean running water and make sure that any trapped debris have been removed. Dry and lightly grease the seals (only use silicone grease) and replace the valve, retaining nut, valve cover followed by the handle.

6

7



