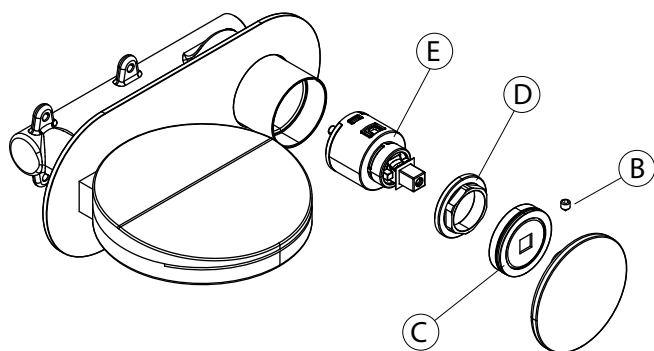


4

WO121WNC



CLEANING - REPLACE THE CARTRIDGE

In the event of any problems, servicing is straight forward.
 First shut off the water supply to the tap. With an allen key 2,5mm loosen the grub screw (B) in handle, but do not remove it. Take off the handle, unscrew and the cartridge cover (D), carefully using a correct size spanner unscrew the retaining nut (E) and remove the cartridge (F). Replace or wash the cartridge with clean running water and make sure that any trapped debris have been removed. Dry and lightly grease the seals (only use silicone grease) insert the cartridge, screw retaining nut, cartridge cover followed by the insert and handle.
CAUTION: retaining nut (E), must be screw with a torque of 10/11Nm, in case of incorrect tighten, the mixer can be damaged.

6

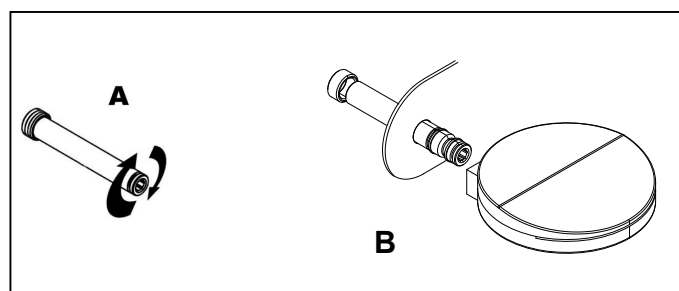


First shut off your water heating system then, with the mains stop cock closed, open the lowest hot and cold taps in the house and allow to run until the cold storage tank and pipes are empty (the hot water storage cylinder airways remains full). Where combination boilers are fitted it is only necessary to turn off the boiler and shut off the incoming mains. Fitting isolating valves to the inlet feeds is recommended for ease of maintenance. Flush the piping with plenty of water prior to installation.

INSTALLATION

- Decide on a suitable position for the Mixer where all users can operate; determine the route for the incoming cold-hot supply pipe work. Mark an opening sufficient to accommodate the mixer body, for dimensions refer to template (see pag. 3).
- Install the hot and cold supply with ½" pipe connection to the tap body and ensure precise horiz/vertical alignment with a spirit level.
- Don't remove plastic cover (2) on the built-in tap, until the wall is completely finished; when tiles have set, remove the plastic cover.
- Installation spout: screw and seal the fitting (A) in the water outlet connection on the wall, insert the concealing plate, smooth side against the wall, insert the spout and tighten it with the grub screw (B).
- Set the handle in position and secure it with the grub screw, and relace the cap.

INSTALLATION SPOUT



5

The chrome plate we use on our taps is very durable, nevertheless care should be taken when cleaning them. They should be cleaned only with warm soapy water followed by rinsing with clean water and drying with a soft cloth. All finishes are vulnerable to acid attack and some strong substances such as household cleaners, disinfectants, denture cleaners, hair dyes, wine making and photographic chemicals can cause the surface to go black or peel.

7

