

Customer/technical services

For any technical or installation queries please contact Vado on 01934 745163.

Guarantee

This product is guaranteed against manufacturing defects from the date of purchase until the expiry of the relevant guarantee period shown below.

The guarantee is only valid if:-

1. The product has been installed, used and maintained in accordance with Vado's instructions and subjected to normal use only.
2. The defect is not due to use of an unsuitable or inadequate water or power supply.
3. The defect is not due to accident, misuse, neglect or repair other than by Vado or Vado authorised agents or damage caused by foreign objects or substances.
4. We have received from you the completed Guarantee Registration Form. Vado accepts no responsibility for any forms lost in the post and returns by registered means is therefore recommended.

Under this guarantee (which is non-transferable) Vado will, at its option, repair or replace free of charge any product (or replacement part) found to be defective. The guarantee does not extend to any consequential loss or damage. After repair or replacement the relevant guarantee period will be calculated from the original date of purchase.

The relevant guarantee periods are:-

1. Twelve years on chrome finish products.
2. Six years on Vado Identity products.
3. Three years on all other products with the exception of Stuart Turner Pumps which carry a 2 year Guarantee on Monsoon Range and 1 Year Guarantee on Showermate Range.

All claims under the guarantee must be submitted in writing to the person who supplied the product to you and must be received no later than the last day of the relevant guarantee period. All claims must be accompanied by proof of purchase (sales receipt or delivery note).

Vado operates a policy of continuous product development and therefore reserves the right to change the product, packaging and documentation specifications without notice.

This guarantee is in addition to and does not affect your statutory rights as a consumer.

Vado

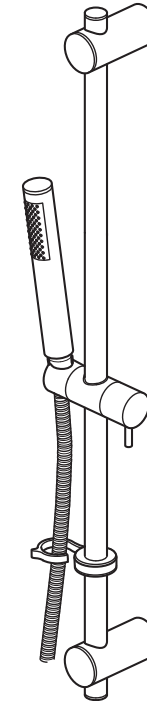
Wedmore Road, Cheddar, Somerset, England BS27 3EB
tel 01934 744466. fax 01934 744345
technical@vado-uk.com
www.vado-uk.com

GUARANTEE REGISTRATION

| | | | | |
|----------------------------|----------------|-----------|---------|------|
| NAME | | | | |
| ADDRESS | | | | |
| | POSTCODE | | | |
| RETAILER | | | | |
| ADDRESS | | | | |
| | POSTCODE | | | |
| PURCHASE DATE | ARTICLE NUMBER | (SEE BOX) | | |
| PRODUCT DESCRIPTION | | | | |
| WHO INSTALLED THE PRODUCT? | RETAILER | PLUMBER | BUILDER | SELF |
| FOR VADO USE | | | | |
| | | | | |



Installation & maintenance instructions



watergames venus

Single function slide rail kit

Please leave these instructions with the customer

Important - please read

Please read these instructions carefully before starting installation and keep for future reference.

Remove all packaging and check the product for missing parts or damage before starting installation.

Any alterations made to this product and fittings may infringe water regulations and will invalidate the guarantee.

The installation must comply with all Local/National Water Supply Authority Regulations/Byelaws and Building and Plumbing (UK:BS6700) Regulations.

We strongly recommend that you use a qualified and registered plumber.

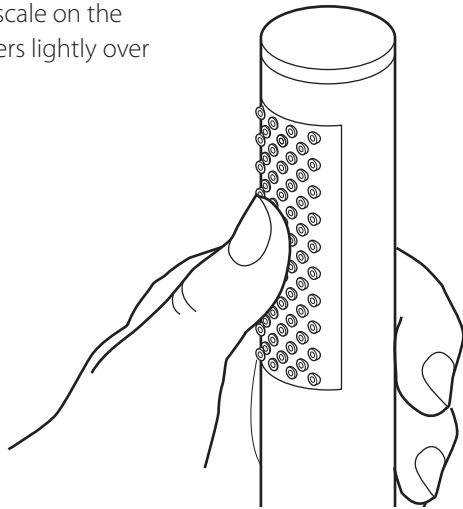
Care of the riser rail

Our products are finished to the highest standard and due care needs to be taken to ensure their looks are retained.

We recommend cleaning all products with a soft damp cloth ONLY and advise strongly against the use of ALL cleaning products i.e. powders and liquids.

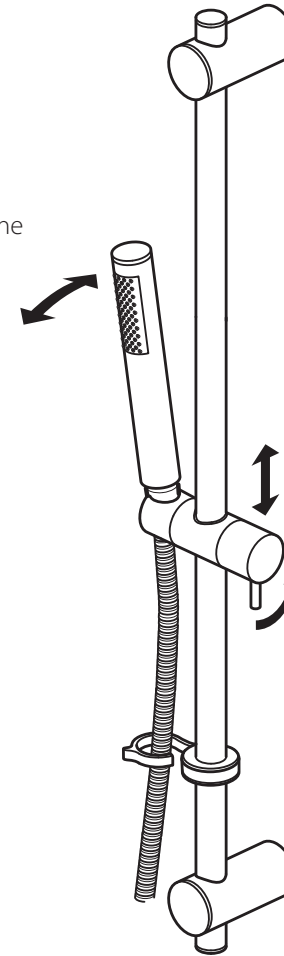
If the above instructions are not followed this will invalidate your guarantee in the event of a problem occurring.

To remove any build up of limescale on the shower head, just rub your fingers lightly over the nozzles.



Operation

Angle the handset to the required position.



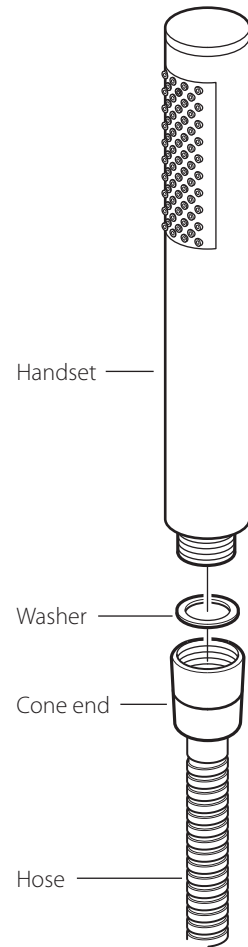
To adjust the height of the shower head release the handle, move to the required position and retighten.

Installation - hose

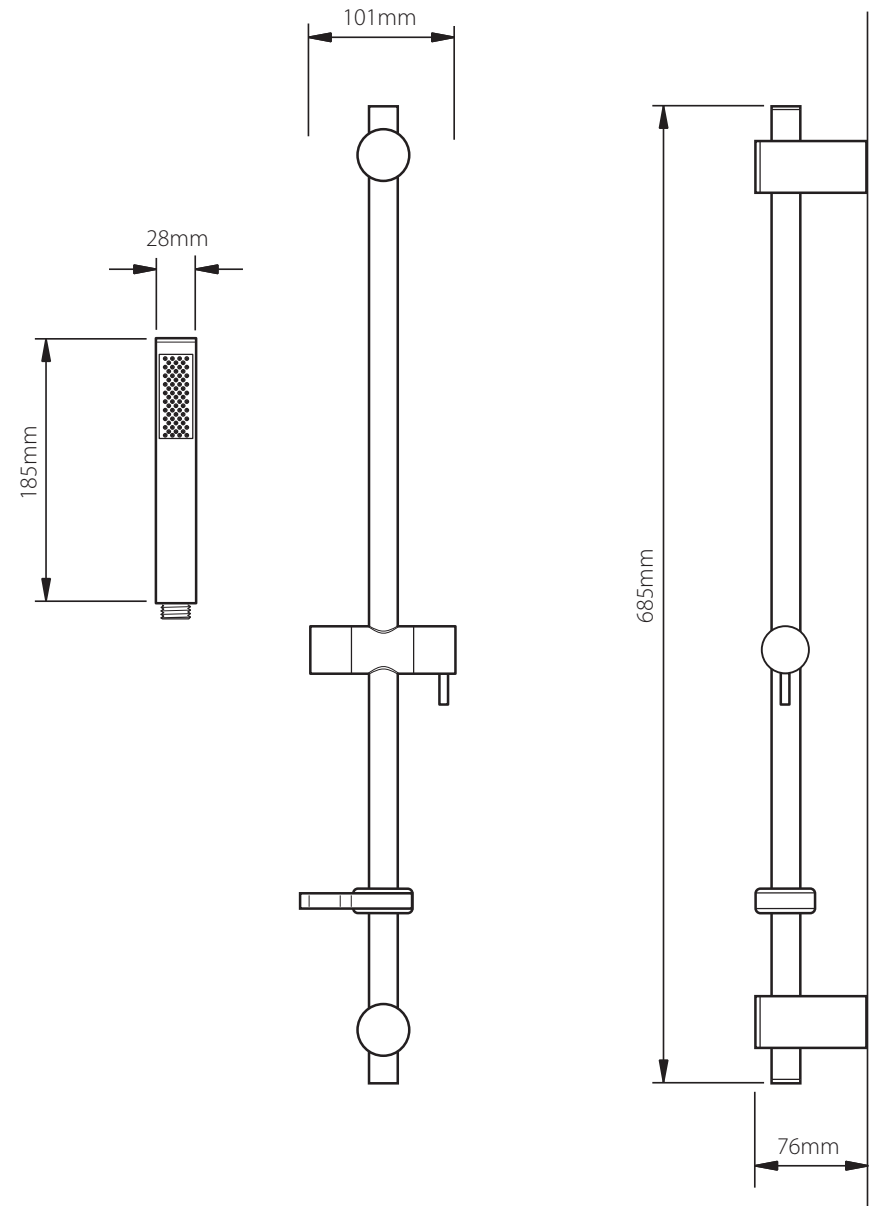
Handset

Place one of the rubber washers into the cone end of the hose and pass through the hose retainer then screw to the handset.

Place the second rubber washer into the other end of the hose and attach it to the mixer outlet.



Dimensions



Installation - riser rail

⚠ Warning! Please check for any hidden cables and pipes before drilling holes in the wall.

Pull off the covers to both brackets. Slide a bracket onto each end of the riser rail leaving a clearance of 25mm top and bottom between the top and bottom of the rail and the bracket.

Position the rail on the wall, bearing in mind the different heights of people likely to use the shower.

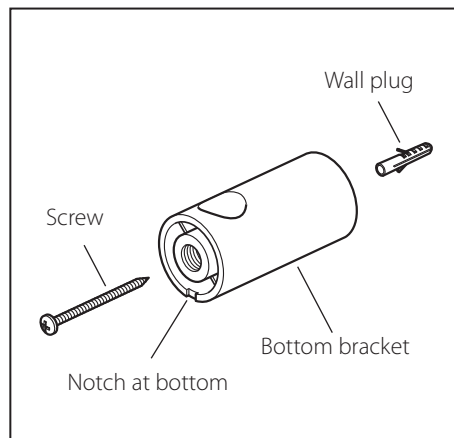
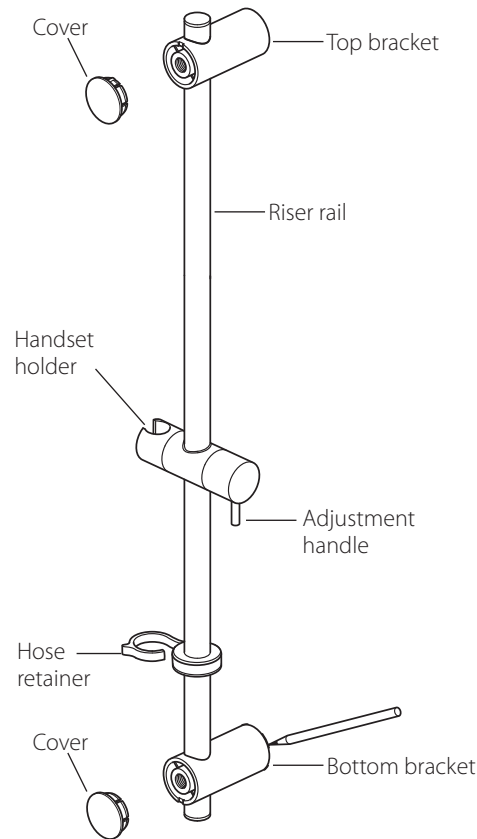
Make sure that the riser rail is vertical using a level. Mark the wall to indicate the position of both brackets and remove.

Remove the brackets from the rail.

Using a 6mm drill bit for the wall plug, drill the wall at the centre of the marked position.

Note: If fixing through tiles use masking tape to stop the drill from slipping and push the head of the plug in through pass the tile.

Fix the brackets in position using the supplied wall plug and screw make sure that the notch is at the bottom on the bottom bracket and opposite at the top.



Installation - riser rail

Push the riser down through the bottom bracket and then up through the top, make sure that hose retainer is at the bottom and the riser is equally spaced.

Place a rubber plug into the screw hole, followed by the screw. Tighten the screw to secure the riser in position, be careful not to overtighten the screw and damaged the bracket.

Finally push on the cover.

