

SPECIFICATION SHEET

COLLECTION:

PRODUCT CODE: WG-MERCURYKIT-C/P



DESCRIPTION:

multi function shower kit
with 580mm slide rail
with integral overhead handset mount
with anti-twist shower hose
without outlet elbow
minimum operating pressure 1.0 bar MP

FINISH:

Chrome

FLOW REGULATOR:

FR-SHOWER/9-C/P

MINIMUM OPERATING PRESSURE:

1.0 bar MP



tel: 01934 744466
email: sales@vado.com
www.vado.com

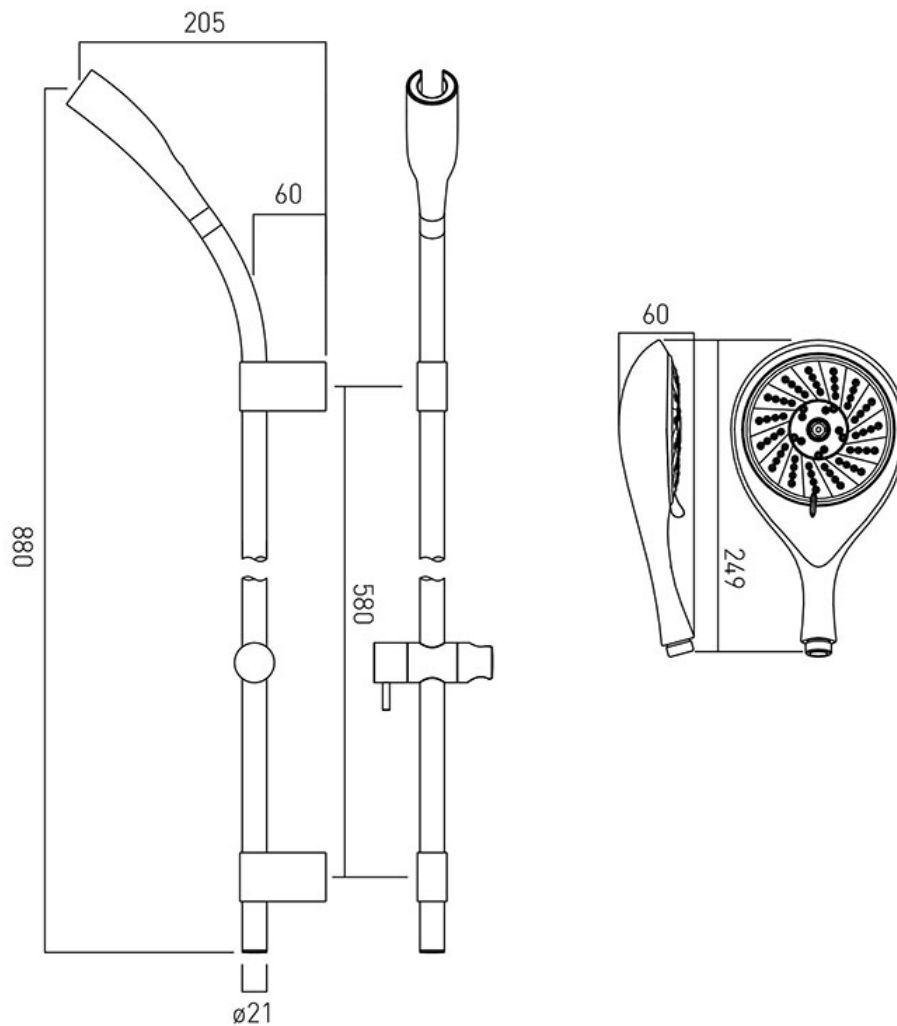
where inspiration flows
taps | showering | accessories



TECHNICAL DRAWING

COLLECTION:

PRODUCT CODE: WG-MERCURYKIT-C/P



tel: 01934 744466
email: sales@vado.com
www.vado.com

where inspiration flows
taps | showering | accessories

