

AFTERCARE INSTRUCTIONS

Your fitting has a high quality finish and should be treated with care to preserve the visible surfaces.

All surface finishes will wear if not cleaned correctly, the only safe way to clean your mixer is to wipe with a soft damp cloth. Stains can be removed using washing up liquid. All bath cleaning powders and liquids will damage the surface of your fitting, even the non-scratch cleaners. **NOTE: Never use abrasive detergents or disinfectants or those containing alcohol, hydrochloric acid or phosphoric acid.**

Bristan recommend E-Cloth for cleaning all of our bathroom & kitchen products. Using just water, E-cloth gives a smear free, deep clean by breaking up and holding dirt, which normal cloths leave behind. Order through your Bristan stockist. (ORDER CODE: ECLOTH)



GUARANTEE

All products are manufactured to the highest standards and a 5 year guarantee covers any defect in manufacture.

NOTE: The 5-year guarantee on the cartridge is invalidated if damaged by any waterborne debris.

All products must have access for servicing or replacement during the life of the product.

In the interests of continuous product development we reserve the right to alter specification as necessary

PRODUCT CODE:

PRODUCT IDENTIFICATION CODE LASER ETCHED ON PRODUCT
Installer please fill in code here _____.(Where applicable)

TELEPHONE HELPLINE! +44 (0)844 701 6273

Bristan Group Limited
Birch Coppice Business Park
Dordon
Tamworth
Staffordshire
B78 1SG
UK
A Masco Company
Website: www.bristan.com
Telephone: +44 (0) 844 701 6274
Facsimile: +44 (0) 844 701 6275

BRISTAN

Monobloc Basin or Bidet Mixer

Fitting Instructions & Contents List



Before starting any installation project, consider 'safety' first. Look for the 'safety note' and read the safety advice.

Please keep these instructions for future reference and request of replacement part

CONTENTS

<u>Description</u>	<u>Pages Numbers</u>
Water Pressure VAC BAS C MT, VAC BAS C NH, VAC DFBAS C MT, VAC DFBAS C NH - Diagram & Contents	1
VAC BID C MT - Diagram & Contents	2
VAL BID C CD - Diagram & Contents	3
VAL BAS C CD - Diagram & Contents	4
Installation & Maintenance	5
	6

WATER PRESSURE

This mixer is suitable for use at all supply pressures. However for optimum use both the hot and cold supplies should be reasonably balanced.

Operating Pressures: Min 0.2 bar, Max 7.0 bar.

If the fitting is installed at low pressure (tank fed), then the minimum distance from the highest installed position of the shower head to the underside of the cold tank should be 2 metres to ensure adequate shower performance.

This mixer should be installed in compliance with the Water Regulations. Where the supplies are unbalanced, i.e. hot water from cylinder tank / cold from the mains, approved check valves must be fitted in the supply pipes.

For further details contact your Local Water Authority.

IMPORTANT - PLEASE READ

This fitting needs to be installed in accordance with the following Installation Requirements and Notes (IRN) to ensure they meet the requirements of the Water Supply (Water Fittings) Regulations 1999 and the Scottish Byelaws 2004.

IRN R001

See text of entry for Installation Requirements or Notes.

IRN R006

This tap or combination tap assembly has a Type AUK3 air gap and is therefore for installation in any premises to protect against a backflow risk up to a Fluid Category 5.

IRN R010

Schedule 2-15 (1)

Water supplies shall be at reasonably balanced pressures from a common source (e.g. hot and cold supplies both from the same storage or both from a supply pipe). Where the fitting is supplied from unbalanced supplies (e.g. hot and cold supplies from separate sources) a '**Listed**' **single check valve** or some other no less effective backflow prevention device shall be fitted immediately upstream of both

Before starting any installation project please consider:

Prior to drilling into walls, check there are no hidden electrical wires, cables or water supply pipes with the aid of an electronic detector. If you use power tools do not forget:



- Wear eye protection
- Unplug equipment after use

INSTALLATION

1. Identify all components and check for completeness, particularly before arranging fitting.
2. Fit the mixer body to the basin/bidet using the 'C' plate fixing kit. The full rubber washer goes between the fitting and the basin/bidet, and the 'C' shaped rubber and metal washers on the underside of the basin/bidet, to be secured by the nut and the threaded rod.
3. Fit the tail pipes to the fitting and connect the hot and cold supplies. **DO NOT OVERTIGHTEN.** Soft copper tails can be carefully bent and cut to length to meet supply pipes.
4. Fit the pop up waste, with the flat washer below and the shaped washer above the basin/bidet. It is recommended that a silicon sealant be applied to both sealing faces of washers. The plug height can be set by, adjusting the waste rod and operating bracket and the screw in the base of the plug. Friction for the waste mechanism can be adjusted using the waste body cap.
5. Fully open both valves, letting them run for a few minutes to flush out the system and check all joints and connections for leaks.
6. See over the page for aftercare instructions.

N.B. Please write the name and product code of your fitting in the spaces provided overleaf. This will ensure a speedier service if you should need to phone the help line.

MAINTENANCE

Sureflow type valves: - If the fitting self-opens

1. Remove fitting head.
2. Tighten gland nut on top of valve.

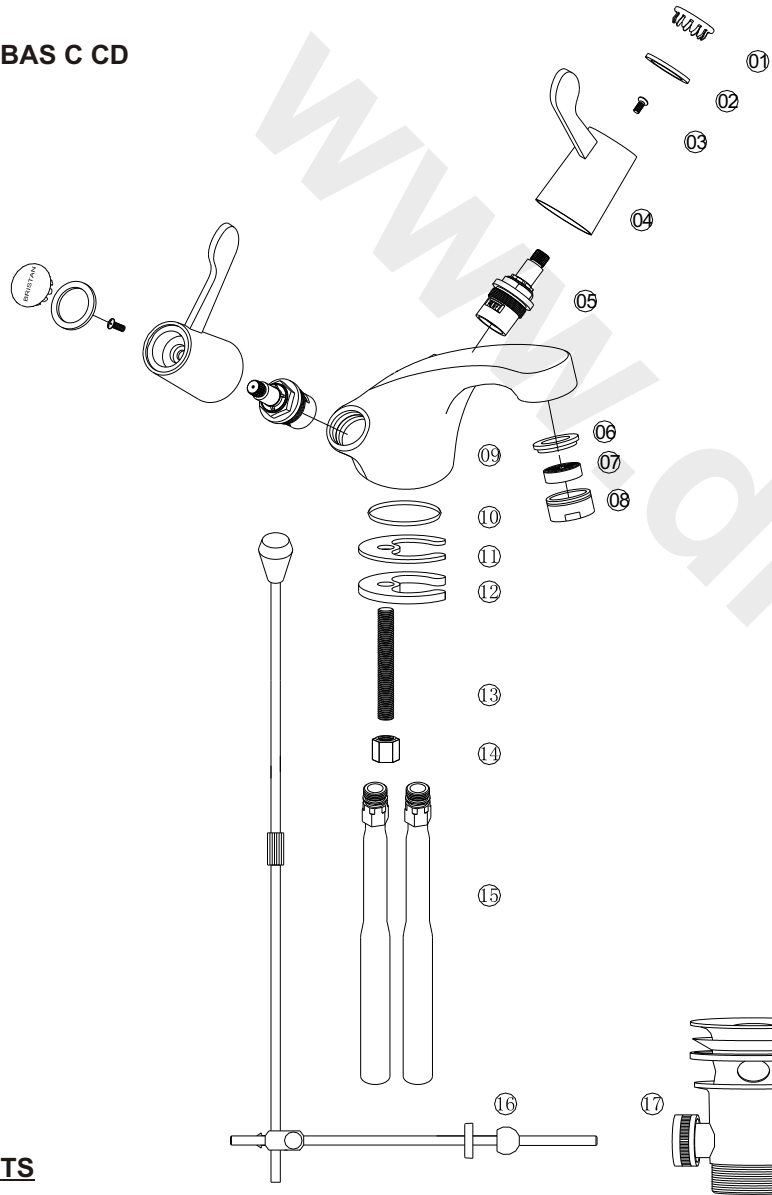
Traditional type valves: - If the fitting leaks from the spindle

1. Remove fitting head (if necessary).
2. Tighten gland nut on top of valve.

All valve types: - If the fitting begins to drip

1. Turn off the water supply.
2. Remove fitting head and valve.
3. Carefully clean seating and rubber washer.
4. Replace valve and turn on the water supply.
5. Contact our helpline if problem persists.

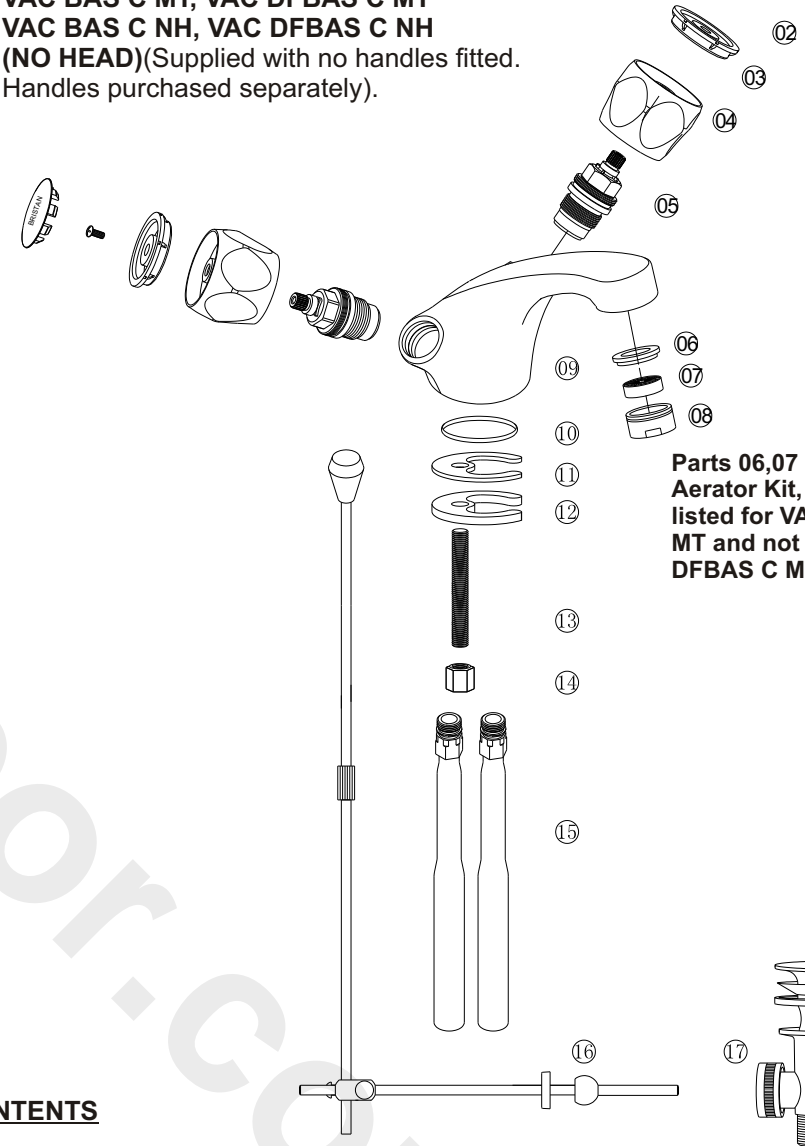
VAL BAS C CD



CONTENTS

- HANDLE & INDICE KIT (01-04)
- CARTRIDGE (05)
- AERATOR KIT (06-08)
- VALVE BODY (09)
- CLAMPING KIT (10-14)
- INLET TAIL KIT (15)
- POP-UP WASTE (16)
- ASSEMBLY KIT (16-17)

**VAC BAS C MT, VAC DFBAS C MT
VAC BAS C NH, VAC DFBAS C NH
(NO HEAD)(Supplied with no handles fitted.
Handles purchased separately).**

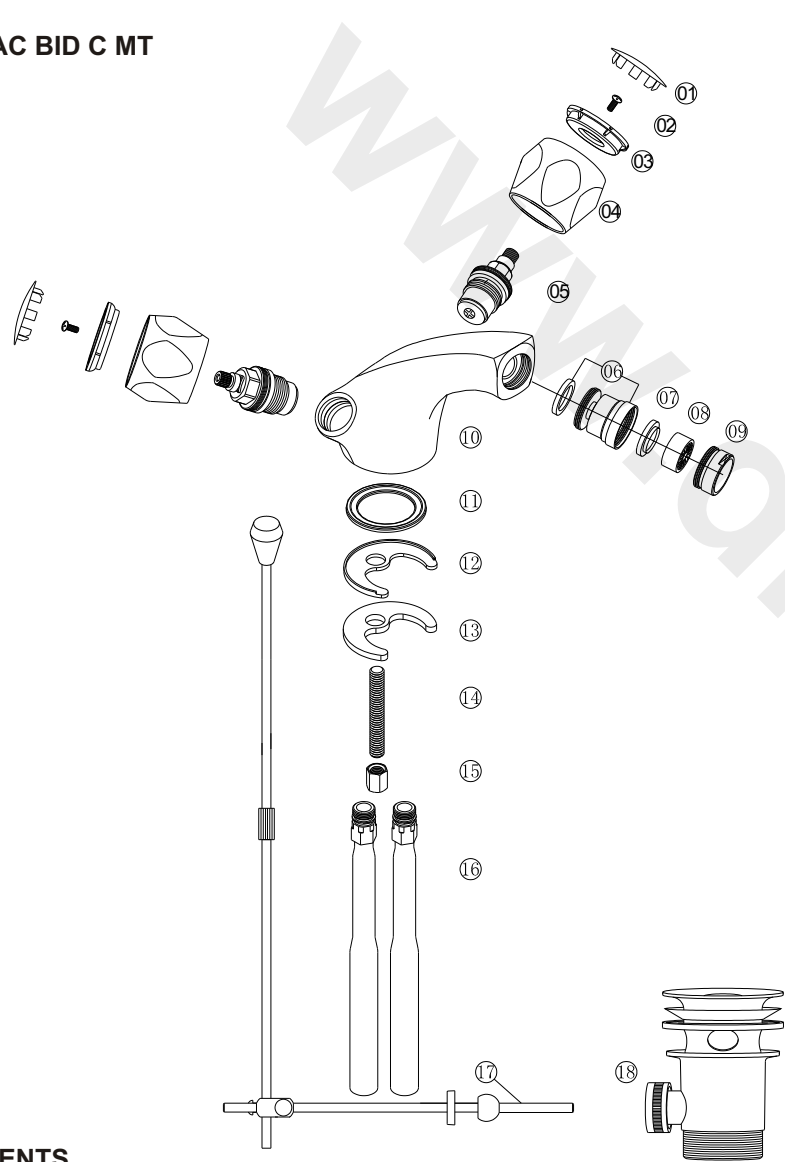


**Parts 06,07 and 08
Aerator Kit, are just
listed for VAC BAS C
MT and not for VAC
DFBAS C MT.**

CONTENTS

- HANDLE & INDICE KIT (01-04)
- CARTRIDGE (05)
- AERATOR KIT (06-08)
- VALVE BODY (09)
- CLAMPING KIT (10-14)
- INLET TAIL KIT (15)
- POP-UP WASTE (16)
- ASSEMBLY KIT (16-17)

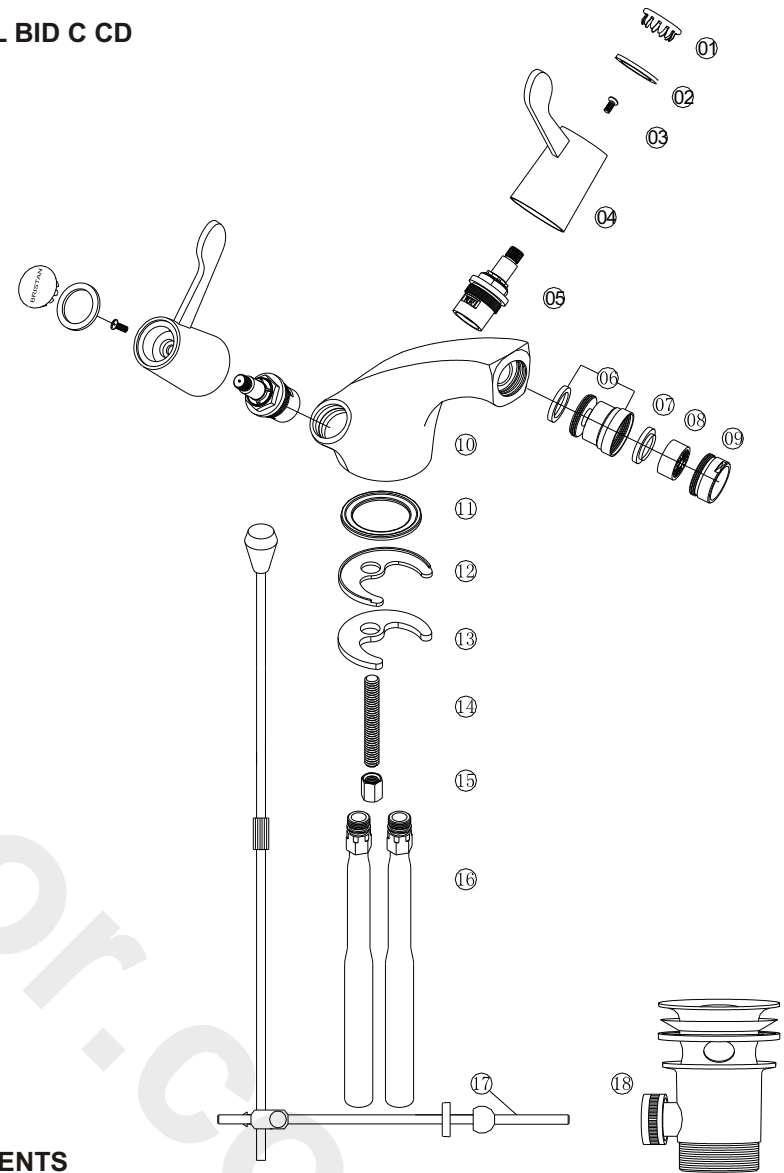
VAC BID C MT



CONTENTS

- HANDLE & INDICE KIT (01-04)
- CARTRIDGE (05)
- AERATOR KIT (06-09)
- VALVE BODY (10)
- CLAMPING KIT (11-15)
- INLET TAIL KIT (16)
- POP-UP WASTE (17)
- ASSEMBLY KIT (17-18)

VAL BID C CD



CONTENTS

- HANDLE & INDICE KIT (01-04)
- CARTRIDGE (05)
- AERATOR KIT (06-09)
- VALVE BODY (10)
- CLAMPING KIT (11-15)
- INLET TAIL KIT (16)
- POP-UP WASTE (17)
- ASSEMBLY KIT (17-18)