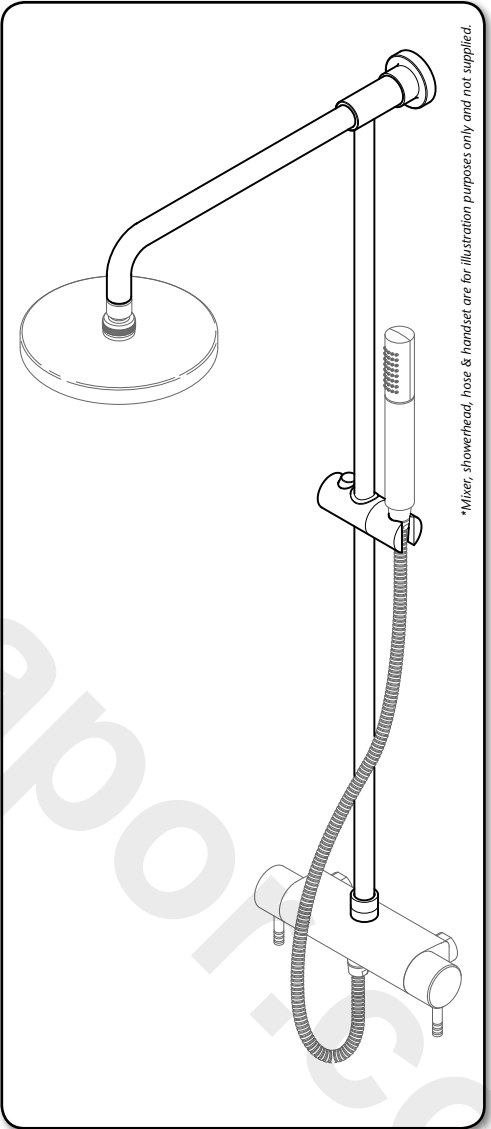


## **Fixed riser rail kit**

## **Installation and operating instructions**

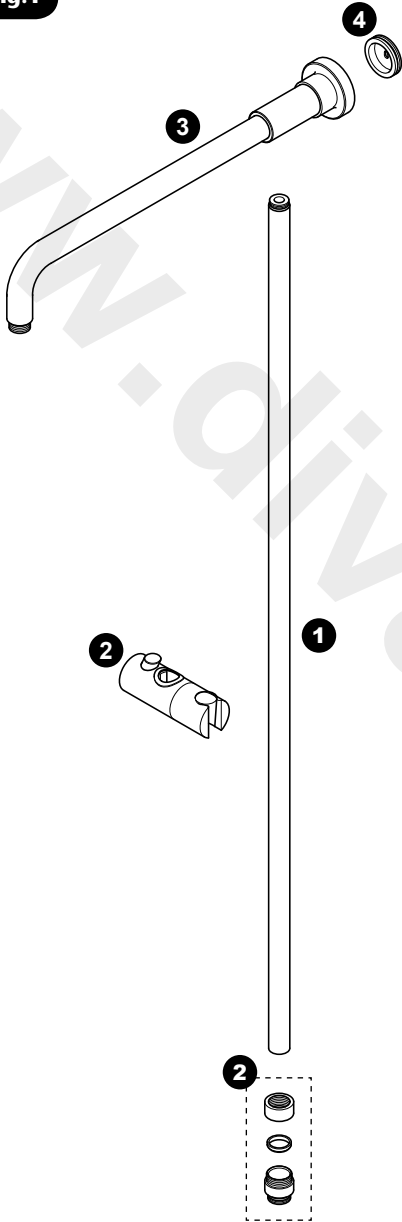


\*Mixer, showerhead, hose & handset are for illustration purposes only and not supplied.

INSTALLERS PLEASE NOTE THESE INSTRUCTIONS ARE TO BE LEFT WITH THE USER

## MAIN COMPONENTS

Fig.1



### Ref. Description

1. Rigid riser rail pipe
2. Handset holder
3. Fixed spray arm
4. Arm mounting plate
5. Collar & outlet assembly

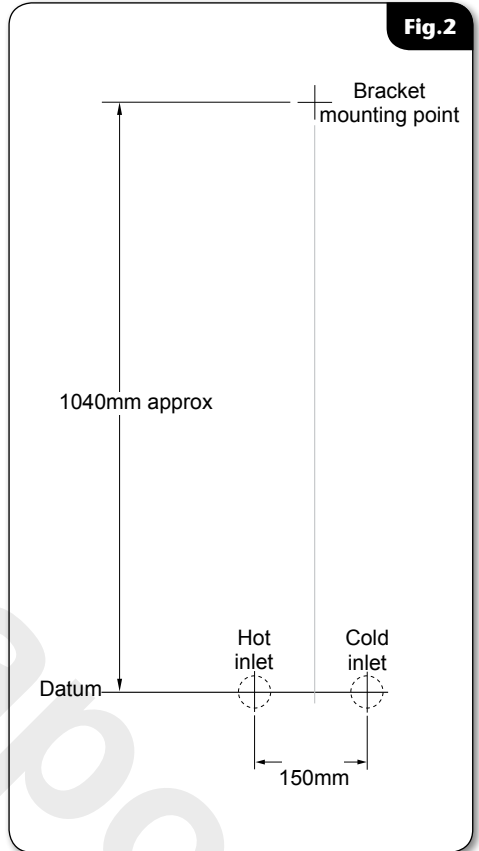
## FITTING

### FITTING THE RISER PIPE/FIXED HEAD

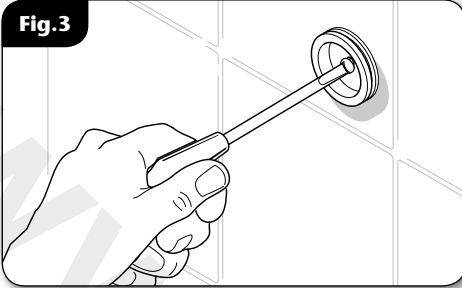
- Mark the centre hole for the fixed head mounting bracket at a height of 1040mm (approx) from the inlet datum (**fig.2**).

**Note:** *The elongated hole in the mounting bracket allows for a small amount of adjustment.*

- Drill and plug the wall. (An appropriate drill bit should be used. If the wall is brick, plasterboard or a soft building block, appropriate wall plugs and screws should be fitted).



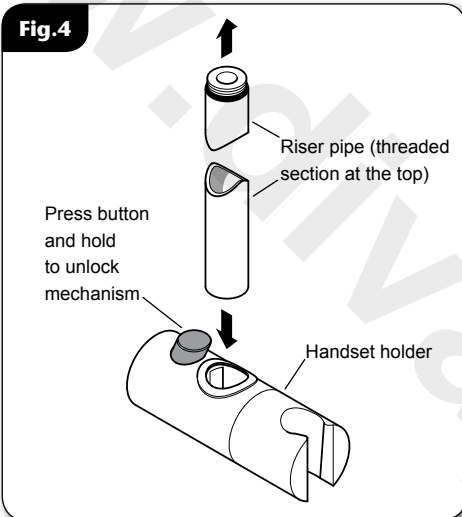
**Fig.3**



**WARNING!**

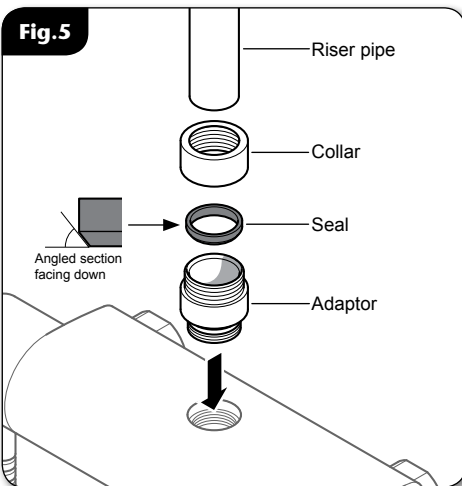
**Check there are no hidden cables or pipes before drilling holes for wall plugs. Use great care when using power tools near water. The use of a residual current device (RCD) is recommended.**

**Fig.4**



- Secure the arm mounting plate to the wall (**fig.3**).
- If the handset holder is required, depress the button on the handset holder (**fig.4**), slide the holder onto the pipe. The threaded section of the riser pipe should be at the top.
- Screw the fixed showerhead arm to the top of the riser pipe.
- Install the adaptor into the top outlet of the mixer. Slide the base of the riser pipe into the adaptor (**fig.5**), making sure the sealing washer and locking collar are in place. Do not fully tighten the collar at this time.
- Fit the rear section of the fixed arm over the mounting plate, but do not fully tighten the grub screw at this time. (**fig.6**).
- Adjust the riser pipe position to suit.
- Once correctly positioned, lock the diverter collar. Finger tight should be sufficient.

**Fig.5**



**Note:** *There is a small amount of depth adjustment within the collar. Adjust the depth of the bracket before securing in place to the mounting plate.*

- Using a suitable allen key, secure the fixed arm in place by tightening the locking screw.

## FITTING

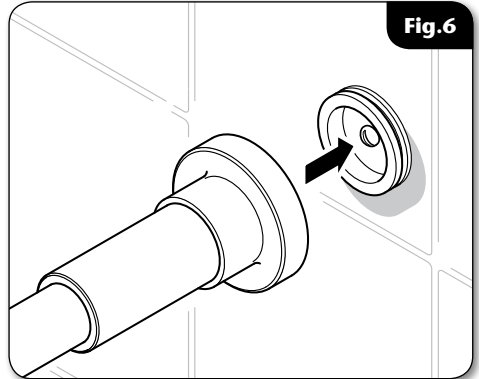
### **\*Fitting the fixed showerhead (not supplied)**

- Screw the fixed head (**fig.7**) to the fixed spray arm. Make sure the sealing washer is in place and screw tight to seal the joint.

### **\*Fitting the hose and handset (not supplied)**

- Connect the one end of the flexible hose to the bottom outlet connector (**fig.8**) on the mixer valve and the other end to the handset, making sure that the seals are in place. Carry out a Leak Test.

**IMPORTANT:** *It is the conical end of the hose which grips into the holder. The showerhead will not fit in the holder without the hose attached.*



## LEAK TESTING

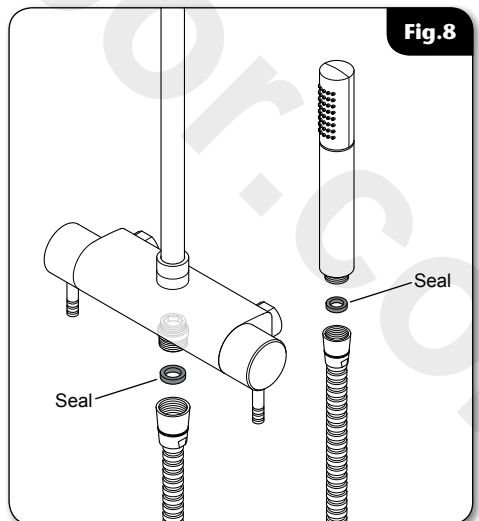
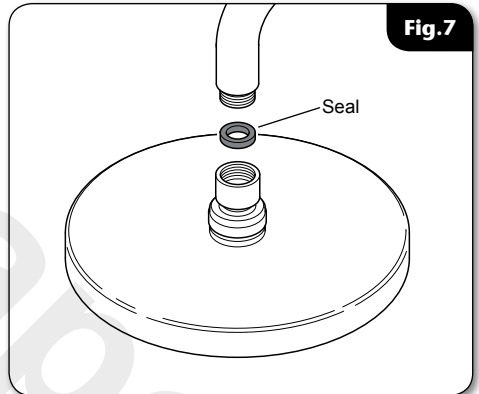
Fit the hose to the outlet and direct it to waste. Open the supplies and test for leaks in the valve connections. Remedy any leaks if necessary

**CAUTION:** *Exposed metal surfaces may become hot during use.*

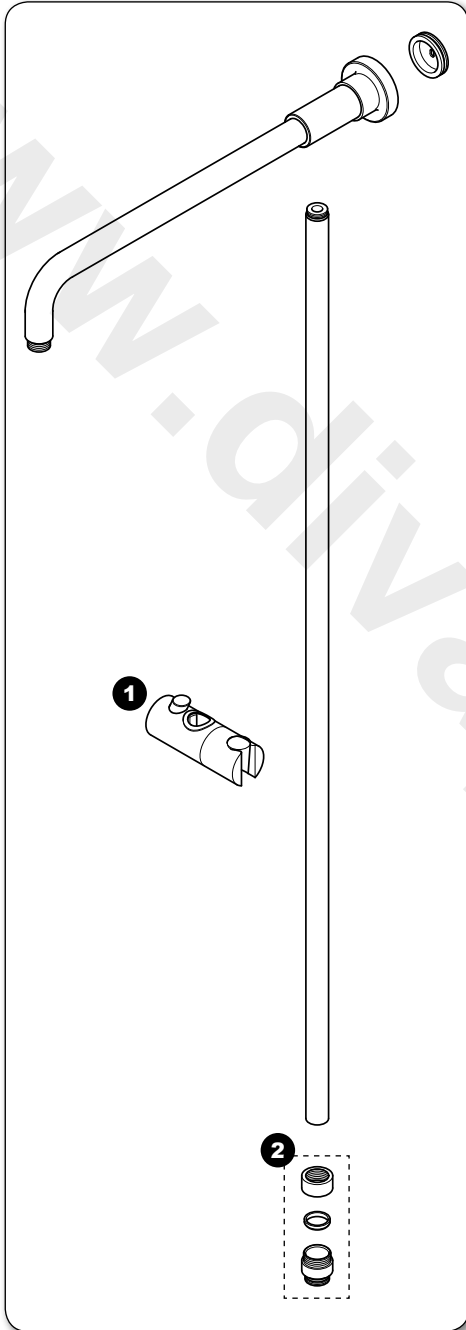
## CLEANING

It is recommended that all products are cleaned using warm, soapy water.

**DO NOT use abrasive or aggressive chemical cleaning products as this may affect the product surface finish and invalidate your guarantee.**



## SPARE PARTS



### Ref. Description

### Part No.

- | Ref. | Description                   | Part No. |
|------|-------------------------------|----------|
| -    | Kit complete .....            | 88400003 |
| 1.   | Handset holder .....          | 83308810 |
| 2.   | Collar & outlet assembly..... | 83311520 |

## DIMENSIONS

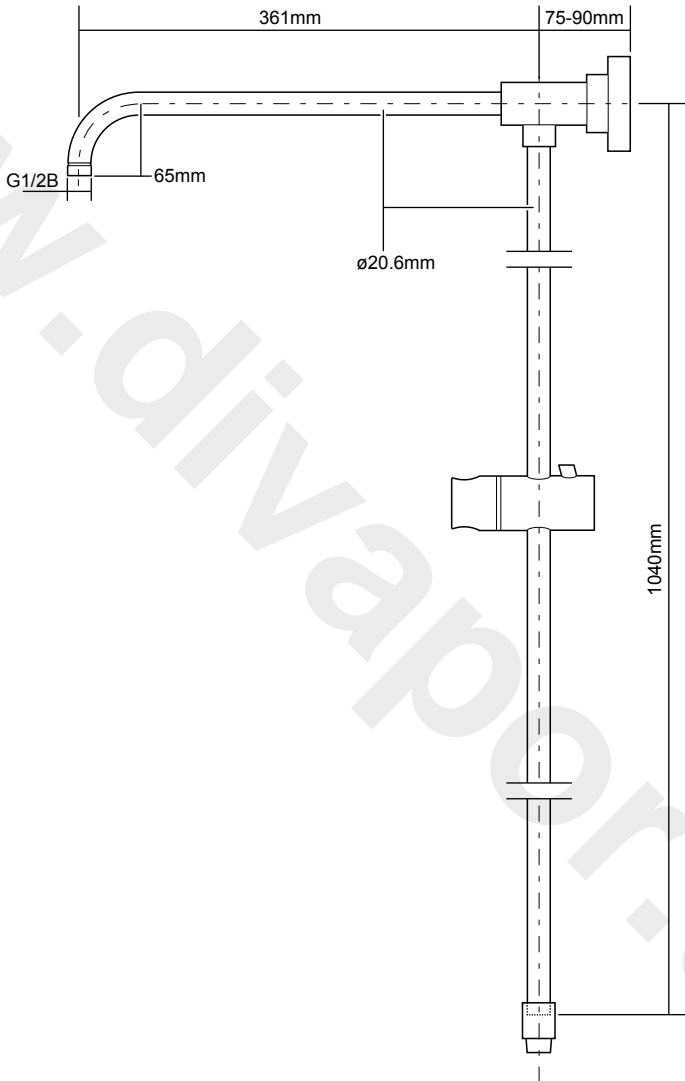


Illustration not to scale.

All dimensions listed in this fitting book regarding the product and installation are approximate.

[www.divapor.com](http://www.divapor.com)

**Please refer to shower installation and operating instructions for service details.**