

TY BAS C

TRINITY Tap Range

Trinity Mono Basin Mixer With Pop Up Waste Chrome



Specification	
Style:	Traditional
Product Type:	Bathroom Taps
Finish/Colour:	Chrome
Main Construction Material:	Brass
Mount Type:	Deck Mounted
Handle Type:	Cross Head
Connection Inlet:	M12 x 15mm Screw-in Copper Pipes
Number of Tap Holes Required:	1
Valve/Cartridge Type:	1/2" Standard Valves
Plumbing System Suitability	All
Working Pressure Range:	Min. 0.2 bar, Max. 5.0 bar
Maximum Hot Water Temperature: °c	65
Maximum Dynamic Pressure: (bar)	5
Maximum Static Pressure: (bar)	10
Flow Type:	Single
Flow Rate: (l/min @ 3 bar)	76.4
Connection Outlet:	M24 Antisplash
Isolation Included:	No

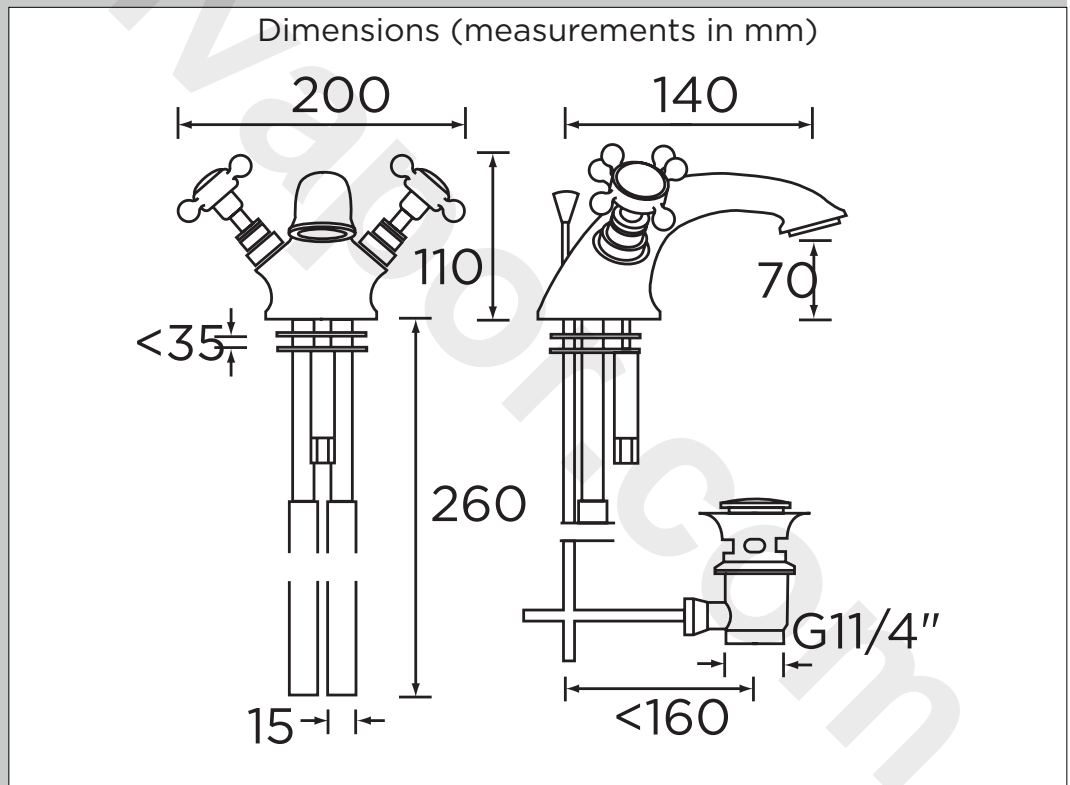
Features:

- Chrome plated to BS EN 248
- Metal fixing nut

Product Certifications:



For more products, visit our website:



Flow Rates (l/min)						
System Pressure (bar)	0.2	0.5	1	2	3	5
TY BAS C	17.1	29.9	43.3	62.2	76.4	98.7

TECHNICAL
DATA
SHEET



BRISTAN
TAPS & SHOWERS

D4

