

TY 3/4 C

TRINITY Tap Range

Trinity Bath Taps Chrome



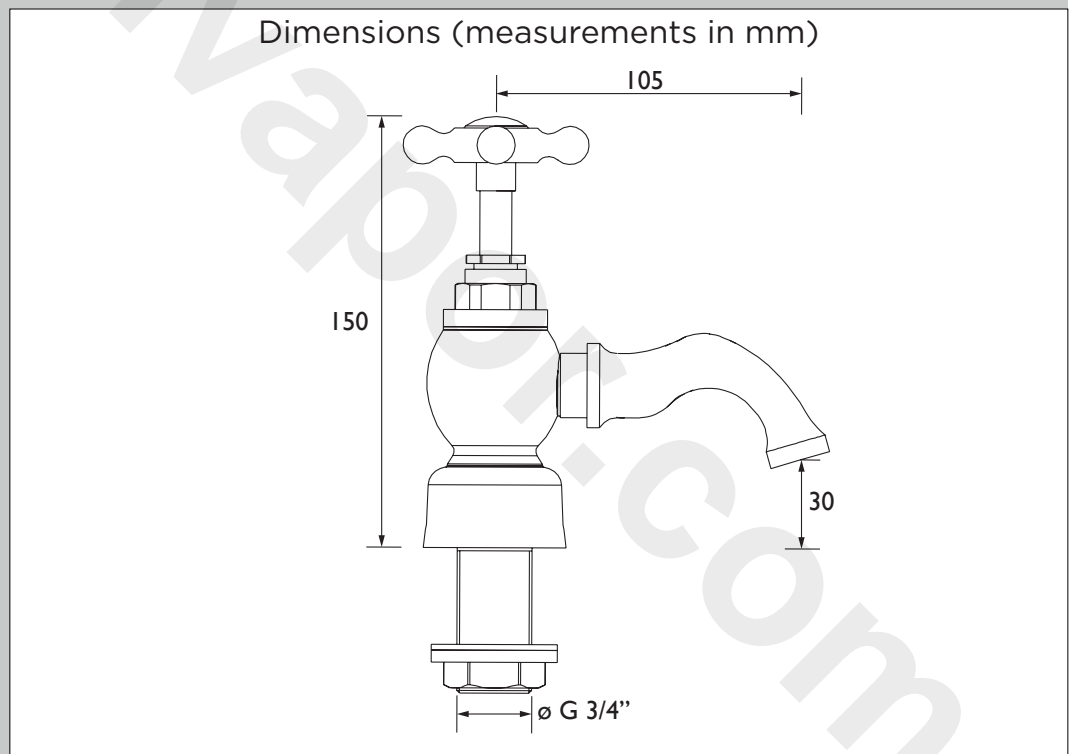
| Specification | |
|-----------------------------------|----------------------------|
| Style: | Traditional |
| Product Type: | Bathroom Taps |
| Finish/Colour: | Chrome |
| Main Construction Material: | Brass |
| Mount Type: | Deck |
| Handle Type: | Crosshead |
| Connection Inlet: | 3/4" BSP |
| Number of Tap Holes Required: | 2 |
| Valve/Cartridge Type: | 3/4" Compression Valves |
| Plumbing System Suitability | All |
| Working Pressure Range: | Min. 0.2 Bar, Max. 7.0 Bar |
| Maximum Hot Water Temperature: °c | 65 |
| Maximum Dynamic Pressure: (bar) | 7 |
| Maximum Static Pressure: (bar) | 10 |
| Flow Type: | Single Flow |
| Flow Rate: (l/min @ 3 bar) | 143.3 |
| Connection Outlet: | |
| Isolation Included: | No |

Features:

- Chrome plated to BS EN 248
- 3/4" valve

Product Certifications:

For more products, visit our website:



| Flow Rates (l/min) | | | | | | |
|-----------------------|------|------|------|-------|-------|-------|
| System Pressure (bar) | 0.2 | 0.5 | 1 | 2 | 3 | 5 |
| TY 3/4 C (Hot) | 36.1 | 57.1 | 80.7 | 114.2 | 139.8 | 180.5 |
| TY 3/4 C (Cold) | 37 | 58.5 | 82.7 | 117 | 143.3 | 185 |

TECHNICAL DATA SHEET



BRISTAN

TAPS & SHOWERS

D4