



## Features:

## Product Certifications:

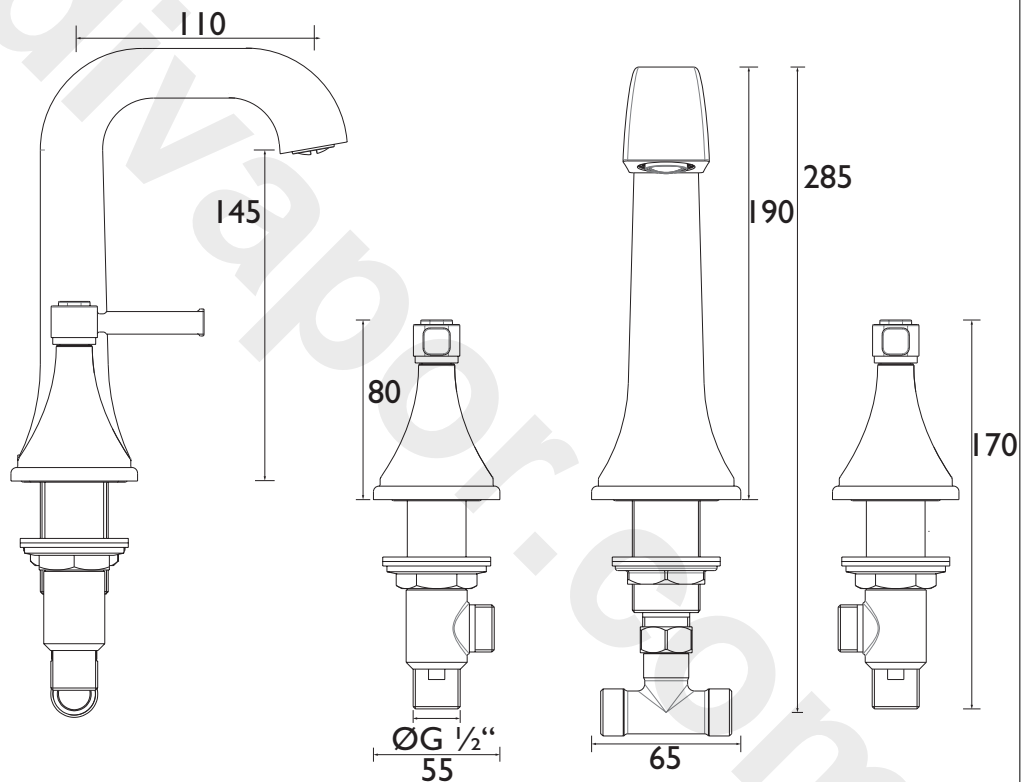


## Additional Information:

### Specification

|                                   |                            |
|-----------------------------------|----------------------------|
| Product Type:                     | Bathroom Taps              |
| Main Construction Material:       | Brass                      |
| Mount Type:                       | Deck Mounted               |
| Handle Type:                      | Lever Handles              |
| Connection Inlet:                 | G 1/2" BSP                 |
| Connection Outlet:                | Open                       |
| Number of Tap Holes:              | 3                          |
| Valve/Cartridge Type:             | Quarter Turn Ceramic Disc  |
| Plumbing System Requirements:     | All - Ideally Balanced     |
| Working Pressure Range:           | Min. 0.2 Bar, Max. 5.0 Bar |
| Maximum Hot Water Temperature: °C | 65                         |
| Maximum Static Pressure: (bar)    | 10                         |
| Flow Type:                        | Single Flow                |
| Isolation Included:               | No                         |

### Dimensions (measurements in mm)



### Flow Rates (l/min)

| System Pressure (bar) | 0.2 | 0.5 | 1  | 2    | 3    | 5    |
|-----------------------|-----|-----|----|------|------|------|
| TSBC06                | 5.1 | 9.4 | 14 | 20.2 | 24.8 | 32.8 |