



DESCRIPTION:

TRADE-TEC THERMOSTATIC
BATH SHOWER MIXER WITH
FLEXIBLE SLIDE RAIL KIT &
DECK MOUNTING LEGS

CODE:

TR30024CP

MIN OPERATING PRESSURE (dynamic):

0.2 BAR

MAX OPERATING PRESSURE (static):

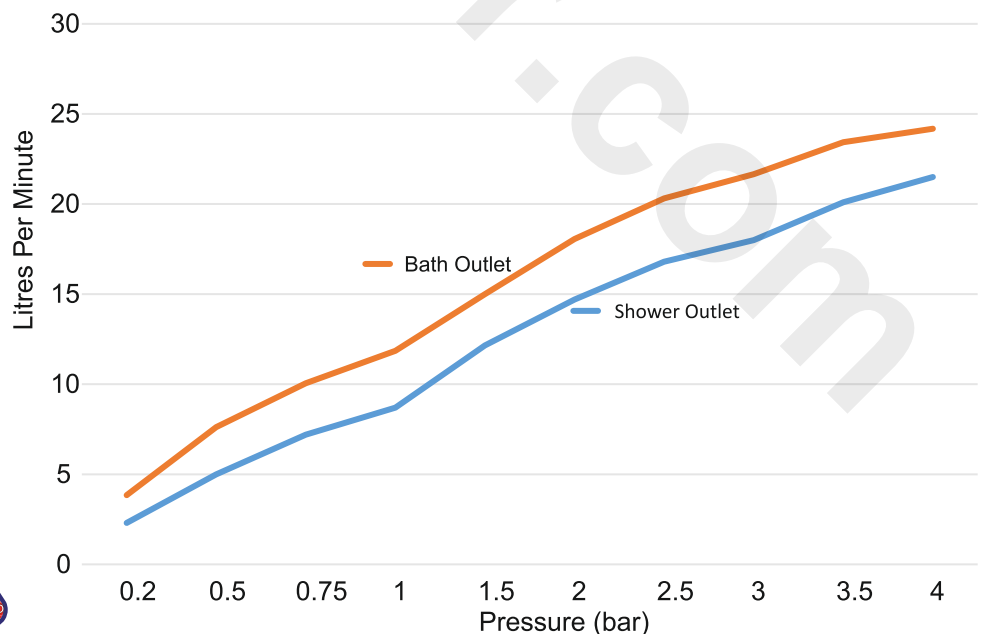
5 BAR

INLET CONNECTIONS:

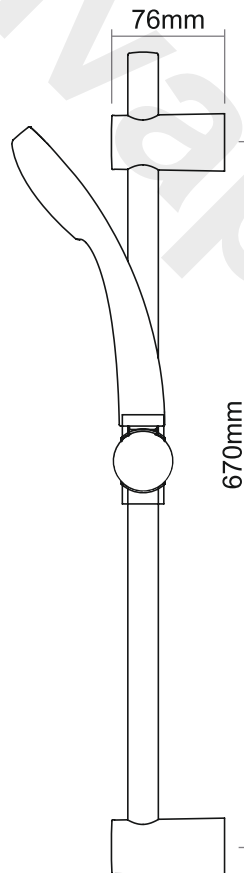
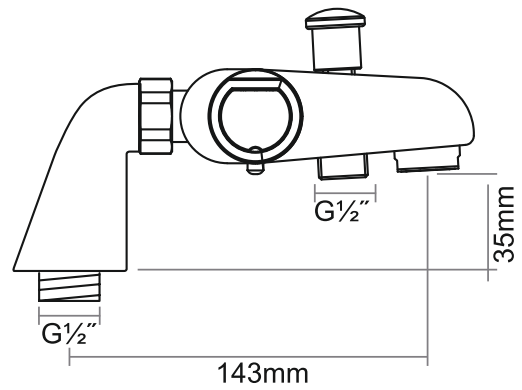
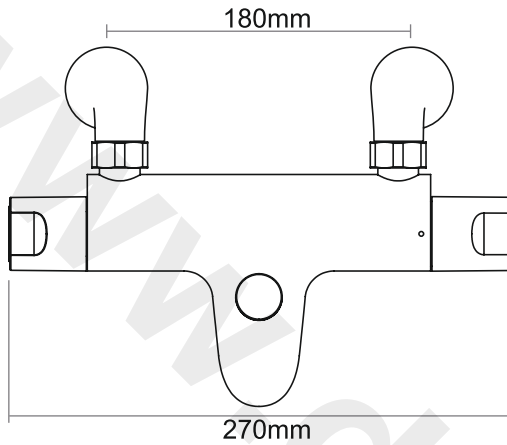
3/4" BSP

- THERMOSTATIC CONTROL
- ANTI-SCALD FAIL SAFE TECHNOLOGY
- SURE-SAFE MAXIMUM TEMPERATURE LIMIT
- ADJUSTABLE FIXING POINTS FOR RISER
- 5 YEAR WARRANTY

Flow Rate Graph



(valve only TR30010CP) (valve only TR30010CP)



(valve only TR30010CP) (valve only TR30010CP)