

DESCRIPTION:

COOLFLOW THERMOSTATIC SHOWER WITH TELESCOPIC RIGID RISER, OVERHEAD SOAKER & MULTI-FUNCTION HANDSET - INC FAST FIX BRACKETS

CODE:

TR20025CP

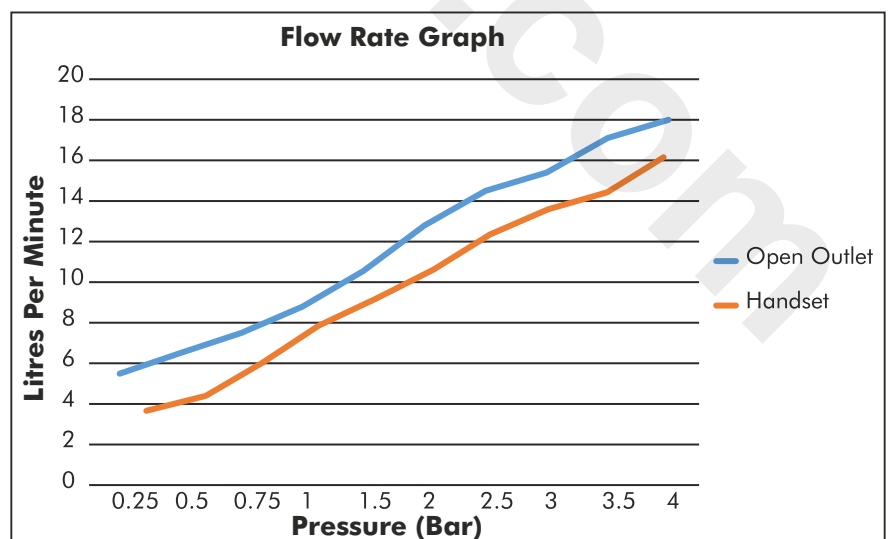
MIN OPERATING PRESSURE (dynamic): 0.4 BAR

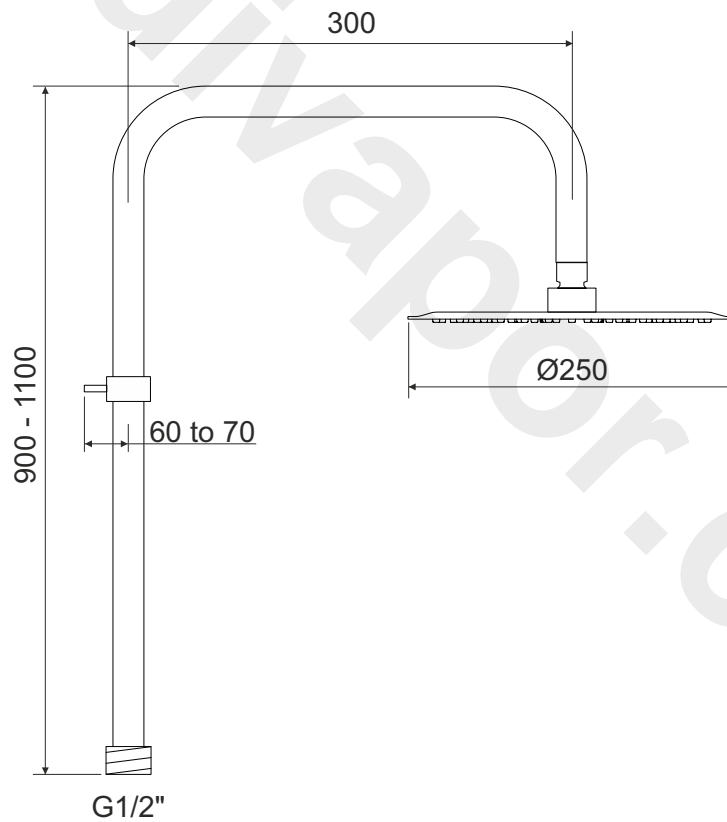
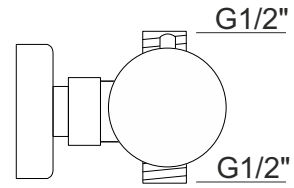
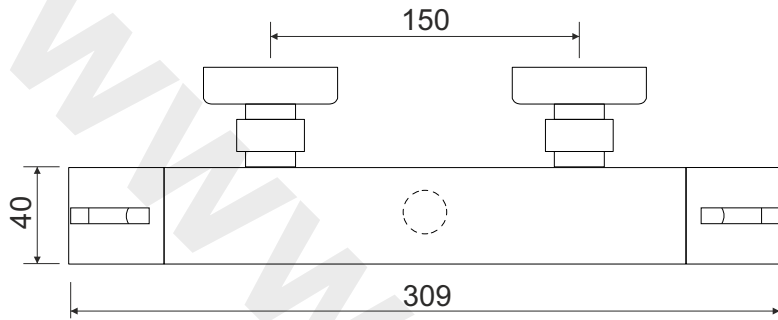
MAX OPERATING PRESSURE (static): 5 BAR

INLET CONNECTIONS: 15MM FAST FIX



- THERMOSTATIC CONTROL
- ANTI-SCALD FAIL SAFE TECHNOLOGY
- SAFE TOUCH BODY
- WRAS & TMV2 APPROVED VALVE
- FAST FIX BRACKETS FOR QUICK INSTALLATION
- SMOOTH HOSE
- EXTRA LARGE ULTRA THIN SOAKER
- ADJUSTABLE TELESCOPIC RISER
- 5 YEAR WARRANTY
- SUPPLIED IN BOX QUANTITIES OF 2





Valve Only



Valve Only

