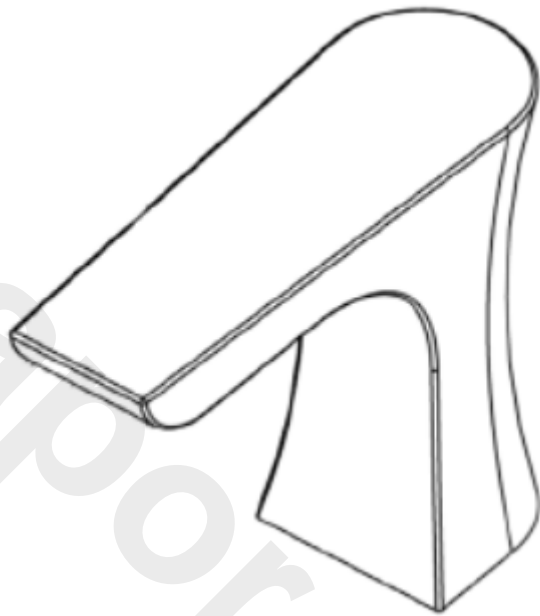


HERITAGE

BATHROOMS

Installation Instructions Lymington Range



TLYCG00, TLYCG01, TLYCG02,
TLYCG04, TLYCG07

Please keep this booklet for future reference.

Installer: When you have read these instructions please ensure you leave them with the user.



Contents

When you purchase a Heritage product, you can be confident that it not only features a beautiful, distinctive, classical design, but also, that it has been made to the very highest quality standards.

To ensure that it works to its full potential, it needs to be fitted correctly.

These fitting instructions have been created to give you all of the information you need and if you need any further help, please do not hesitate to give us a call on 0844 701 8503.

Important Safety Information	03
General Specification	03
Dimensions	04-06
Installation Requirments	07
Installation	08-11
Basin/ Bath Taps	08
Basin Mixer	09
Bath Filler	10
Bath Shower Mixer	11
Maintenance	12-13
Hard Water Regions	14
Troubleshooting	15
Guarantee	16-17
Notes	18-19

Important Safety Information

- Please read these instructions thoroughly and retain for future use.
- All products manufactured and supplied by Heritage are safe provided they are installed correctly, used correctly and receive regular maintenance in accordance with these instructions.
- **If you are in any doubt about your ability to install this product safely you must employ the services of an experienced qualified plumber.**
- Remove all packaging and check the components for damage before starting installation.
- ⚠ Before starting any installation please consider the following: Prior to drilling into walls, check that there are no hidden electrical wires, cables or water supply pipes. This can be checked with the aid of an electronic detector.
- If power tools are used do not forget to:
 - Wear eye protection
 - Unplug equipment after use
- This product must not be modified in any way as this will invalidate the guarantee
- These fittings need to be installed in accordance with and meet the requirements of the Water Supply (Water Fittings) Regulations 1999 and Scottish Byelaws 2004.

General Specification

Operating pressure range (bar)	Min	Max
Basin Taps	0.2	5.0
Bath Taps	0.2	5.0
Basin Mixer	0.2	5.0
Bath Shower Mixer	0.2	5.0
Bath Filler	0.2	5.0
Maximum static pressure –	10.0 bar	

NOTE:- Nominally equal (balanced) inlet supply pressures are recommended for optimum performance of mixer taps.

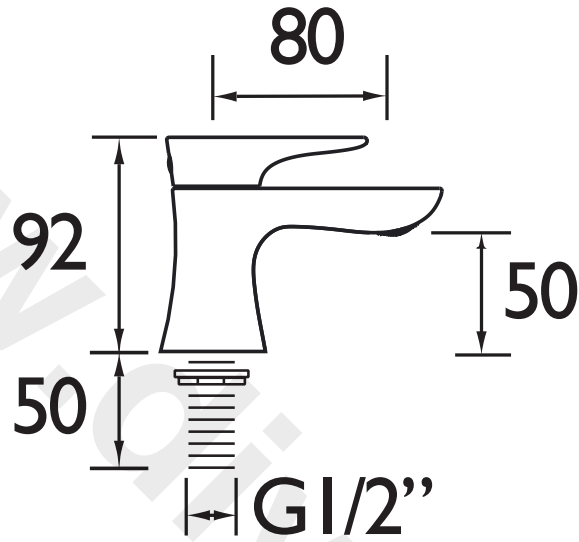
Designed to comply with BS EN 200 for single taps / combination taps for water systems of type 1 and 2 general technical specifications; and to be used within systems designed to BS 6700.

BS 6700 recommends the temperature of stored water should never exceed 65°C. A stored water temperature of 60°C is considered sufficient to meet all nominal requirements and will minimise the build up of lime scale in hard water areas.

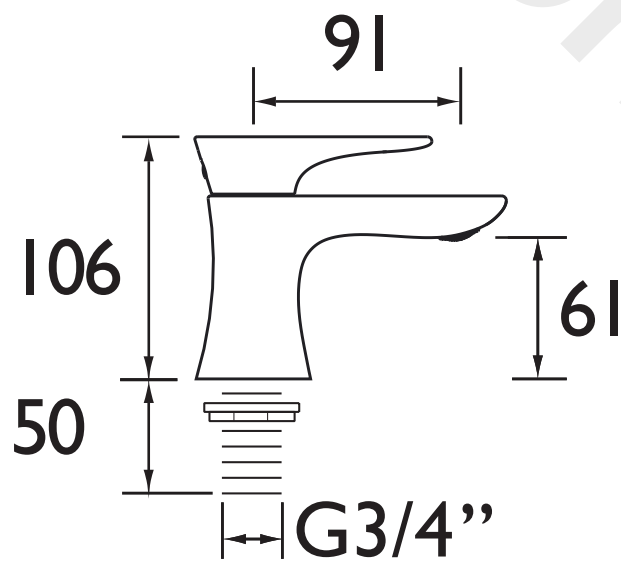


Dimensions

Basin Taps

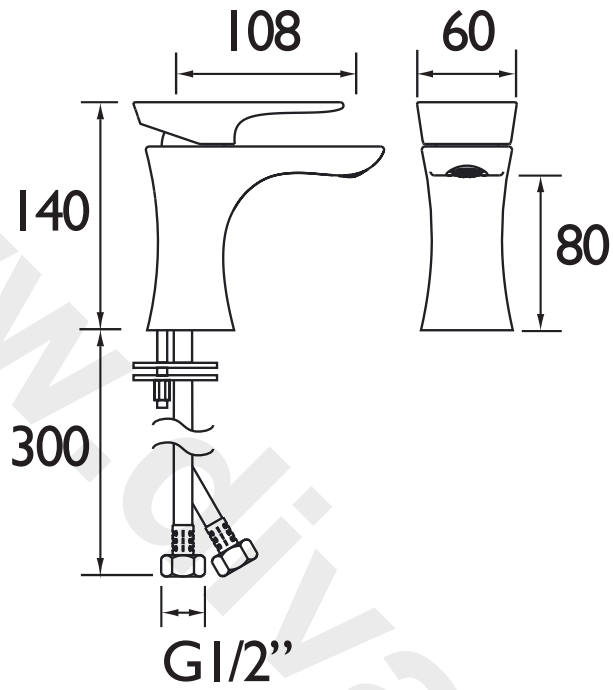


Bath Taps

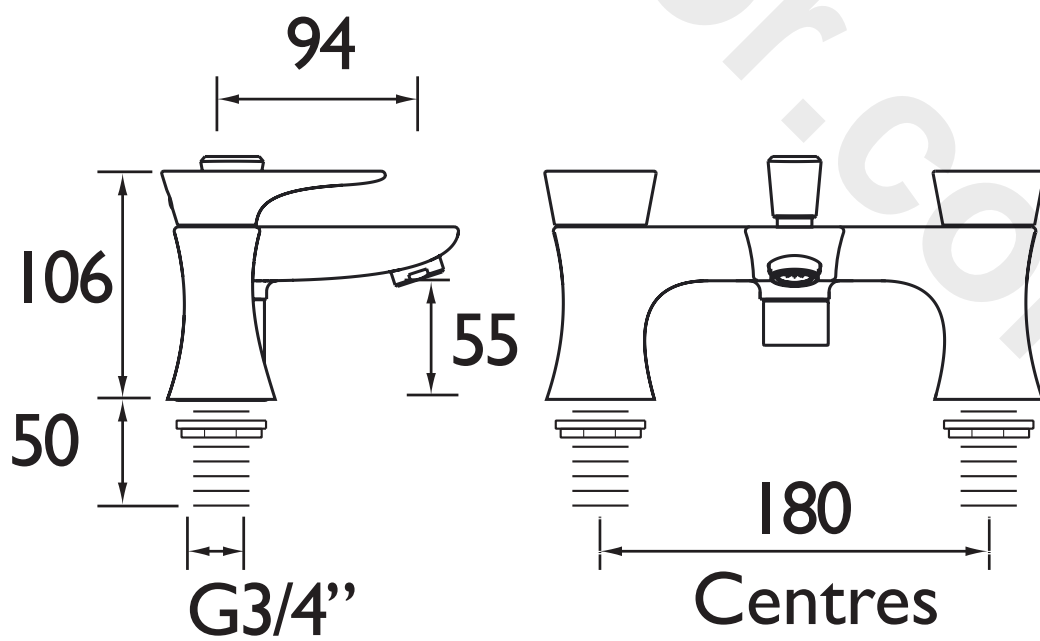


Dimensions

Basin Mixer



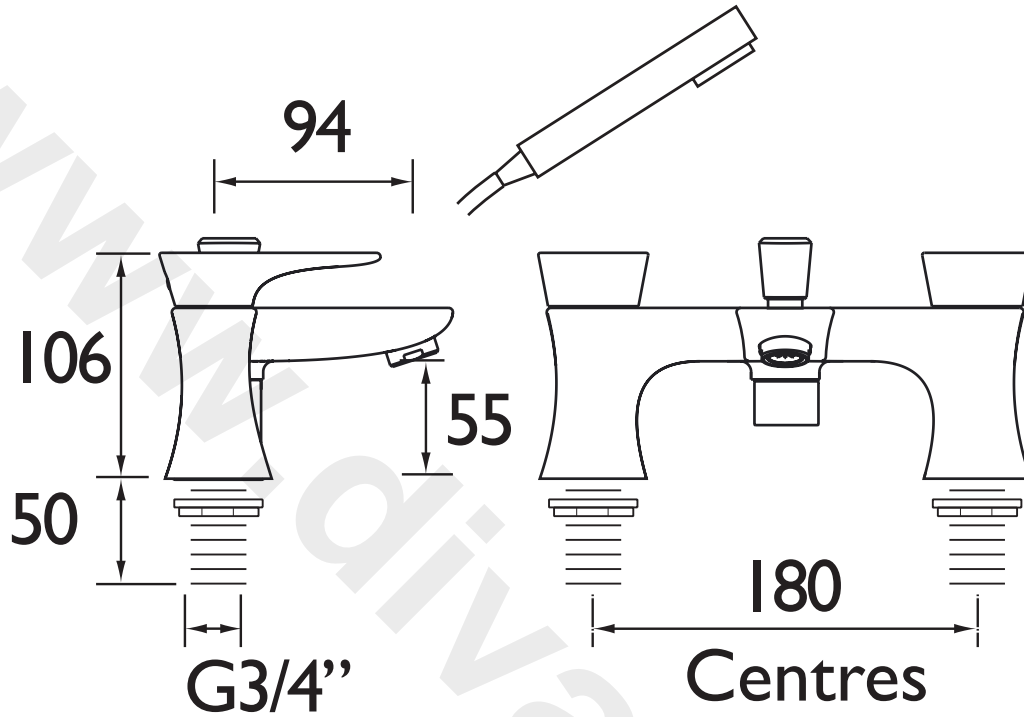
Bath Filler





Dimensions

Bath Shower Mixer



Installation Requirements

IMPORTANT - PLEASE READ

This/these fitting/fittings needs/need to be installed in accordance with the following Installation Requirements and Notes (IRN) to ensure they meet the requirements of the Water Supply (Water Fittings) Regulations 1999 and the Scottish Byelaws 2004.

IRN R001: Basin Taps, Bath Taps, Basin Mixer, Bath Filler, Bath Shower Mixer
See text of entry for Installation Requirements or Notes.

IRN R005: Bath Filler, Bath Shower Mixer
This tap or combination tap assembly has a Type AUK2 air gap and is therefore only suitable for installation in domestic premises or in other premises to protect against a backflow risk up to a Fluid Category 3, unless additional backflow protection for the higher risk is included in the installation.

IRN R006: Basin Taps, Bath Taps, Basin Mixer
This tap or combination tap is installed so that its base is no lower than the spillover level of the receiving vessel (for example, a sink or washbasin), a Type AUK3 air gap is achieved which permits installation of the tap in any premises where backflow protection up to Fluid Category 5 is required at the tap.

IRN R010: Basin Mixer, Bath Filler
Schedule 2-15 (1)
Water supplies shall be a reasonably balanced pressures from a common source (e.g. hot and cold supplies both from the same storage or both from a supply pipe). Where the fitting is supplied from unbalanced supplies (e.g. hot and cold supplies from separate sources) a 'Listed' single check valve or some other no less effective backflow prevention device shall be fitted immediately upstream of both hot and cold water inlets.

IRN R030 – Bath Shower Mixer
Schedule 2-15 (1) Multiple inlet fittings installed in domestic premises or in other premises to protect against a backflow risk up to a Fluid Category 3, incorporating a self cancelling diverter acceptable as a backflow prevention device (HC) and having an AUK2 or AUK3 air gap, shall be installed in accordance with IRN R010.

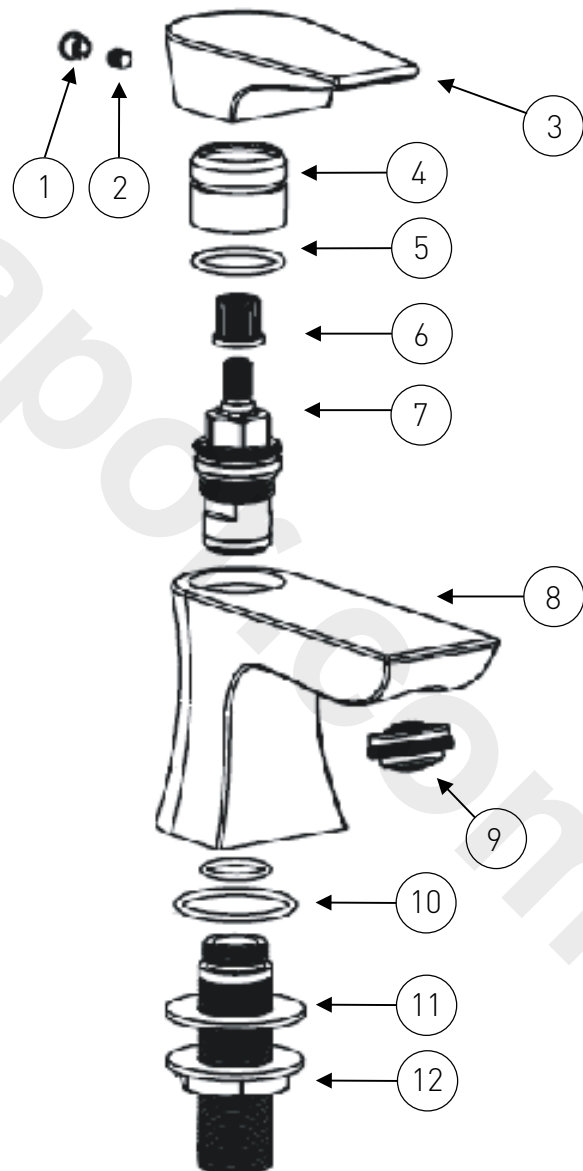
Multiple inlet fittings installed in premises other than domestic to protect against a backflow risk up to a Fluid Category 5, incorporating a self cancelling diverter acceptable as a backflow prevention device (HC only) and having an AUK2 or AUK3 air gap, shall be installed in accordance with IRN R010. Alternatively the fitting shall be supplied in accordance with IRN R040 unless the shower head is constrained above the spill-over lever of the bath, wash basin or shower tray.



Installation- Basin & Bath Taps

1. Identify all components are present prior to starting installation.
2. Position the 'O' ring (10) in the groove on the underside of the tap body and install the taps to the basin/bath.
3. Using the washer (11) and metal backnuts (12), secure the taps to the basin by tightening the backnuts onto the pre-fitted threaded tails. A suitable spanner may be required to fully tighten the backnuts (12).
4. Connect the hot and cold water supplies to the taps.
5. Turn on the water supplies and open both taps letting the water flow for a few minutes to check all joints and connections for any leaks.

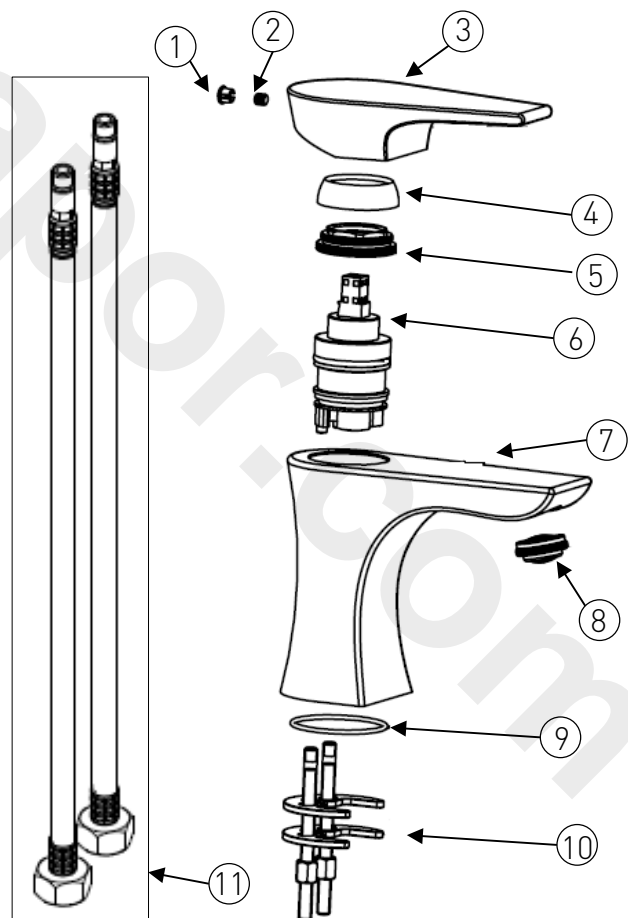
1. Grub Screw Cap	x2
2. Grub Screw	x2
3. Handle	x2
4. Shroud	x2
5. O- Ring	x2
6. Spline Adaptor	x2
7. Ceramic Disc Valve	x2
8. Tap Body	x1
9. Anti- Splash	x2
10. 'O'-ring	x2
11. Rubber Washer	x2
12. Metal Backnut	x2



Installation- Basin Mixer

1. Identify all components are present prior to starting installation using the diagram overleaf.
2. Fit the mixer body (7) to the basin ensuring the o-ring (9) is fitted between the basin and the mixer body (7).
3. From the fixing kit (10), Screw the two fixing rods into the bottom of the mixer body (7). Push the 'C' shaped rubber and metal washers onto the threaded rods and tighten by screwing the fixing nuts accordingly.
4. Screw in (by hand only) the flexible connecting pipes (11) to the mixer (**DO NOT OVERTIGHTEN**) and connect the hot and cold water supplies.
5. Fit the clicker waste (11) to the basin ensuring a rubber washer is fitted between the basin and the waste. Use a pure silicon sealant where necessary. Place the other rubber washer under the basin and secure in place by tightening the backnut. In order to fill the basin, push down the middle of the waste. To release the water, press the middle again.
6. Lift the handle up and turn in both directions, letting the water flow for a few minutes to check all joints and connections for any leaks.

1. Grub Screw Cap	x1
2. Grub Screw	x1
3. Handle	x1
4. Shroud	x1
5. Cartridge Retaining Nut	x1
6. Cartridge	x1
7. Mixer Body	x1
8. Anti- Splash	x1
9. 'O'-ring	x1
10. Fixing Kit	x1
11. Flexible Tails	x2
12. Clicker Waste (not shown)	x1

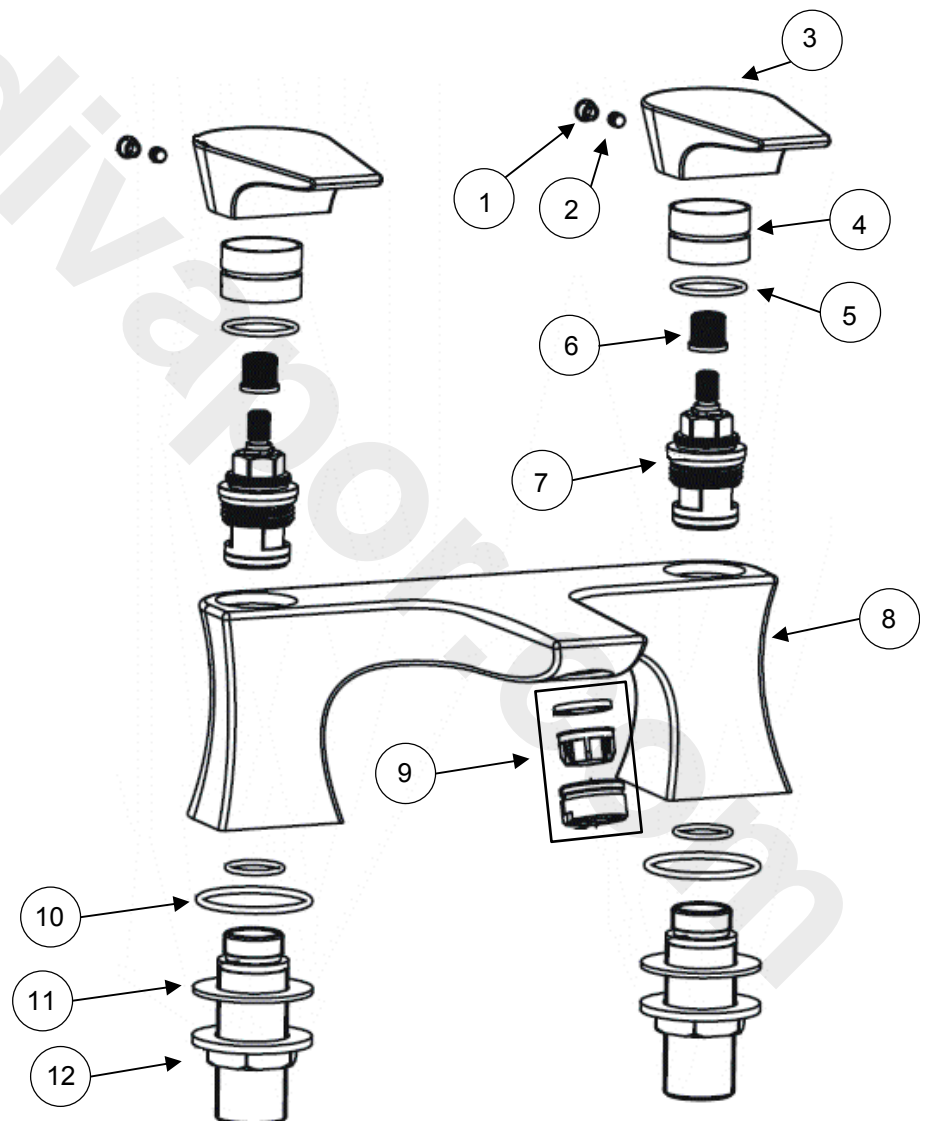




Installation- Bath Filler

1. Identify all components are present prior to starting installation.
2. Position 'O' rings (10) in the groove on the underside of the mixer body and install the mixer body (8) to the bath.
3. Using the washers (11) and the backnuts (12) secure the mixer body (8) to the bath by tightening the backnuts (12) onto the pre-fitted threaded tails. A suitable spanner maybe needed to fully tighten the backnuts (12).
4. Connect the hot and cold water supplies using $\frac{3}{4}$ " tap connectors (not supplied).
5. Turn the handles in both directions, letting the water flow for a few minutes to check all joints and connections for leaks.

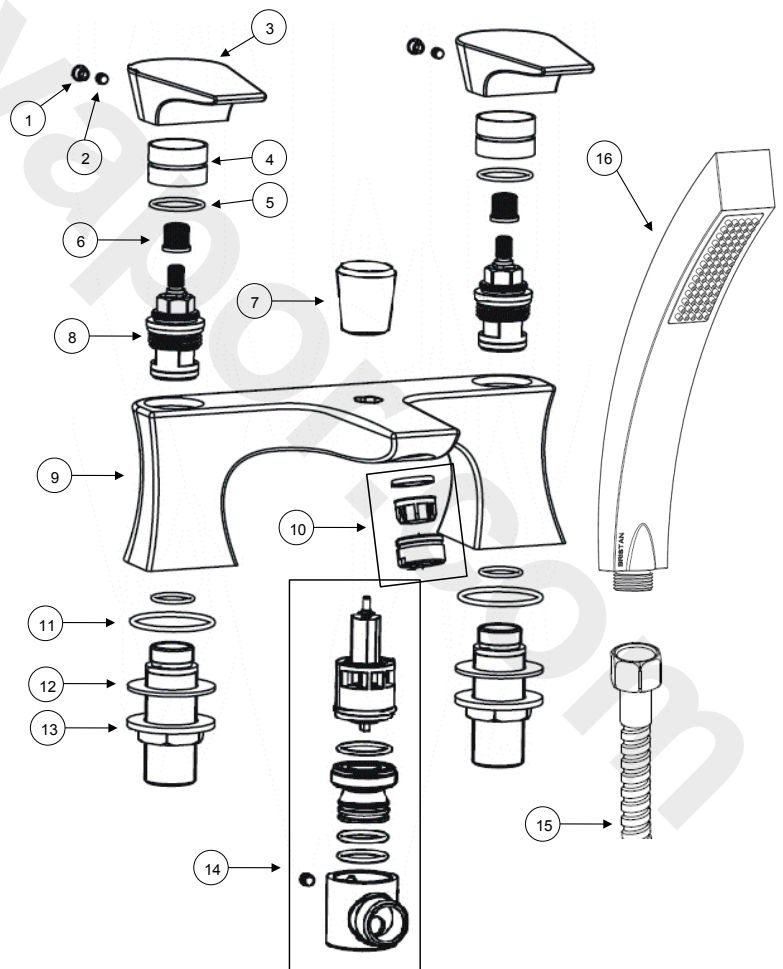
- | | |
|-------------------|----|
| 1. Grub Screw Cap | x2 |
| 2. Grub Screw | x2 |
| 3. Handle | x2 |
| 4. Shroud | x2 |
| 5. O-Ring | x2 |
| 6. Spline Adaptor | x2 |
| 7. CD Valves | x2 |
| 8. Mixer Body | x1 |
| 9. Anti- Splash | x1 |
| 10. 'O' Ring | x2 |
| 11. Rubber Washer | x2 |
| 12. Metal Baknut | x2 |



Installation- Bath Shower Mixer

1. Identify all components are present prior to starting installation using the diagram overleaf.
2. Position 'O' rings (11) in the groove on the underside of the mixer body and install the mixer body (9) to the bath.
3. Using the washers (12) and the backnuts (13) secure the mixer body (9) to the bath by tightening the backnuts (13) onto the pre-fitted threaded tails .A suitable spanner may be required to fully tighten the backnuts (13).
4. Connect the hot and cold water supplies using 3/4" tap connectors (not supplied).
5. Fit the shower hose (15) to the hose outlet using the small washer, and the handset (16) to the hose using the small washer.
6. Fit the wall bracket (Not Shown) to the wall using the fixings supplied, ensuring the handset (16) and hose (15) reaches it.
7. Turn the handles in both directions, letting the water flow for a few minutes to check all joints and connections for leaks.
8. To switch from bath to shower mode, pull the diverter knob (7) up, to revert back to bath filling mode push the diverter knob back down.

1. Grub Screw Cap	x2
2. Grub Screw	x2
3. Handle	x2
4. Shroud	x2
5. O- Ring	x2
6. Spline Adaptor	x2
7. Diverter Knob	x1
8. CD Valve	x2
9. Mixer Body	x1
10. Anti- Splash	x1
11. 'O' Ring	x2
12. Rubber Washer	x2
13. Metal Backnut	x2
14. Diverter Mechanism	x1
15. Hose	x1
16. Handset	x1





Maintenance

General Cleaning

Your fitting has a high quality finish and should be treated with care to preserve the visible surfaces. All finishes will wear if not cleaned correctly. The only safe way to clean your product is to wipe with a soft damp cloth. Stains can be removed using washing up liquid. All bathroom cleaning products (powders and liquids) will damage the surface of your fitting, even the non-scratch cleaners.

Note: Never use abrasive detergents or disinfectants or those containing alcohol, hydrochloric acid or phosphoric acid.

Cleaning the Showerhead –Bath Shower Mixer

Your Heritage showerhead has rub-clean nozzles for easy cleaning. Simply rub your fingers across the rubber spray jets regularly and before you turn the shower on to remove any scale or debris. The hardness of the water in your area will determine how often you should clean your showerhead. Build up of scale in particularly hard water areas combined with constant use means you may need to clean your showerhead once a week. To ensure continued performance the showerhead needs to be regularly descaled.

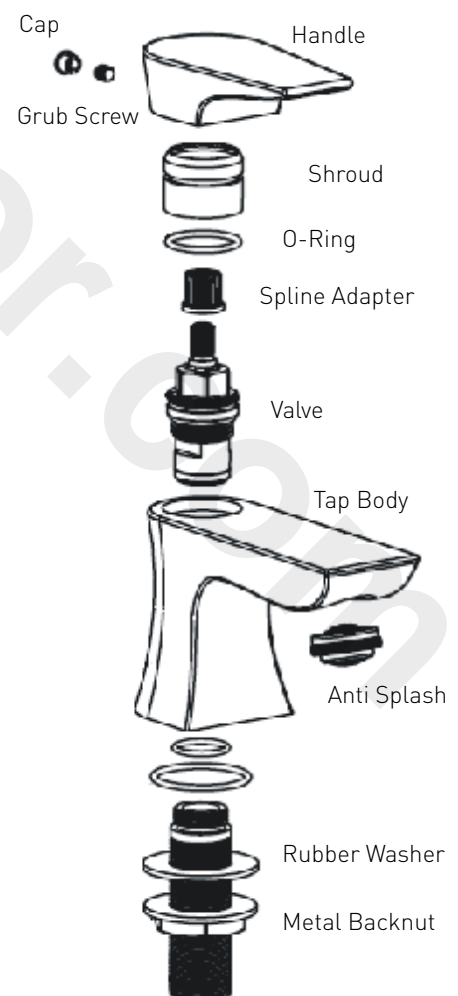
Cleaning the Valves:

If your fitting begins to leak the following should be carried out;

Isolate both hot and cold water supplies to the tap by either:

- Turning the water supply off at the mains stopcock
- Turning off the isolation valves to the tap.

1. Remove the cap at the rear of the handle to reveal the concealed grub screw.
2. Unscrew the grub screw and pull the handle upwards from the shroud.
3. Unscrew the shroud and using a suitable spanner remove the valve from the tap body.
4. Clean the valve and the seating inside the tap body.
5. If necessary replace the valve using parts supplied by Heritage only.
6. Replace the valve into the tap body and tighten fully using a suitable spanner.
7. Replace handle assembly.
8. Turn on water supply and check for leaks.
9. Contact our helpline should if problem persists.



Maintenance

Cleaning the Cartridge:

If your fitting begins to leak the following should be carried out;

Isolate both hot and cold water supplies to the tap by either:

- Turning the water supply off at the mains stop-cock
- Turning off the isolation valves to the tap.

1. Remove the cap at the rear of the handle to reveal the concealed grub screw.
2. Unscrew the grub screw and pull the handle upwards from the shroud.
3. Unscrew the shroud, remove the cartridge retaining nut and pull out the cartridge.
4. Carefully clean the cartridge seals and seating.
5. If necessary replace the cartridge using parts supplied by Heritage only.
6. Replace the cartridge into the tap body and tighten retaining nut fully.
7. Replace all remaining components and turn on water supply.
8. Check for leaks and contact our helpline if problem persists.





Hard Water Regions in England and Wales*



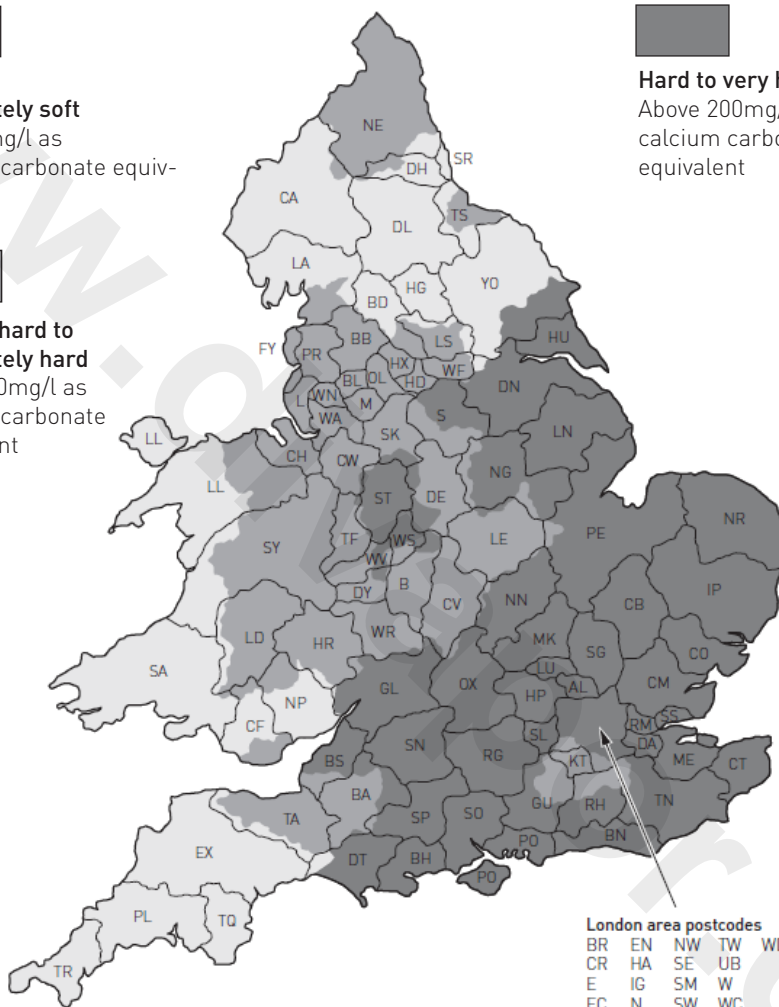
Soft to moderately soft
0 - 100mg/l as calcium carbonate equivalent



Slightly hard to moderately hard
100 - 200mg/l as calcium carbonate equivalent



Hard to very hard
Above 200mg/l as calcium carbonate equivalent



* The map above shows England and Wales only. Scotland has mainly soft water.

Troubleshooting

Symptom	Cause	Remedy
No flow or poor flow	Partially closed stop or service valve in water supply pipework to the tap.	Open stop or service valve.
	Head of water is below the minimum distance required.	Refer to the Specification section for minimum pressures required.
	Possible airlock / blockage in supply pipework	Remove water supplies from the fitting and flush the system to remove any airlocks / debris.
	Cartridge / Valve not opening fully.	Service fitting. Refer to maintenance section on pages 12-13.
Water dripping for a few seconds after the tap has been turned off.	This is caused by 'capillary action' and residual water in the spout being siphoned out.	This should only last for a couple of seconds.
Constant dripping / leaking when the tap is not in use.	Cartridge / Valve not fully shutting off.	Service fitting and replace cartridge. Refer to maintenance section on page 12-13.
Fitting does not turn on.	Water supplies not turned on.	Check that the water supplies to the fitting are turned on.
	Closed stop or service valve	Open stop or service valve.
Water does not come out of the showerhead when using the bath shower mixer.	Diverter mechanism not fully open.	Ensure diverter is pulled fully up.
	Insufficient water pressure / header height.	Refer to the specification section for minimum pressures required.



Heritage Bathrooms Guarantee

When you buy a Heritage product, you can be confident that it not only features distinctive design, but that it has also been made to meet our rigorous quality standards.

We offer robust guarantees and an attentive aftercare service to ensure that if you do experience any issues, we can deal with a problem quickly, and effectively,

Please note that guarantees are only valid with proof of purchase,

Our guarantees are as follows:



2 Years on
Mirrors & WC
Seats



5 Years on
Bath Screens,
Furniture,
Shower Valves,
Taps, Wastes,
Washstands &
Accessories



Lifetime Guarantees on Acrylic & Cast Iron Baths and Sanitaryware

Register now for additional peace of mind

Register your product with us now and, if you do have any queries after installation, we'll be able to quickly identify the product and give you the best advice. It also means that you won't have to keep your proof of purchase to validate your guarantee. To register, simply go on-line at www.heritagebathrooms.com/register

Guarantee Terms and Conditions

The guarantee is in addition to your statutory and other legal rights and is subject to the following conditions:

- The product was purchased within the United Kingdom or Republic of Ireland
- The product is used in domestic applications only
- The guarantee applies solely to the original purchaser with proof of purchase
- The installation must allow ready access to all products for the purpose of inspection, maintenance or replacement
- Repair under this guarantee does not extend the original expiry date. The guarantee on any replacement parts or product ends at the original expiry date

Any parts found to be defective during the guarantee period will be replaced without charge, providing that the product has been installed in accordance with the instructions given in this guide and used as the manufacturer intended. If the product is no longer available, Heritage will endeavour to provide the nearest equivalent.

Heritage Bathrooms Guarantee

The guarantee does not cover:

- Damage or defects caused by
 - General wear and tear (including special non-chrome finishes; components such as filters, seals, o-rings and washers)
 - Incorrect installation
 - Repair using non-Heritage parts
 - Accidental or wilful misuse
 - Corrosion and the use of inappropriate cleaning products
 - System debris including the build-up of limescale (which can be controlled through regular servicing and maintenance)
- Compensation for loss of use of the product or consequential loss of any kind

In the interests of continuous product improvement, Heritage reserves the right to alter product specifications without notice.

Need help?

In the unlikely event that you encounter a problem with your Heritage product, you must, in the first instance contact the retailer you purchased it from. They will advise as to whether it is due to a manufacturing fault or an installation fault. If the problem is due to a manufacturing fault, they will contact us to arrange a supply of a replacement product as soon as possible. To speak to a Heritage customer service advisor, please contact our technical helpline on **0844 701 8503**.



Notes

Please use this space to add any notes you or your installer may have regarding plumbing system/ installation of this product.

www.divapor.com

Notes

Please use this space to add any notes you or your installer may have regarding plumbing system/ installation of this product.

www.divapor.com



HERITAGE[®]
BATHROOMS

Heritage Bathrooms
Birch Coppice Business Park
Dordon
Tamworth
B78 1SG

Website: www.heritagebathrooms.com

Telephone: 0844 701 8503

Email: technical@heritagebathrooms.com

Lymington - DI

