

## shower valves - Telo Thermostatic Concealed Shower

### Introduction

The popular style of the Telo range ensures that it is at home in whatever setting it is installed. A flagship product of the Inta range, the Telo has proven itself time and time again to be a popular choice.

gives  
**total control**

- Suitable for use with unvented supplies, combi boilers, gravity and mains pressure systems
- Thermal cartridge technology
- Temperature stability of +/-2°C
- Fail safe on hot and cold supplies
- Operating pressure range of 0.2 to 5 bar
- Integrated flow diverter
- Single or dual outlet options



telo thermostatic concealed shower  
with flexible slide rail kit  
TL40014CP

### Product Range

Description	Code
telo thermostatic concealed shower with flexible slide rail kit	TL40014CP
telo thermostatic concealed shower	TL40010CP
telo flexible slide rail kit	31665CPA
elbow	T30020CP

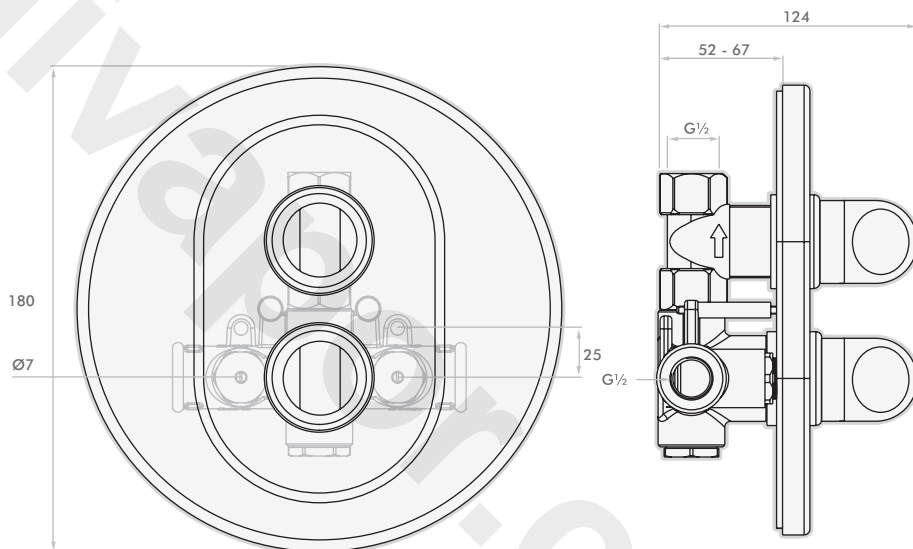


shower valves - Telo Thermostatic Concealed Shower

Features

■ Technical Specification

Max Inlet Pressure static	5 Bar
Min Inlet Pressure dynamic	0.2 Bar
Max Inlet Temperature	85°C
Factory Pre-set Temperature	38°C with max temp stop
Inlet Connections	15mm compression elbows
Outlet Connections	15mm compression
Min Temperature to achieve hot or cold failsafe	15°C
System Installation	Unvented, Pressurised, Gravity and Combination Boilers



TL40010CP



■ INSPIRING CONFIDENCE

