

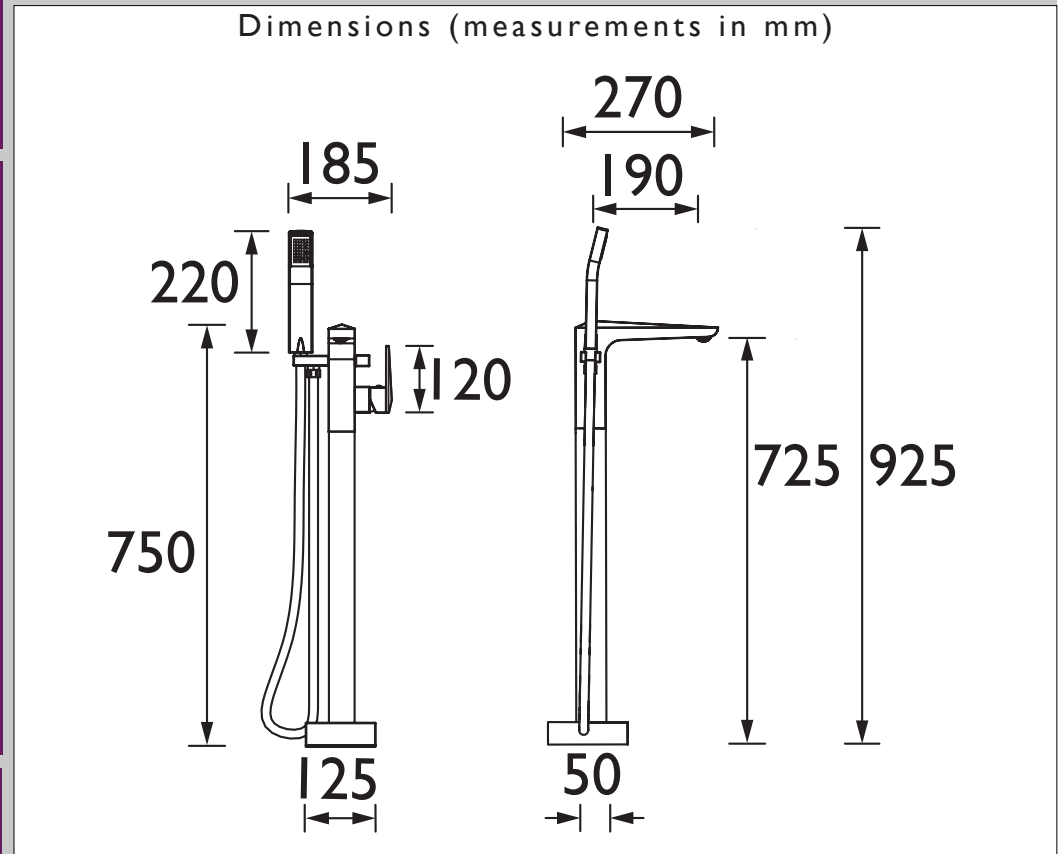


Specification	
Product Type:	Bathroom Tap
Main Construction Material:	Brass
Mount Type:	Floor Mounted
Handle Type:	Lever Handles
Connection Inlet:	M12 x 900mm Flexible Tails
Connection Outlet:	Anti-splash
Number of Tap Holes:	2
Valve/Cartridge Type:	40mm Cartridge
Plumbing System Requirements:	Suitable for high pressure systems
Minimum Dynamic Pressure:	2.0 Bar
Maximum Dynamic Pressure:	5.0 Bar
Maximum Hot Water Temperature: °C	65
Maximum Static Pressure: (bar)	10
Flow Type:	Single Flow
Isolation Included:	No

Features:

- Compatible with low pressure water systems, optimised for UK market
- Quarter turn ceramic discs - for smooth operation and added durability
- Available in a selection of finishes

Product Certifications:



Additional Information:

Flow Rates (l/min)			
System Pressure (bar)	2	3	5
THPCI71	17.80	21.80	25.10