



Features:

- Compatible with low pressure water systems, optimised for UK market
- Quarter turn ceramic discs - for smooth operation and added durability
- Available in a selection of finishes
- Chrome plated to BS EN 248

Product Certifications:



Additional Information:

Other Products in the Hemsby range include:

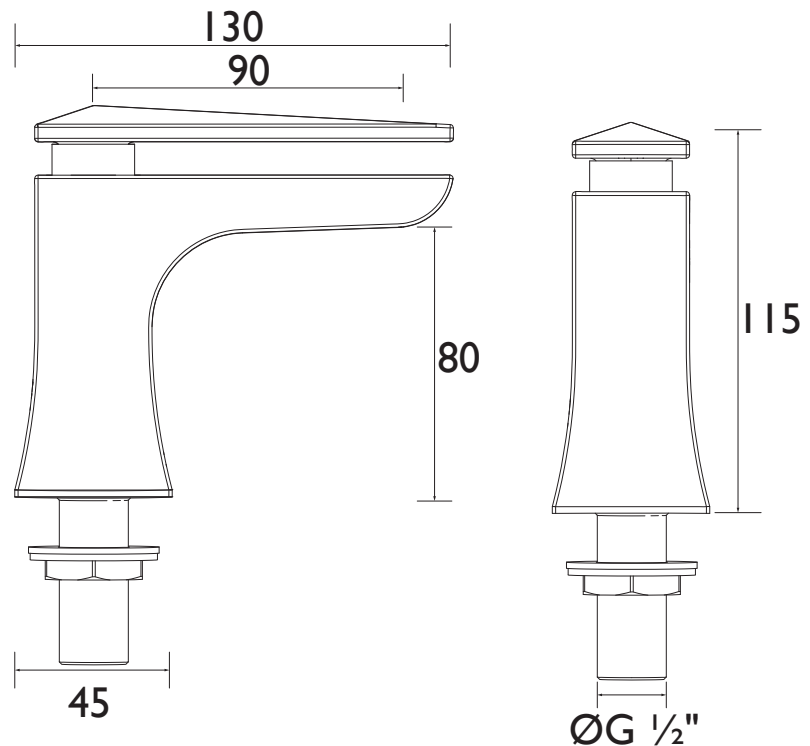
- Basin Taps
- Basin Mixer
- Bidet Mixer
- Bath Taps
- Bath Filler
- Bath Shower Mixer

Available in Chrome and Rose Gold

Specification

| | |
|-----------------------------------|----------------------------|
| Product Type: | Bathroom Taps |
| Main Construction Material: | Brass |
| Mount Type: | Deck Mounted |
| Handle Type: | Lever Handles |
| Connection Inlet: | G 1/2" BSP |
| Connection Outlet: | Open |
| Number of Tap Holes: | 2 |
| Valve/Cartridge Type: | Quarter Turn Ceramic Disc |
| Plumbing System Requirements: | All - Ideally Balanced |
| Working Pressure Range: | Min. 0.2 Bar, Max. 5.0 Bar |
| Maximum Hot Water Temperature: °C | 65 |
| Maximum Static Pressure: (bar) | 10 |
| Flow Type: | Single Flow |
| Isolation Included: | No |

Dimensions (measurements in mm)



Flow Rates (l/min)

| System Pressure (bar) | 0.2 | 0.5 | 1 | 2 | 3 | 5 |
|-----------------------|-------|-------|-------|-------|------|-------|
| THPC00 | 14.87 | 23.52 | 33.26 | 47.03 | 57.6 | 74.36 |