



Features:

- 5 Year Guarantee
- Includes Pop-Up Waste
- Lever Handles
- Compatible with low pressure water systems, optimised for UK market
- Quarter turn ceramic discs - for smooth operation and added durability

Product Certifications:



Additional Information:

Other Products in the Glastonbury range include:

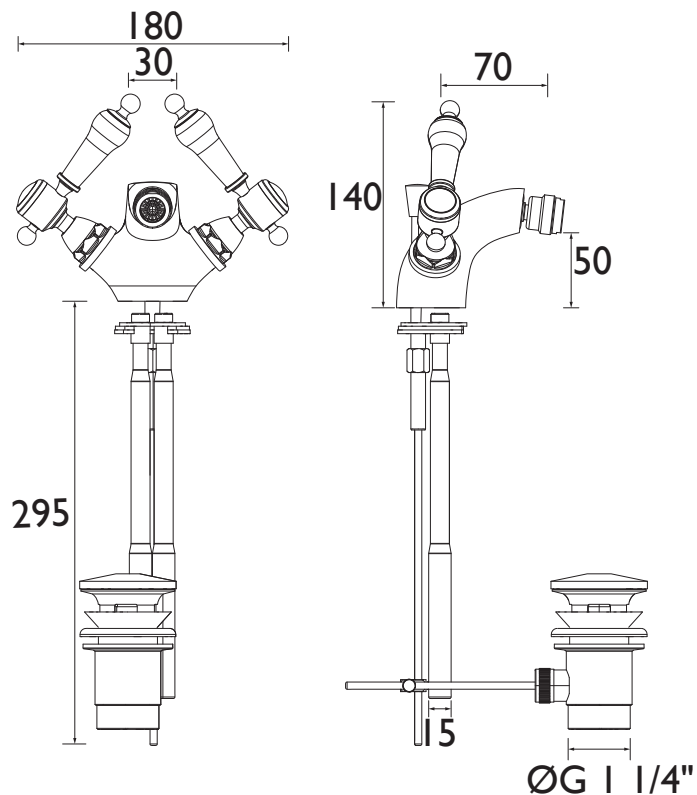
- Basin Taps
- Basin Mixer
- Bidet Mixer
- Bath Taps
- Bath Shower Mixer

Available in Chrome w/ White Handle, Vintage Gold w/ White Handle & Chrome w/ Midnight Blue Handle

Specification

Product Type:	Bathroom Taps
Main Construction Material:	Brass
Mount Type:	Deck Mounted
Handle Type:	Lever
Connection Inlet:	M12 15mm Copper Pipes
Connection Outlet:	M24 Aerator/Anti-Splash
Number of Tap Holes:	1
Valve/Cartridge Type:	Quarter Turn Ceramic Disc
Plumbing System Requirements:	All - Ideally Balanced
Working Pressure Range:	Min. 0.4 Bar, Max 5.0 Bar
Maximum Hot Water Temperature: °C	65
Maximum Static Pressure: (bar)	10
Flow Type:	Single Flow
Isolation Included:	No

Dimensions (measurements in mm)



Flow Rates (l/min)

System Pressure (bar)	0.2	0.5	1	2	3	5
TGRG05	13.75	21.75	30.76	43.5	53.28	68.78