

TFP3001

GUM Shower Range Timed Flow Shower Panel with VR Head



Specification

Finish/Colour:	Chrome
Main Construction Material:	Brass and Stainless Steel
No of Controls:	2
Shower Type:	Timed flow
Shower Head Type:	Fixed Head
Valve/Cartridge Type:	Single Sequential Cartridge
Maximum Hot Water Supply Temperature °C:	80
Maximum Static Pressure: (bar)	10
Plumbing System Suitability:	Suitable for all plumbing systems
Minimum Dynamic Pressure:	0.5 Bar
Maximum Dynamic Pressure:	5.0 Bar
Connection Inlet:	15mm
Connection Outlet:	Adjustable Spray Showerhead
Isolation Valve Included:	No
Check Valve Included:	Yes

Features:

- Integral thermostatic valve reduces deadleg and risk of legionella
- Single sequential control for both temperature and flow
- Vandal resistant showerhead with adjustable spray trajectory
- Fits to ceiling, leaving no exposed pipework
- Automatic thermostatic shutoff in the event of hot or cold water failure

Product Certifications:



WRAS Cert. Number: 1605045
WRAS Expiry Date: 30/05/2021

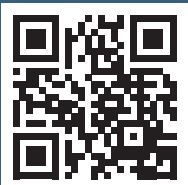


TMV Cert. Number: BC1577/1015
TMV Expiry Date: 01/04/2021

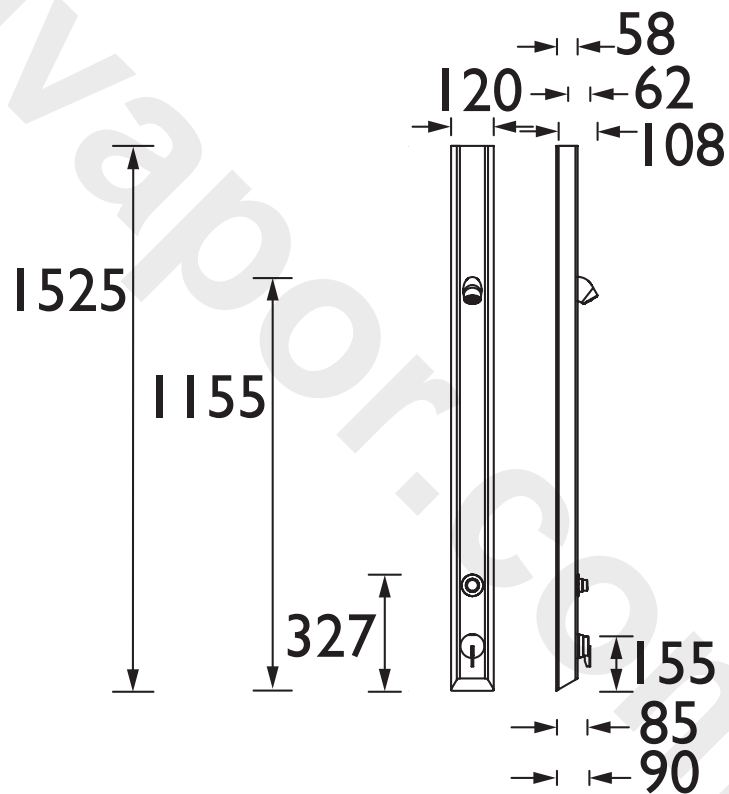
Designations: High Pressure Shower Economy
Low Pressure Shower Economy



For more products, visit our website:
<http://www.bristan.com>



Dimensions (measurements in mm)



Flow Rates (l/min)

System Pressure (bar)	0.5	1	2	3	5
Through Fixed Head (mixed)	6	8	8.2	8.4	8.5

TECHNICAL DATA SHEET



BRISTAN

D5