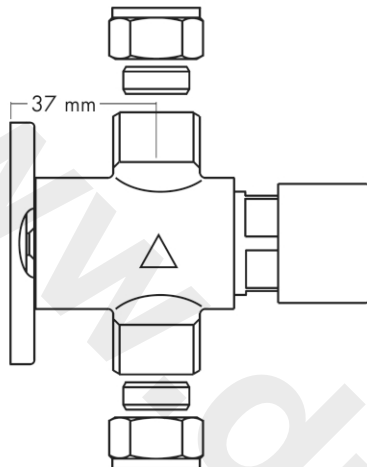


TF992CP Timed Flow Controller For Exposed Pipes

For use with VR991CP shower head



Operating Conditions

Max. Operating Pressure	10 bar
Min. Operating Pressure	0.2 bar
Max. Inlet Temperature	65°C
Timed Flow @ 3 bar	1.5 ± 3 sec.

Location

Mount on a tiled wall or similar water proof surface.

The flow controller must not be positioned where it will be subjected to freezing conditions

Installation Instructions

Flush the supply pipe before fitting the flow controller as debris will prevent it from working correctly.

The back plate is supplied securely fixed to the controller body.

Position the controller on the wall, and using the 2 holes as a template mark the position for the 2 fixing holes.

The flow controller should be located below the shower head so that the 2 pipe connections are in line.

The height of the controller should be 1.1 to 1.2m above the floor of the shower area.

Drill the wall and secure the controller using plugs and screws (not supplied) suitable for the type of wall and material of construction.

Fit the controller to the wall and check the flow direction arrow to ensure that the flow will be vertically upwards to the shower head before tighten the fixing screws

To keep the connecting pipe between the controller and shower head parallel to the wall, bend an offset of 2mm and cut to length. The distance from the wall to the centre of inlet of the shower head is 35mm.

Using the compression nut and olive provided make a water tight joint and also on the connection to the shower head.

For additional security the pipe should be offset to suit a pipe bracket or saddle band which should be fitted midway between.

A service ball valve must be installed in the supply pipe work or the controller must be supplied via a thermostatic mixing valve, which has supply connections containing an isolating valve, to enable the controller and shower head to be isolated for cleaning or servicing.

Aftercare

To maintain the appearance of the flow controller periodically it should be cleaned with a soft damp cloth and a mild detergent before rinsing.

The use of abrasive or solvent cleaners will damage the finish of the product and should not be used.