



Features:

- Chrome PLated to BS EN 248
- Plastic Back Nuts
- Compatible with low pressure water systems, optimised for UK market
- Quarter turn ceramic discs - for smooth operation and added durability
- Shorter spout which is ideal for small basins
- Available in a selection of finishes

Product Certifications:



Additional Information:

Other Products in the Dawlish range include:

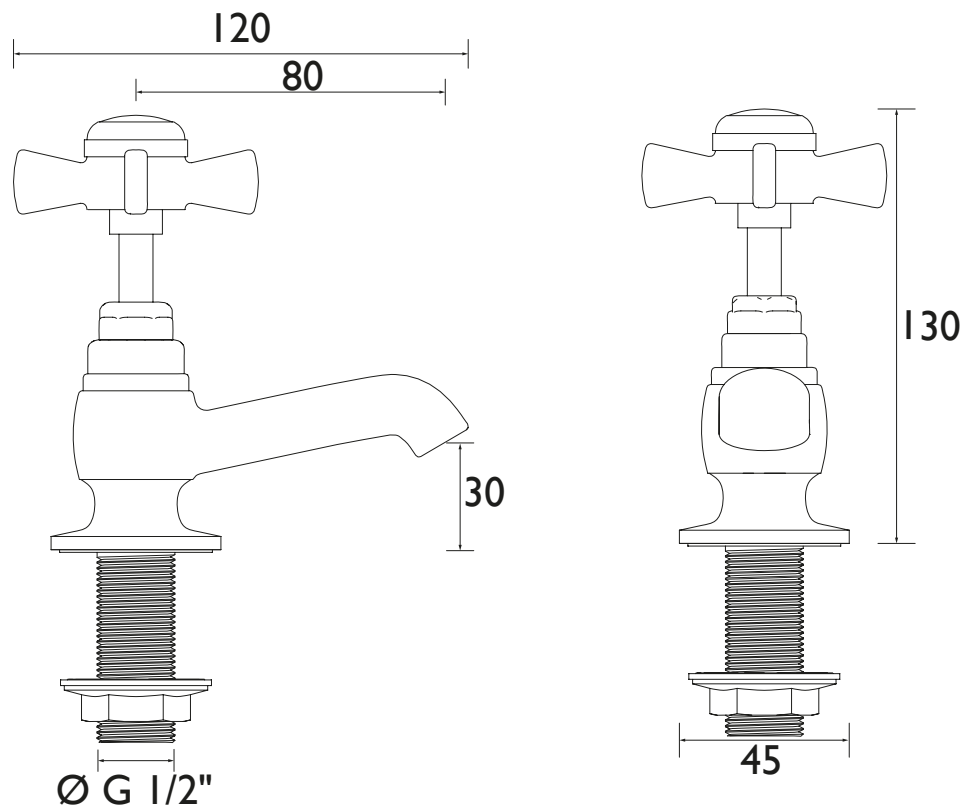
- Bidet Mixer
- Basin Mixer
- Bath Filler
- Bath Taps
- Bath Shower Mixer

Available in Chrome, Vintage Gold and Rose Gold

Specification

Product Type:	Bathroom Taps
Main Construction Material:	Brass
Mount Type:	Deck
Handle Type:	Crosshead
Connection Inlet:	G 1/2" BSP
Connection Outlet:	Open
Number of Tap Holes:	2
Valve/Cartridge Type:	Quarter Turn Ceramic Disc
Plumbing System Requirements:	All - Ideally Balanced
Working Pressure Range:	Min 0.1 Bar, Max 5.0 Bar
Maximum Hot Water Temperature: °C	65
Maximum Static Pressure: (bar)	10
Flow Type:	Single
Isolation Included:	No

Dimensions (measurements in mm)



Flow Rates (l/min)

System Pressure (bar)	0.2	0.5	1	2	3	5
TDCGS00	7.9	13.2	18.6	26.2	32	41.4