

## Guarantee

All VADO products come with a 2 year guarantee as standard. Within this guarantee period VADO will provide replacement parts and any labour **[SEE NOTE 1]** needed to complete the product repair.

This standard guarantee may be extended by registering your product to give up to a 15 year guarantee period. Once registered:

VADO chromed brassware and stainless steel products have a 15 year guarantee (2 years parts and labour plus 13 years parts only).

VADO Sensori SmartTouch and SmartDial products have a 5 year guarantee (parts and labour).

VADO Identity and i-tech products have a 5 year guarantee (2 year parts and labour plus 3 years parts only).

All other VADO products have a 3 year guarantee (2 years parts and labour plus 1 year parts only) **[SEE NOTE 2]**.

### Guarantee Conditions

Our products are guaranteed against manufacturing defects from the date of purchase until the expiry of the relevant guarantee period shown above.

The guarantee is only valid if:

- The product has been installed, used and maintained in accordance with VADO's instructions and subjected to normal use only.
- The defect is not due to use of an unsuitable or inadequate water or power supply.
- The defect is not due to accident, misuse, neglect or incorrect/inappropriate repair (other than by VADO or VADO authorised agents) or damage caused by foreign objects or substances.
- The extended guarantee is only available if you have completed the Guarantee Registration Process.

This can be done via the VADO website or via phone to our aftersales team.

Registration must be completed within 6 months from date of purchase.

Under the extended guarantee period VADO will, at its option, offer to supply any replacement product (or component part) assessed to be defective **[SEE NOTE 3]**.

The guarantee (whether standard or extended) is non-transferable to any subsequent owner.

All claims under the guarantee should be notified in the first instance to our Aftersales department, contact details below, this must be done no later than the last day of the relevant guarantee period.

All claims must be accompanied by proof of purchase (sales receipt or delivery note) from an official VADO dealer.

The guarantee does not extend to any consequential loss or damage.

After repair or replacement, the relevant guarantee period will be calculated from the original date of purchase.

VADO operates a policy of continuous product development and therefore reserves the right to change the product, packaging and documentation specifications without notice. E&OE.

### NOTES:

**[1]** Labour via our engineer network is only available in the UK. Attendance by a VADO engineer or sub-contract engineer will be under our standard terms and conditions.

**[2]** VADO spare parts and shower hoses are under a parts only guarantee.

**[3]** VADO reserves the right to charge in advance for a product (or replacement part) pending collection and investigation (at VADO expense) to confirm a defect is due to a manufacturing issue.

If a defect is found the charge will be refunded or cancelled.

This guarantee is in addition to and does not affect your statutory rights as a consumer.

Tel: 01934 745163

Email: aftersales@vado.com

# ARRONDI™

2 way thermostatic shower valve

User Guide



Keep for future reference



CONRAN  
& PARTNERS

VADO

## Welcome

### Thank you for choosing VADO

Our products can be found in some of the most prestigious hotel, commercial and residential developments across the world, therefore you can expect exceptional product quality and outstanding customer service.

This product has passed through stringent quality assurance processes coupled with demanding lifecycle mechanical testing to ensure it reaches the exacting standards that allow us to offer our premium 15 year guarantee.

To ensure this product operates at its optimum efficiency, it is essential this product is maintained and serviced in accordance with these instructions.

We work to ensure our product designs are harmonious with all sanitaryware, so when you choose VADO, your choice of coordinating items is unlimited.

### With VADO, you can really let your inspiration flow.

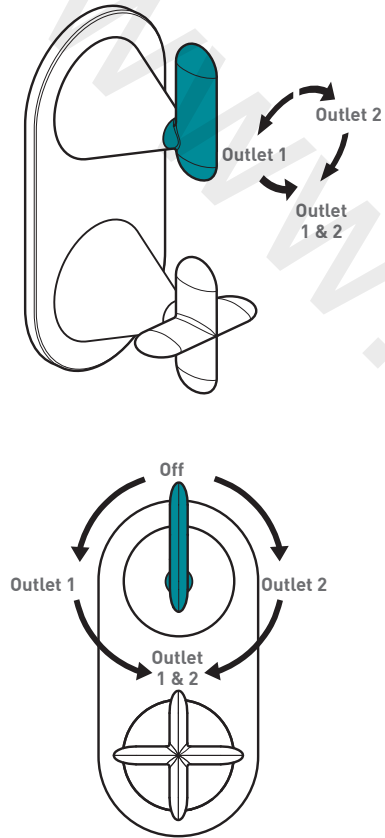
For any technical or operational queries please contact our experienced aftersales team on 01934 745163.

## Cleaning Instructions:

The electroplating on this product is finished to the highest standard. Due care needs to be taken to ensure the appearance is retained.

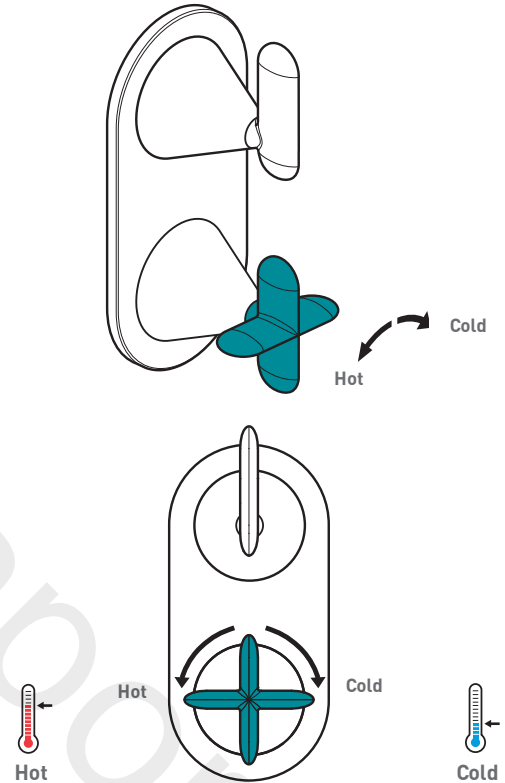
We recommend cleaning all products with a soft damp cloth **ONLY** and advise strongly against the use of all aggressive/corrosive cleaning products i.e. powders and liquids. If these instructions are not followed, this may invalidate your guarantee in the event of a problem occurring.

## Operation - Flow Control



Turning the flow control handle in the direction of the arrow increases the flow of water to the outlet.

## Operation - Temperature Control



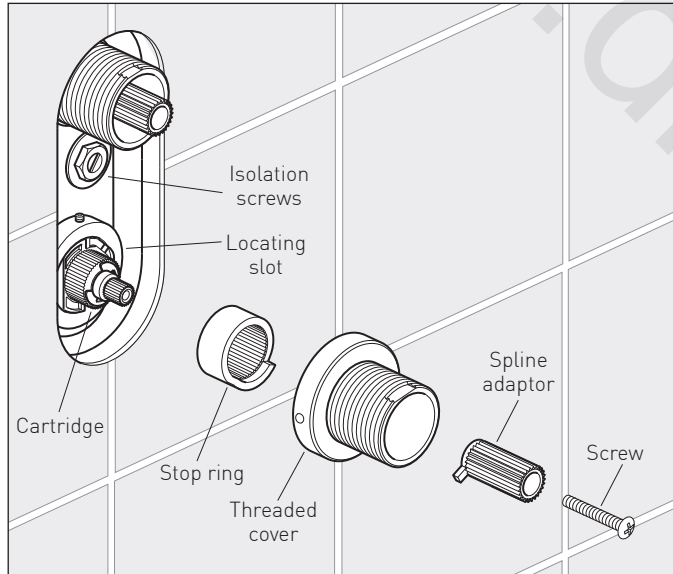
Turning the temperature control handle in the direction of the arrows increases/decreases the temperature

## Maintenance

We advise that the below is carried out annually as failure to do so may result in invalidation of warranty. Shut off the water supply to both hot and cold inlets, before commencing any maintenance work below. See isolation procedure on page 9.

### Thermostatic cartridge

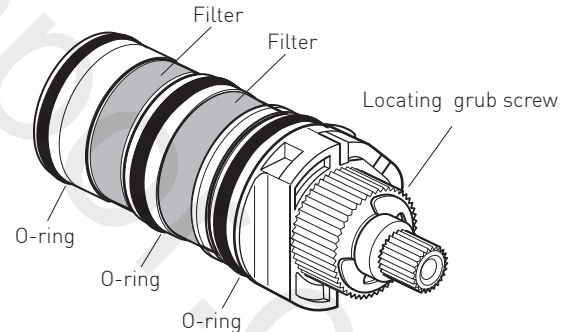
This thermostatic valve is fitted with a single filtering facility. Filters are fitted on the thermostatic cartridge. Depending on the water quality, filters may become dirty, causing reduced flow and inefficient working of the valve. To clean the filters, you must first remove the cartridge from the housing.



## Maintenance

### Removing the Cartridge

1. Shut off the water supply to both inlets at the isolating valves. Ensure the thermostatic valve has been successfully isolated. See page 9 for correct procedure.
2. After removal of handle assemblies, wall plate, stop adaptor, and stop ring, use a 2mm hex key to loosen the grub screw in the bottom threaded section, then unscrew the entire bottom threaded thermostatic housing. For more information see the installation manuals.
3. Carefully pull out the thermostatic cartridge.
4. Clean filters by rinsing them under running water to remove any debris.
5. If there is limescale deposits then it is recommended to immerse the cartridge for a few minutes in 50% white vinegar + 50% hot water, brush the filters gently and then rinse under running water to clean all particles. If this is not effective, a replacement cartridge should be fitted.
6. Before reassembling the cartridge, clean its housing with a wet cloth and grease the 'O' rings using a suitable silicone grease, insert the thermostatic cartridge.

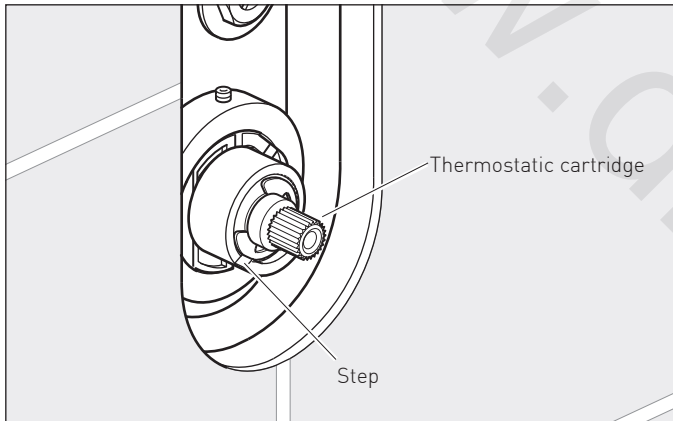


## Maintenance

7. Place the temperature stop ring on the cartridge so the stop is located at 8 o'clock followed by the stop adaptor.
8. Replace the thermostatic housing, and tighten the grubscrew.
9. Turn the water supply on via the isolating valves.
10. Check the water temperature to ensure correct commissioning.

**See page 10 of the installation instructions or Vado.com for commissioning.**

11. Replace handle assemblies and plate.



## Maintenance

### Isolation procedure

#### IMPORTANT:

Please see the below procedure for isolating Arrondi concealed thermostatic valve.

1. Remove handles/faceplate and trim parts allowing access to the isolation points on the valve.
2. Screw down the isolation screws clockwise until you feel a resistance (taking care not to over tighten).
3. Turn shower on to check isolation, please ensure that your body/hands are not under the flow of water as there is a potential for delivery of hot water.
4. Remove the stop adaptor and temperature stop ring.
5. With shower in the on position, replace stop adaptor and temperature handle on thermostatic valve (ensure temperature stop ring has been removed).
6. Turn temp handle fully anti-clockwise until stop point is reached and can be turned no further, please ensure that your body/hands are not under the flow of water as there is potential for delivery of hot water if isolation has been unsuccessful.
7. Turn temperature handle fully clockwise until you feel a resistance.
8. If there is no flow of water coming from the outlet during both points 6 and 7 isolation has been successful, you may now remove and maintain the thermostatic cartridge.
9. If at any of the above points water continues to flow please isolate at an alternative point within the system for both hot and cold and repeat points 3-9.

## Parts List

Item	Part	Code	Qty
1	Lever Handle	ARR-7-CP	1
2	Cross Handle	ARR-8-CP	1
3	Plate	TAB-0024/ARR-CP	1
4	Cartridge- Thermo	V-704-34S	1
5	Cartridge- Diverter	FL-802-33/2MX	1
6	NRV	TAB-003A-FIL	2
7	NRV Housing	TAB-003A-FIL-HOUSING	2
8	Stop Ring	TAB-STOPRING/ARR	1
9	Diverter housing	TAB-DIVHOUSING/ARR	1
10	Thermo housing	TAB-TEMPHOUSING/ARR	1
11	Manuals	INSTALLATION GUIDE & USER MANUAL	1

## Parts:

