

STR TS1875 CDC C

COMMERCIAL Shower Range

TS1875 Stratus Concealed Shower Valve



Specification

Finish/Colour:	Chrome
Main Construction Material:	Brass
No of Controls:	2
Shower Type:	Concealed Shower
Shower Head Type:	N/A
Valve/Cartridge Type:	Thermostatic
Maximum Hot Water Supply Temperature	80
Maximum Static Pressure: (bar)	8
Plumbing System Suitability:	All, Preferably Balanced
Working Pressure Range: bar	0.2-5
Connection Inlet:	15mm Compression Elbows
Connection Outlet:	1/2" BSP
Isolation Valve Included:	No
Check Valve Included:	Yes

Features:

- Anti - vandal stainless steel concealing plate
- Separate control for both temperature and flow
- High performance at pressures as low as 0.2 bar
- Automatic thermostatic shut-off in the event of hot or cold water failure
- Check valves and serviceable

Product Certifications:



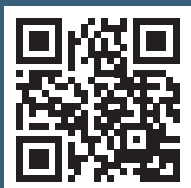
Expiry Date : 30/11/2018
Cert Number : 1311020



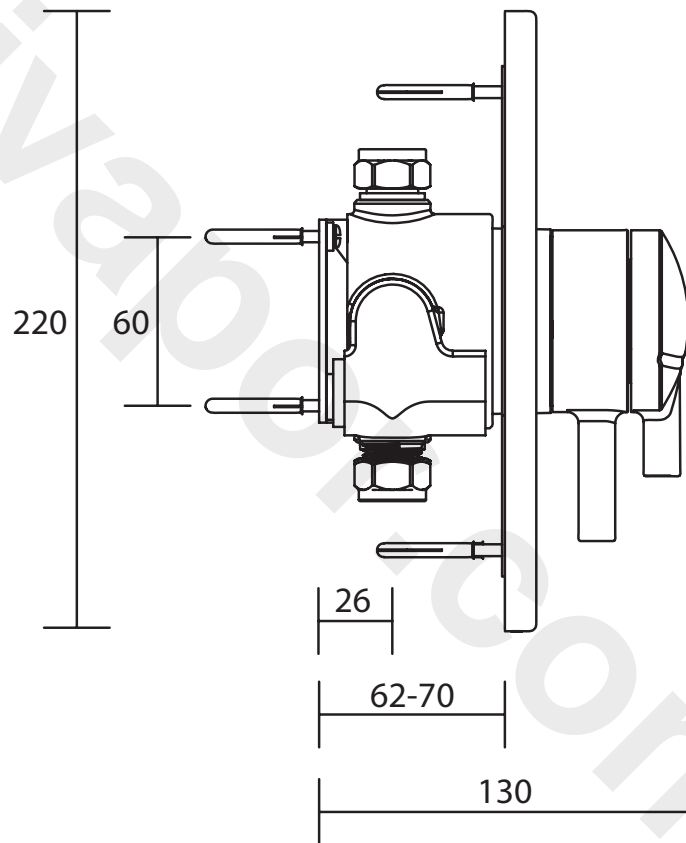
Expiry Date : 06/07/2023
Cert Number : NSF2015/0718



For more products, visit our website:
<http://www.bristan.com>



Dimensions (measurements in mm)



Flow Rates (l/min)

System Pressure (bar)	0.2	0.5	1	2	3	5
Flow Limiter Fitted	4.47	6.97	7.4	8.27	9.1	9.53

TECHNICAL DATA SHEET



BRISTAN

TAPS & SHOWERS

D4