

SOLO2-T3LL

COMMERCIAL Tap Range

Solo2 Basin Mixer with Long Lever and copper tails (no waste)



Specification

Product Type:	Commercial
Main Construction Material:	Brass
Mount Type:	Deck Mounted
Handle Type:	Lever
Connection Inlet:	15mm Compression Copper Tails
Connection Outlet:	Open or Aerator Options Available
Number of Tap Holes:	1
Valve/Cartridge Type:	Thermostatic Cartridge
Plumbing System Requirements:	All, Ideally Balanced
Working Pressure Range:	Min 0.2 Bar, Max 5.0 Bar
Maximum Hot Water Temperature: °C	60
Maximum Static Pressure: (bar)	10
Flow Type:	Single
Isolation Included:	No

Features:

- Easy to use long lever single sequential control for temperature and flow
- Long handle for easier elbow / closed fist use
- Complies with HTM04-01
- Automatic thermostatic shutoff in the event of hot or cold water failure
- Above basin access to serviceable parts, limiting down time

Product Certifications:



WRAS Expiry Date : 30/09/2021
WRAS Cert Number : 1609024



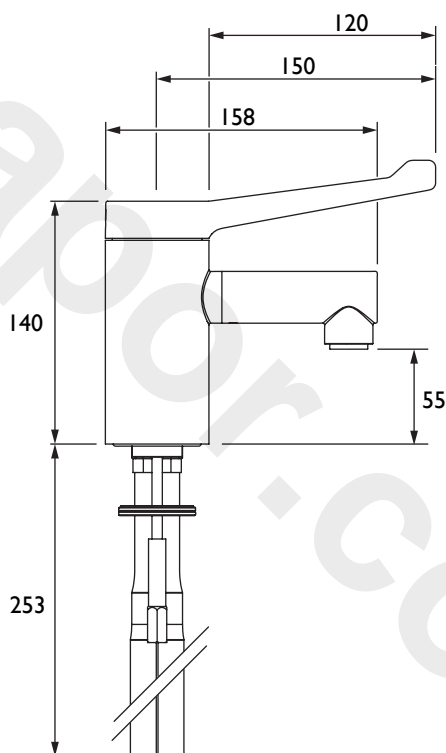
TMV3 Expiry Date : 21/11/2021_
TMV3 Cert Number : BC1741/1116



For more products, visit our website:
<http://www.bristan.com>



Dimensions (measurements in mm)



Flow Rates (l/min)

System Pressure (bar)	0.2	0.5	1	2	3	5
SOLO2-T3LL	2.2	2.2	4.1	4.1	4.1	4.6

TECHNICAL
DATA
SHEET



BRISTAN

TAPS & SHOWERS

D4