



Features:

- Optimised for UK market, designed to work at pressure range of 0.2 - 5.0bar
- Thermostatic temperature control and automatic stop prevent surges of hot or cold water
- Performance Flow to provide a drenching experience
- Smallest recessed valve on the market, will fit into a 35mm cavity space
- Ceramic disc - for smooth operation and added durability
- Recessed

Product Certifications:



WRAS Cert. Number: I409055
WRAS Expiry Date: 30/09/2019

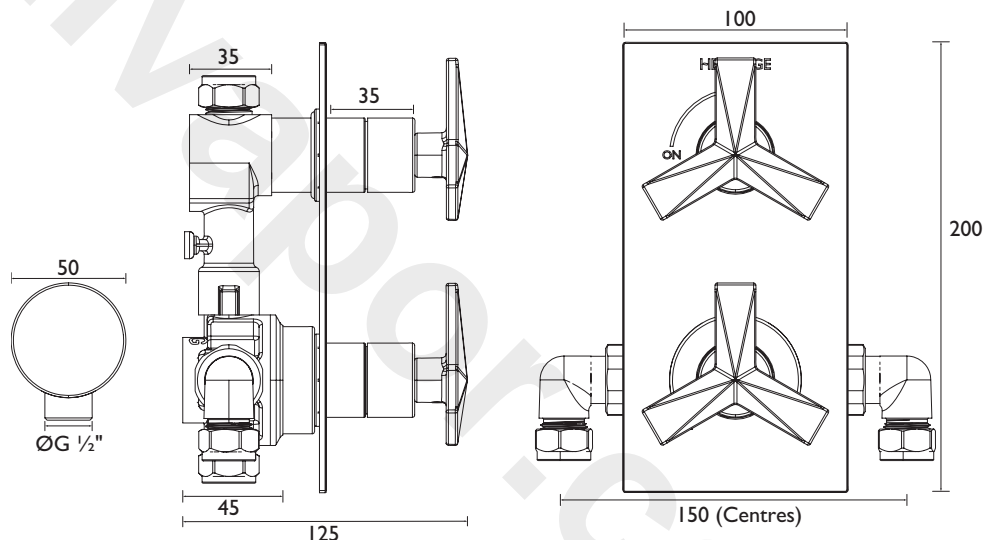


Additional Information:

Specification

Main Construction Material:	Brass
No of Controls:	2
Shower Type:	Recessed Thermostatic Shower
Shower Head Type:	N/A
Handle Type:	Crosshead
Valve/Cartridge Type:	Thermostatic Cartridge
Maximum Hot Water Supply Temperature °C:	65
Maximum Static Pressure: (bar)	10
Plumbing System Suitability:	All - Ideally Balanced
Working Pressure Range:	Min. 0.2 Bar, max. 5.0 Bar
Connection Inlet:	15mm Compression
Connection Outlet:	15mm Compression & G 1/2"
Isolation Valve Included:	No
Check Valve Included:	Yes

Dimensions (measurements in mm)



Flow Rates (l/min)

System Pressure (bar)	0.2	0.5	1	2	3	5
Through Handset (mixed)	4.11	6.5	9.19	13	15.92	20.55