

SGRDMOPDUAL01

GRACECHURCH Shower Range

Gracechurch Exposed Shower with Mother of Pearl Handles
Deluxe Fixed Riser Kit & Diverter to Handset Chrome



Features:

- 5 Year Guarantee
- Chrome plated to BS EN 248:2002
- Supplied with 2x 8 litres per minute flow regulators, rigid riser,
- shower rose, handset, 200mm shower hose and soap dish
- Adjustable inlet centres mean you can use existing pipework
- with centres measuring anything between 136mm and 158mm.
- Factory fitted regulators means this is a water saving shower
- Matching taps available

Product Certifications:

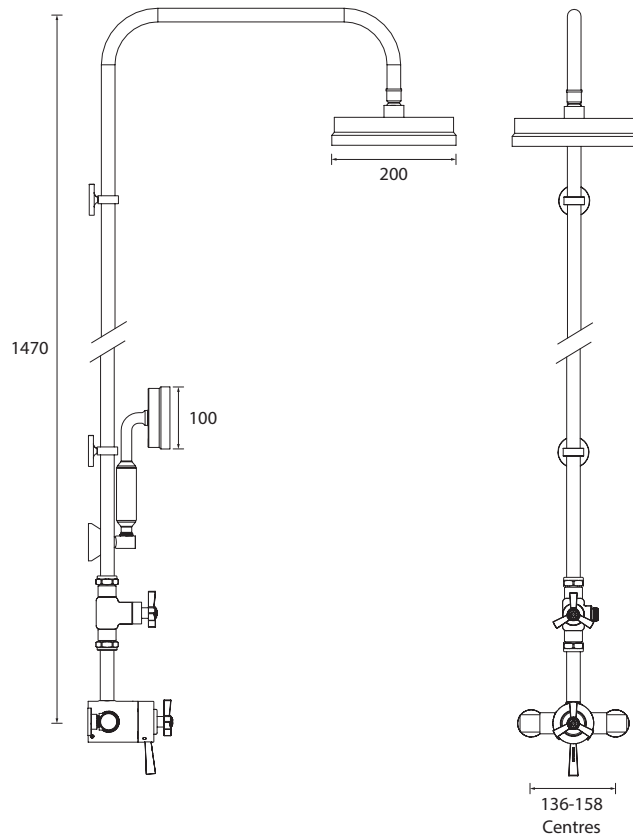


Additional Information:

Specification

Main Construction Material:	Brass
No of Controls:	3
Shower Type:	
Shower Head Type:	
Valve/Cartridge Type:	
Maximum Hot Water Supply Temperature °C:	65
Maximum Static Pressure: (bar)	10
Plumbing System Suitability:	Suitable for all plumbing systems, preferably
Working Pressure Range:	Min 0.1 Bar, Max 5.0 Bar
Connection Inlet:	15mm Compression
Connection Outlet:	1/2"
Isolation Valve Included:	N
Check Valve Included:	N

Dimensions (measurements in mm)



Flow Rates (l/min)

System Pressure (bar)	0.2	0.5	1	2	3	5
With Flow Regulators	6.71	10.6	15	15.2	15.6	15.5
Without Flow Regulators	9.1	16.6	25.1	35.5	43.47	56.13

TECHNICAL DATA SHEET



HERITAGE[®]

BATHROOMS

D2