

### Specification

|                                          |                             |
|------------------------------------------|-----------------------------|
| Main Construction Material:              | Brass                       |
| No of Controls:                          | 2                           |
| Shower Type:                             | Exposed Thermostatic Shower |
| Handle Type:                             | Crosshead                   |
| Valve/Cartridge Type:                    | Thermostatic Cartridge      |
| Maximum Hot Water Supply Temperature °C: | 65                          |
| Maximum Static Pressure: (bar)           | 10                          |
| Plumbing System Suitability:             | All - Ideally Balanced      |
| Working Pressure Range:                  | Min. 0.2 Bar, Max. 5.0 Bar  |
| Connection Inlet:                        | 15mm Compression            |
| Connection Outlet:                       | 15mm Compression            |
| Isolation Valve Included:                | No                          |
| Check Valve Included:                    | Yes                         |

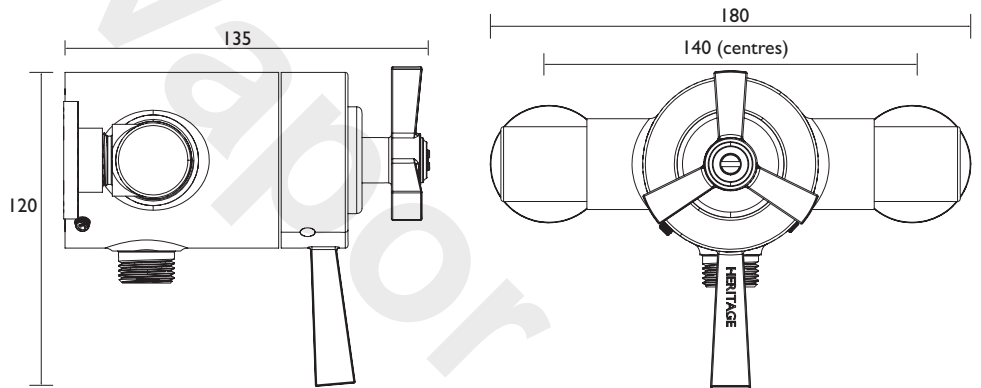
### Features:

- Optimised for UK market, designed to work at pressure range of 0.1 - 5.0 bar
- Thermostatic temperature control and automatic stop prevent surges of hot or cold water
- Performance Flow to provide a drenching experience
- Adjustable inlet centres, allowing you to use existing pipework with centres measuring anything between 136mm and 158mm.
- Exposed

### Product Certifications:



### Dimensions (measurements in mm)



### Additional Information:

### Flow Rates (l/min)

| System Pressure (bar)   | 0.2  | 0.5 | 1    | 2    | 3    | 5    |
|-------------------------|------|-----|------|------|------|------|
| Through Handset (mixed) | 6.04 | 13  | 13.5 | 15.3 | 15.4 | 15.5 |
|                         |      |     |      |      |      |      |
|                         |      |     |      |      |      |      |