

# PM2 CSHXVO C

## PRISM Shower Range Prism Exposed Concentric Shower Valve Only Chrome



### Specification

<b>Style:</b>	Contemporary
<b>Finish/Colour:</b>	Chrome
<b>Main Construction Material:</b>	Brass
<b>No of Controls:</b>	2
<b>Shower Type:</b>	Concentric
<b>Temperature Control:</b>	Thermostatic
<b>Shower Head Type:</b>	
<b>Maximum Temperature Setting: °C</b>	42
<b>Maximum Hot Water Temperature: °C</b>	65
<b>Dynamic Pressure Range: (bar)</b>	Min 0.2 Bar, Max 5.0 Bar
<b>Maximum Static Pressure: (bar)</b>	10
<b>Plumbing System Suitability:</b>	Suitable for all plumbing conditions
<b>Flow Rate (l/min @ 3 bar)</b>	12.5
<b>Flow Regulator:</b>	Yes
<b>Connection Inlet:</b>	15mm Compression
<b>Connection Outlet:</b>	15mm Compression
<b>Isolation Valve Included:</b>	No
<b>Check Valve Included:</b>	Yes

### Features:

- Bottom outlet
- Adjustable inlet centres mean you can use existing pipework with centres between 136mm and 158mm
- Supplied with 8l/m flow limiters
- Matching taps available
- Chrome plated to BS EN 248

### Product Certifications:

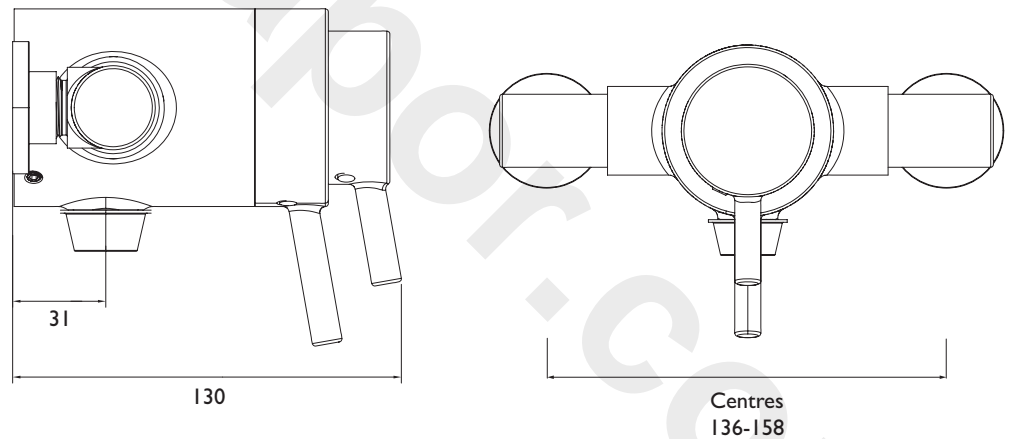
WRAS Certificate No: 1702038



For more products, please visit our website:



### Dimensions (measurements in mm)



### Flow Rates (l/min)

System Pressure (bar)	0.1	0.2	0.5	1	2	3	4	5
With Flow Regulators	4.5	6.3	11.8	14.1	13.8	13.6	12	10.6
Without Flow Regulators	4.9	8.5	15	21.9	31	37.9	43.8	49

## TECHNICAL DATA SHEET



# BRISTAN

TAPS & SHOWERS