

## **AFTERCARE INSTRUCTIONS**

Your fitting has a high quality finish and should be treated with care to preserve the visible surfaces.

All surface finishes will wear if not cleaned correctly, the only safe way to clean your mixer is to wipe with a soft damp cloth. Stains can be removed using washing up liquid. All bath cleaning powders and liquids will damage the surface of your fitting, even the non-scratch cleaners. **NOTE: Never use abrasive detergents or disinfectants or those containing alcohol, hydrochloric acid or phosphoric acid.**

Bristan recommend E-Cloth for cleaning all of our bathroom & kitchen products. Using just water, E-cloth gives a smear free, deep clean by breaking up and holding dirt, which normal cloths leave behind. Order through your Bristan stockist. (ORDER CODE: ECLOTH)



## **GUARANTEE**

All products are manufactured to the highest standards and a 5 year guarantee covers any defect in manufacture.

**NOTE: The 5-year guarantee on the cartridge is invalidated if damaged by any waterborne debris.**

In the interests of continuous product development we reserve the right to alter specification as necessary

### **PRODUCT IDENTIFICATION CODE LASER ETCHED ON PRODUCT**

Installer please fill in code here \_\_\_\_\_.

### **TELEPHONE HELPLINE: 0844 701 6273**

Bristan Group Limited  
Birch Coppice Business Park  
Dordon  
Tamworth  
Staffordshire  
B78 1SG  
UK  
A Masco Company  
Website: [www.bristan.com](http://www.bristan.com)  
Telephone: 0844 701 6274  
Facsimile: 0844 701 6275  
Email: [enquire@bristan.com](mailto:enquire@bristan.com)

# BRISTAN

## Oval Range

## Fitting Instructions & Contents List

Before starting any installation project please consider:

Prior to drilling into walls, check there are no hidden electrical wires, cables or water supply pipes with the aid of an electronic detector. If you use power tools do not forget:



- Wear eye protection
- Unplug equipment after use

**Please keep these instructions for future reference and request of replacement part**

# CONTENTS

## Description

<u>Description</u>	<u>Page Number</u>
Water Pressure & Safety Note	1
Basin & Bath Taps	2
Bidet Mixer	3 & 6
Basin Mixer without Pop-up waste	4 & 6
Bath Filler & Bath Shower Mixer	5 & 6
Aftercare & Guarantee	Back Page

## WATER PRESSURE

These fittings are suitable for use at all supply pressures. However for optimum use both the hot and cold supplies should be reasonably balanced.

If the fitting is installed at low pressure (tank fed), then the minimum distance from the highest installed position of the shower head to the underside of the cold tank should be 2 metres to ensure adequate shower performance with the Bath Shower Mixer.

This mixer should be installed in compliance with the Water Regulations. Where the supplies are unbalanced, i.e. hot water from cylinder tank / cold from the mains, approved check valves must be fitted in the supply pipes.

For further details contact your Local Water Authority.

Before starting any installation project please consider:

Prior to drilling into walls, check there are no hidden electrical wires, cables or water supply pipes with the aid of an electronic detector. If you use power tools do not forget:

- Wear eye protection
- Unplug equipment after use



## BATH SHOWER MIXER & BATH FILLER

1. Identify all components and check for completeness, particularly before commencing installation.
2. Install the mixer body to the bath using the backnuts (8) and washers (6) provided under the bath.
3. **FOR THE BATH SHOWER MIXER ONLY:** Fit the hose to the mixer, underneath the spout to diverter (11 & 13).
4. Fix the wall bracket to the wall ensuring that the handset and hose will reach it.

Before starting any installation project please consider:

Prior to drilling into walls, check there are no hidden electrical wires, cables or water supply pipes with the aid of an electronic detector. If you use power tools do not forget:



- Wear eye protection
- Unplug equipment after use

5. Connect the hot and cold water supplies and turn water supplies on.
6. Fully open the valves (4) by turning handles (3), letting it run for a few minutes to check for leaks.
7. Operate the mixer in both bath and shower mode. To switch from bath to shower mode, pull the diverter knob (9) up. After use, the mixer automatically reverts to the bath filling mode.

## BASIN /BIDET MIXER WITH/WITHOUT POP-UP WASTE

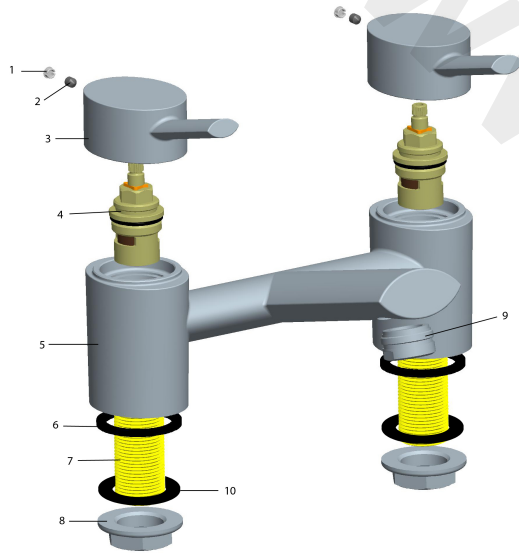
1. Identify all components and check for completeness, particularly before commencing installation.
2. Install mixer to the basin/bidet. Secure the mixer to the surface of the basin/bidet, using the fixing kit, with the washer (8) above basin.
3. Screw in connecting flexi tail pipes by hand **ONLY (DO NOT OVERTIGHTEN)** and then connect the hot and cold supplies.
4. Fit the pop-up waste,(if applicable) with the flat washer below and the shaped washer above the basin/bidet. It is advised that a silicon sealant be applied to both sealing faces of the washers. The plug height can be set by adjusting the waste rod, operating rod, rod connector and then screw in the base of the plug. Friction for the waste mechanism can be adjusted using the waste cap. **(DO NOT OVERTIGHTEN).**

### PLEASE NOTE: (Bidet Mixer Only)

**The operating rod needs to be fed through from the underside of the mixer before fitting to bidet and then screw on operating rod knob. Please make sure waste operating rod fits through the hole in the bidet to connect pop-up waste before final fixing.**

5. Turn on the water supplies. Lift and turn handle both ways for a few minutes, letting the water flow, to check all joints and connections for leaks.
6. See back page for aftercare instructions.

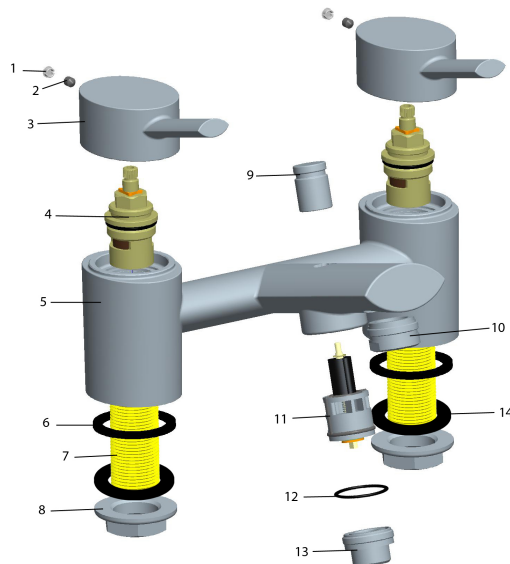
## Bath Filler - OL BF C



### CONTENTS

- |                               |      |
|-------------------------------|------|
| 1. Cap                        | (x2) |
| 2. Grub Screw                 | (x2) |
| 3. Head                       | (x2) |
| 4. Valve                      | (x2) |
| 5. Body                       | (x1) |
| 6. Washer                     | (x2) |
| 7. Inlet Tails                | (x2) |
| 8. Backnut                    | (x2) |
| 9. Flow Straightener Assembly | (x1) |
| 10. Washer                    | (x2) |

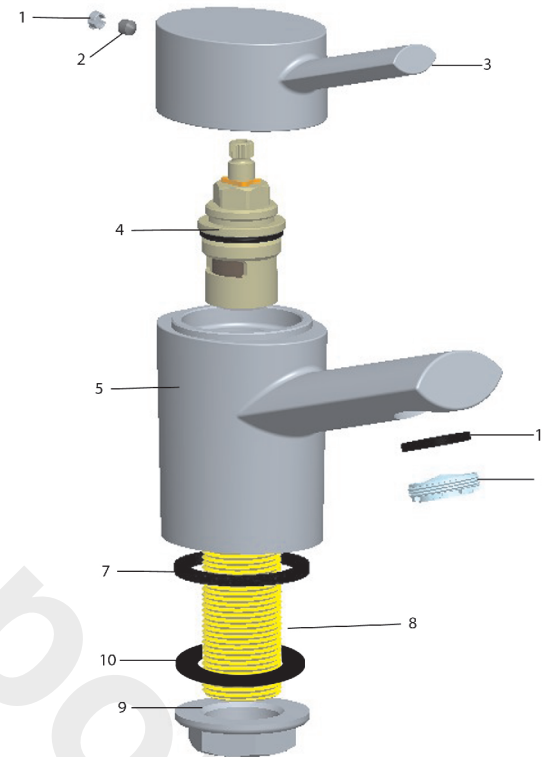
## Bath Shower Mixer - OL BSM C



### CONTENTS

- |                                |      |
|--------------------------------|------|
| 1. Cap                         | (x2) |
| 2. Grub Screw                  | (x2) |
| 3. Head                        | (x2) |
| 4. Valve                       | (x2) |
| 5. Body                        | (x1) |
| 6. Washer                      | (x2) |
| 7. Inlet Tails                 | (x2) |
| 8. Backnut                     | (x2) |
| 9. Diverter Knob               | (x1) |
| 10. Flow Straightener Assembly | (x1) |
| 11. Diverter Valve             | (x1) |
| 12. O-Ring                     | (x1) |
| 13. Hose Outlet                | (x1) |
| 14. Washer                     | (x2) |

## Basin & Bath Taps - (Pair) OL 1/2 C & OL 3/4 C



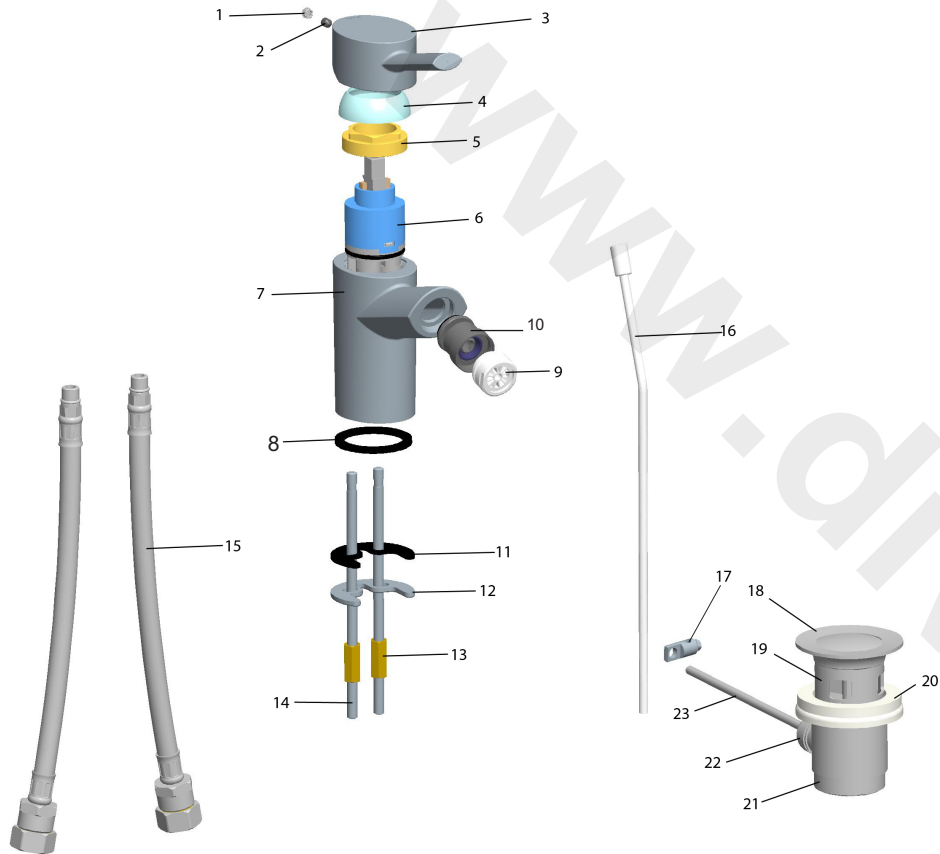
### CONTENTS

- |                      |      |
|----------------------|------|
| 1. Cap               | (x2) |
| 2. Grub Screw        | (x2) |
| 3. Head              | (x2) |
| 4. Valve             | (x2) |
| 5. Body              | (x2) |
| 6. Flow Straightener | (x2) |
| 7. Rubber Washer     | (x2) |
| 8. Inlet Tail        | (x2) |
| 9. Backnut           | (x2) |
| 10. Washer           | (x2) |
| 11. Washer           | (x2) |

### BASIN & BATH TAPS

1. Identify all components and check for completeness, particularly before commencing installation.
2. Install the taps to the basin/bath. The backnut (9) and washer (10) are used to secure the taps to the surface of the basin/bath with the washers (7) above.
3. Connect the hot and cold water supplies.
4. Turn on the water supplies. Open both taps, letting the water flow for a few minutes to check all joints and connections for leaks.

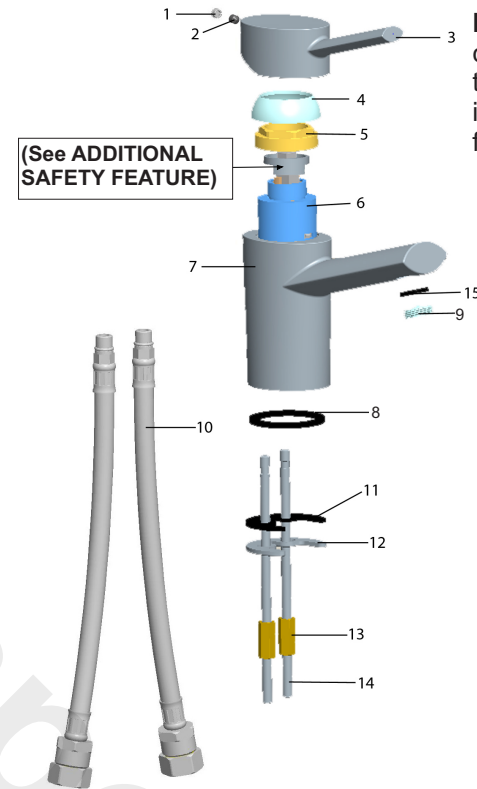
## Bidet Mixer - OL BID C



### CONTENTS

1. Cap	(x1)	13. Fixing Nuts	(x2)
2. Grub Screw	(x1)	14. Fixing Studs	(x2)
3. Head	(x1)	15. Flexi Tails	(x2)
4. Shroud	(x1)	16. Operating Rod	(x1)
5. Locking Nut	(x1)	17. Pop-up Link	(x1)
6. Cartridge	(x1)	18. Waste Plug	(x1)
7. Body	(x1)	19. Waste Flange	(x1)
8. Washer	(x1)	20. Waste Washers	(x2)
9. Flow Straightener	(x1)	21. Waste Body	(x1)
10. Nozzle Assembly	(x1)	22. Friction Adjustment Screw	(x1)
11. Rubber 'C' Washer	(x1)	23. Horizontal Rod	(x1)
12. Metal 'C' Washer	(x1)		

## Basin Mixer - OL EBASNW C



**NOTE: OL EBASNW C** has a click position to encourage the use of less water. For increased flow, the Eco Click feature can be overridden.



### CONTENTS

1. Cap	(x1)
2. Grub Screw	(x1)
3. Head	(x1)
4. Shroud	(x1)
5. Locking Nut	(x1)
6. Cartridge	(x1)
7. Body	(x1)
8. Washer	(x1)
9. Flow Straightener	(x1)
10. Flexi Tails	(x2)
11. Rubber 'C' Washer	(x1)
12. Metal 'C' Washer	(x1)
13. Fixing Nuts	(x2)
14. Fixing Studs	(x2)
15. Washer	(x1)

### ADDITIONAL SAFETY FEATURE

This mixer tap incorporates a facility to limit/reduce the maximum hot water from the tap.

Remove the handle by pulling the cap (1) out of the handle at the back and undo the grub screw (2) then pull off handle. A small plastic collar (temperature limiting ring) can be seen between the cartridge retaining nut (5) and the control shaft. Carefully prise the plastic collar upwards using a small screwdriver or similar tool. By replacing in a slightly different position by either rotating either to the left or the right, this can limit the lever movement (when moved towards the hot or the cold side), thus allowing the maximum hot temperature to be altered as required.

### ECO CLICK

An innovative water saving feature that offers a subtle resistance as it reaches, approximately half of its full flow capability. For increased flow this feature can be overridden. At full flow the click cartridge uses 32% less water than a standard cartridge and when in eco click mode the reduction increases to 72%.

