



Features:

- 15mm inlet connection
- 15mm outlet connections
- Requires minimum cavity depth of 65mm
- High performance even at low pressures
- 5 way option diverts to 3 outlets

Product Certifications:

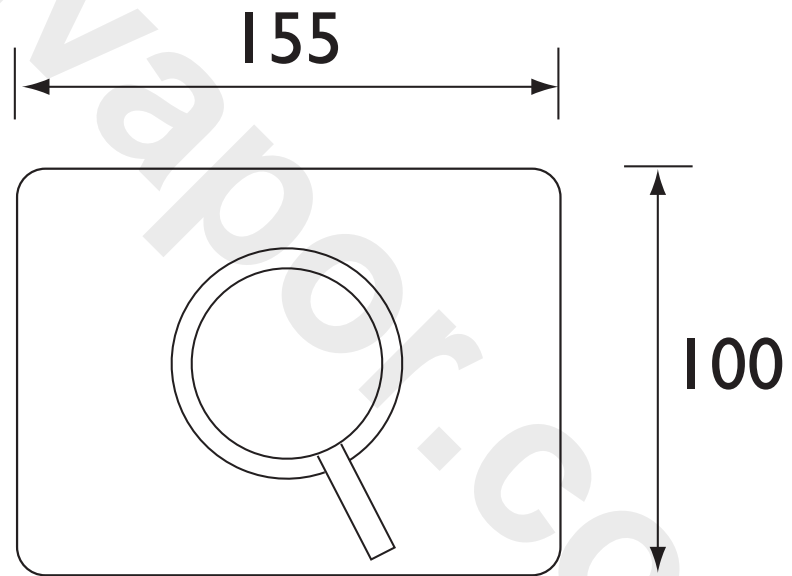
For more products, visit our website:
<http://www.bristan.com>



Specification

Finish/Colour:	Chrome Plated
Main Construction Material:	Brass
No of Controls:	1
Shower Type:	Single Control
Valve/Cartridge Type:	Diverter Cartridge
Maximum Hot Water Supply Temperature °C:	65
Maximum Static Pressure: (bar)	10
Plumbing System Suitability:	All, preferably balanced
Minimum Dynamic Pressure:	0.2 bar
Connection Inlet:	15mm Compression Connections
Connection Outlet:	15mm Compression Connections
Isolation Valve Included:	No
Check Valve Included:	No

Dimensions (measurements in mm)



Flow Rates (l/min)

System Pressure (bar)	0.2	0.5	1	2	3	5
Outlet 1	10.51	16.9	24.2	30.5	43.28	54.2
Outlet 2	10	16.9	23.9	34.4	42	53.2
Outlet 3	8.5	12.5	20.6	29.6	36.5	46.2

TECHNICAL DATA SHEET



BRISTAN

TAPS & SHOWERS