



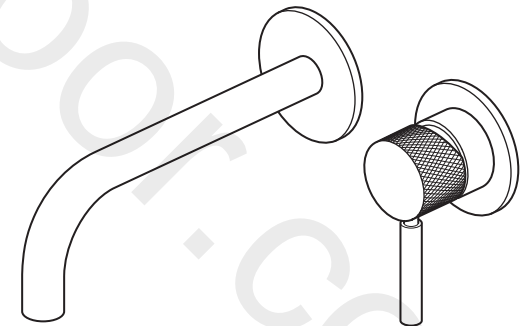
where inspiration flows

## KNURLED ACCENTS

Installation Guide  
Single lever wall mounted basin mixer

ORI-209S/A-CPK  
ORI-209-2-CPK

This instruction booklet covers these models:  
ORI-209S/A-CPK, ORI-209-2-CPK



Vado  
Wedmore Road, Cheddar, Somerset, England BS27 3EB  
tel 01934 744466 fax 01934 744345  
aftersales@vado.com  
www.vado.com



## Important - please read

Please read these instructions carefully before starting installation and keep for future reference.

Remove all packaging and check the product for missing parts or damage before starting installation.

Any alterations made to this product and fittings may infringe water regulations and will invalidate the guarantee.

The installation must comply with all Local/National Water Supply Authority Regulations/Byelaws and Building and Plumbing Regulations.  
To be installed in accordance with BS EN806.

We strongly recommend that you use a qualified and registered plumber.

## General installation

This fitting is a mixing device and therefore water supplies should be reasonably balanced.

When installed, the fitting must comply with the requirements of the Water Supply (Water Fittings) Regulations 1999 and Scottish Byelaws 2004.

For further information, contact the Water Regulations department of your local water supplier (see the WRAS website [www.wras.co.uk](http://www.wras.co.uk) for details) or the Water Regulations Advisory Scheme by email ([info@wras.co.uk](mailto:info@wras.co.uk)) or telephone: 01495848454.

Before making any inlet pipe connections, all supply pipes MUST be thoroughly flushed to remove debris. Failure to do so could result in damage or low flow from the mixer unit. Water Supply (Water Fittings) Regulations 1999 Schedule 2 Section 13.

The fitting of isolating valves to the inlet feeds is advised for ease of maintenance.

Please take great care when installing this mixer not to damage its surface.

Please note if installing in an enclosed environment, access should be left for servicing and maintenance. No costs relating to inadequate access can be accepted.

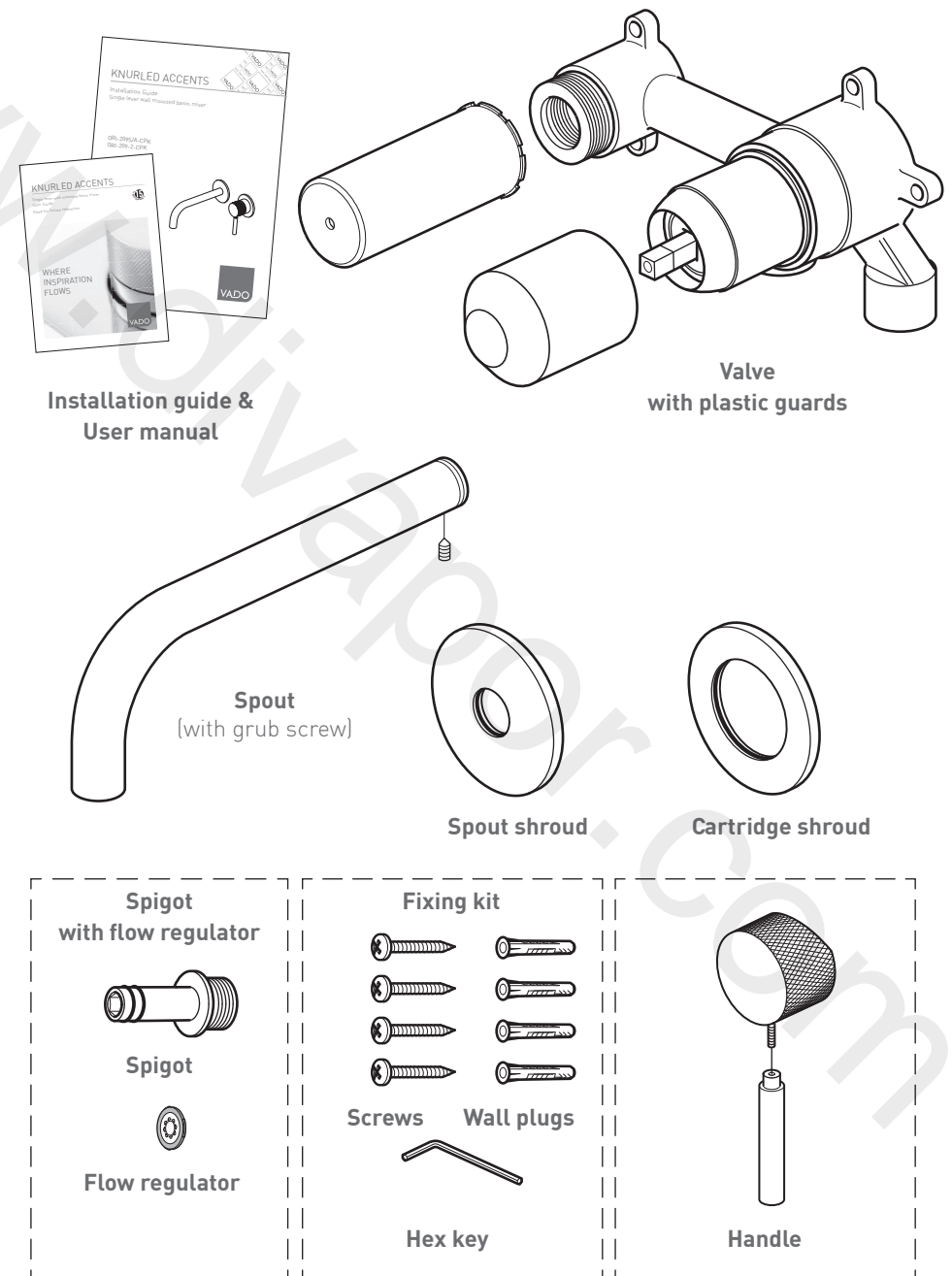
## Operating Specifications

### Operating Pressure

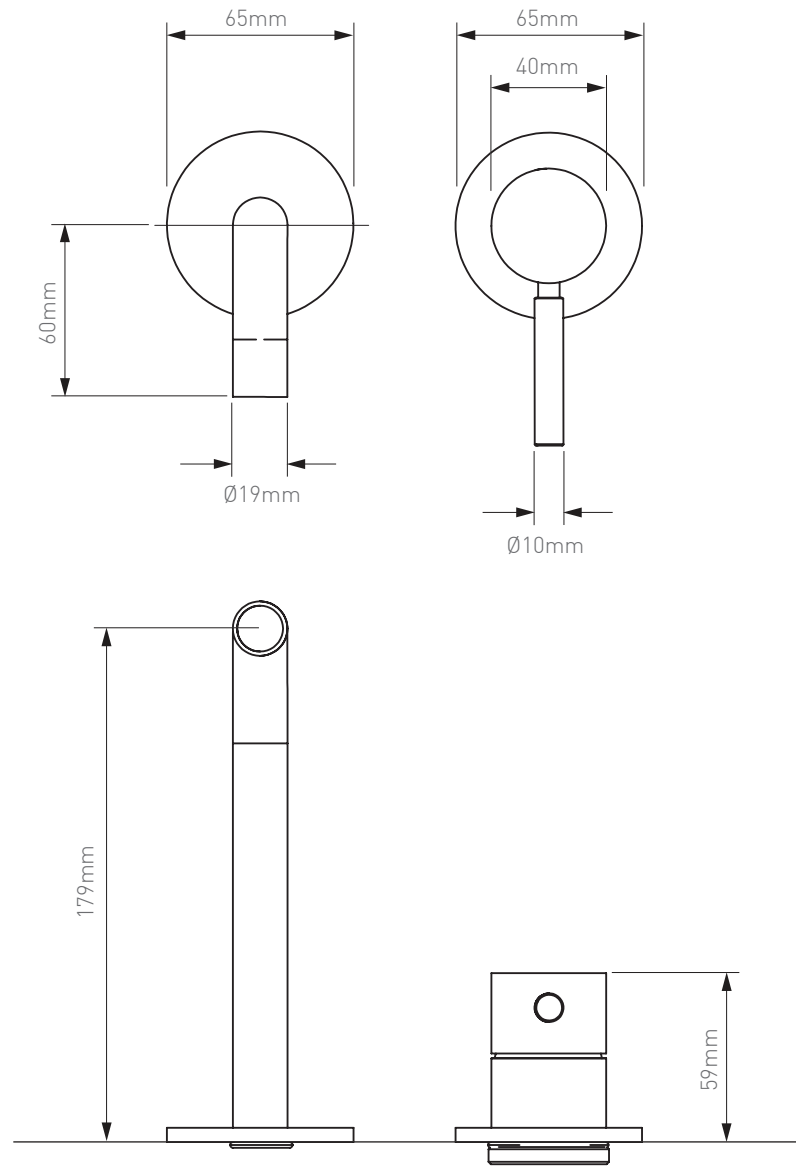
Minimum operating pressure **0.2 bar** (see page 10 for low pressure system).

Maximum operating pressure **5 bar**

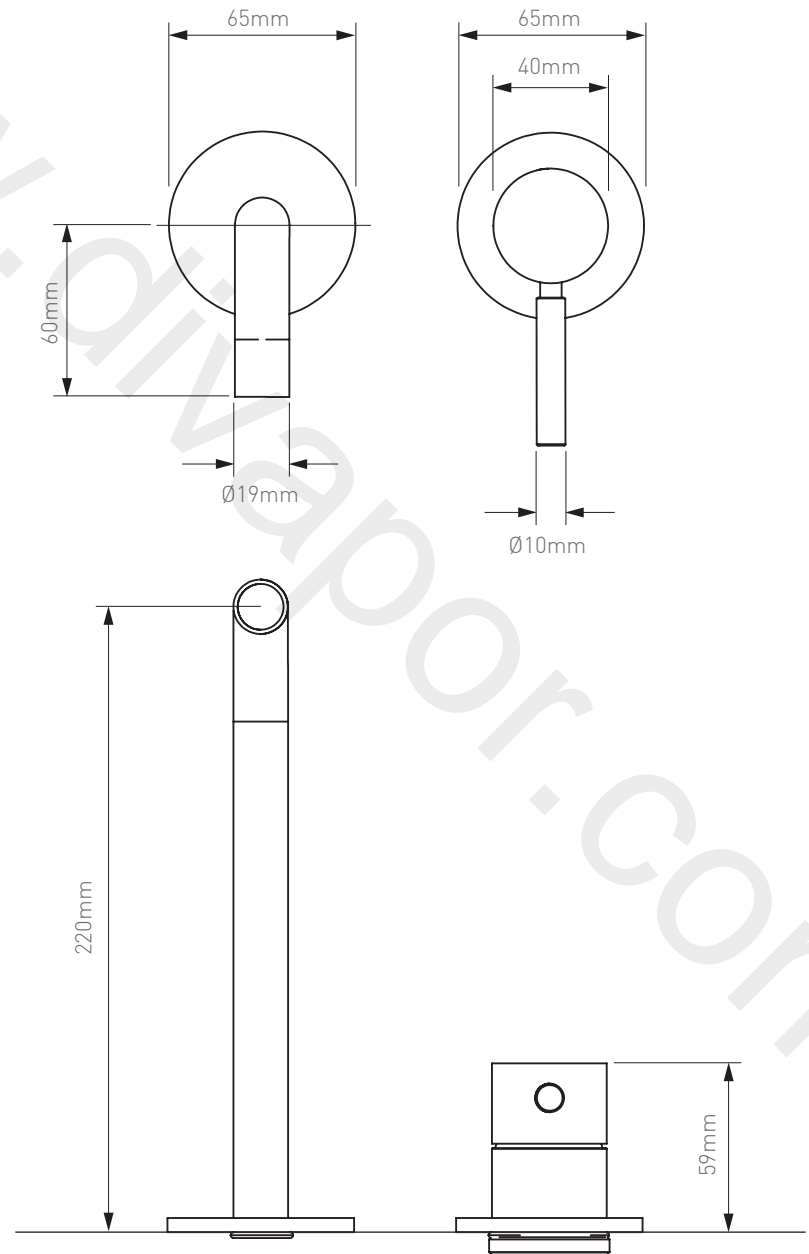
## Contents of Packaging



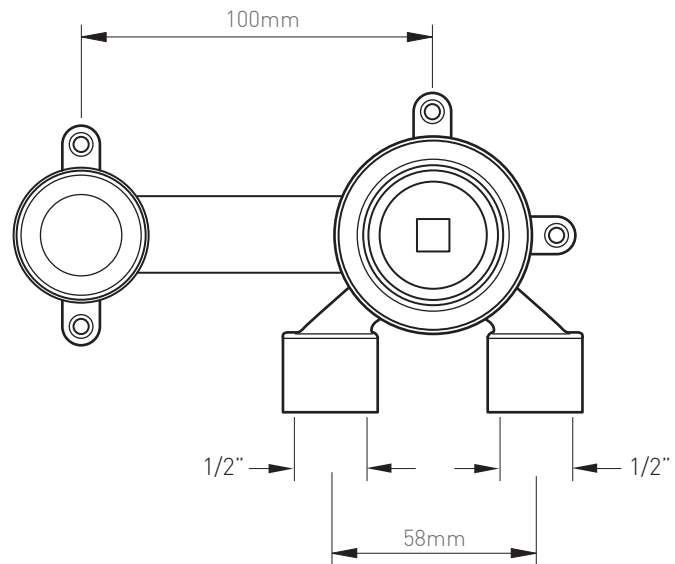
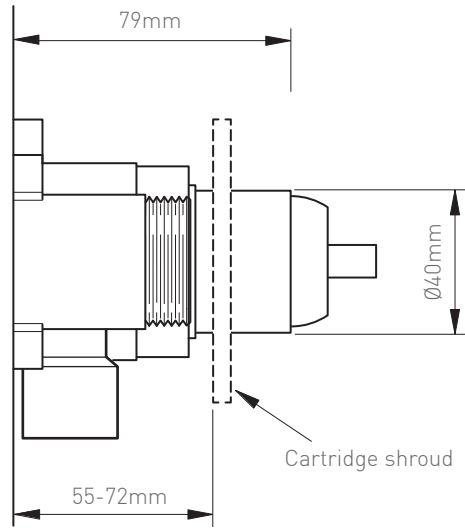
## Dimensions - short spout



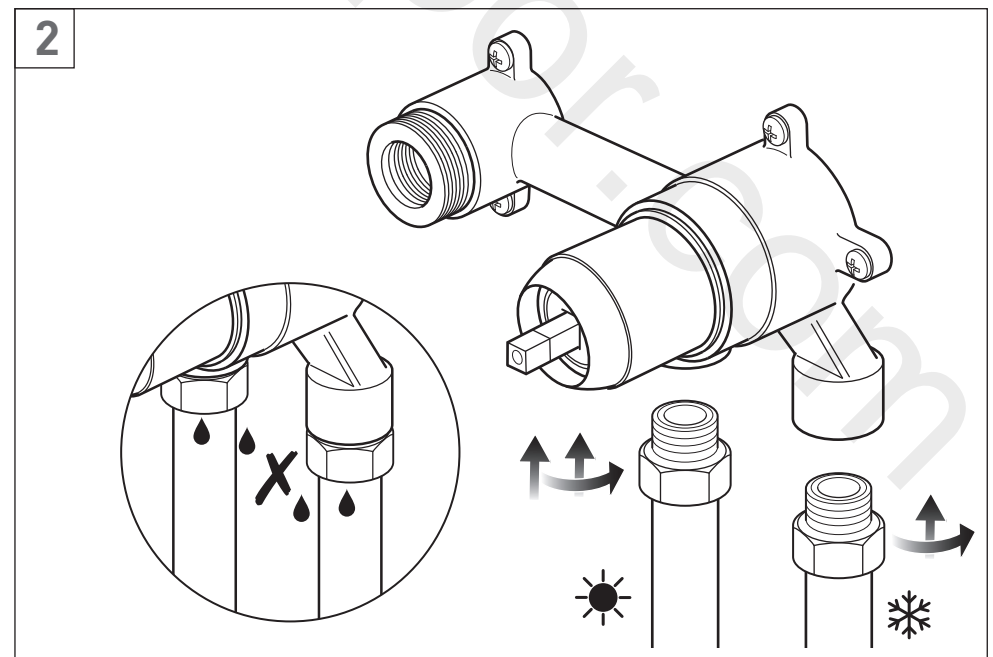
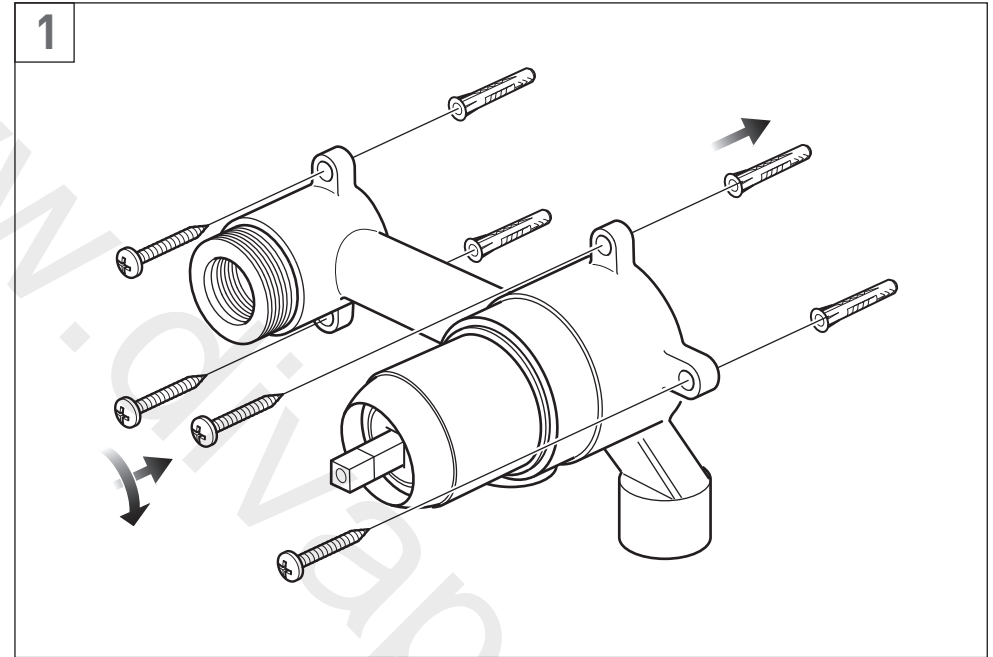
## Dimensions - long spout



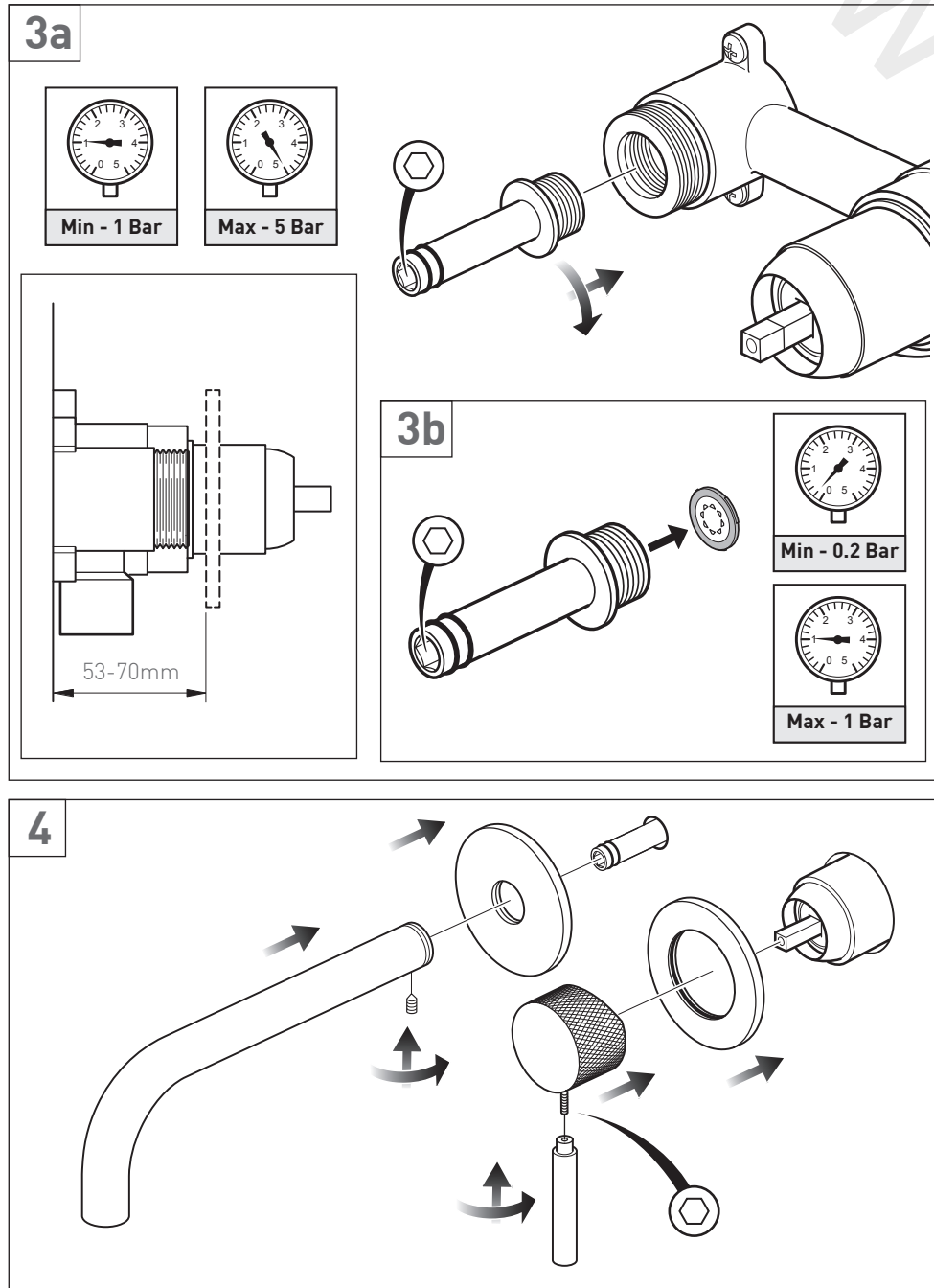
## Dimensions - valve



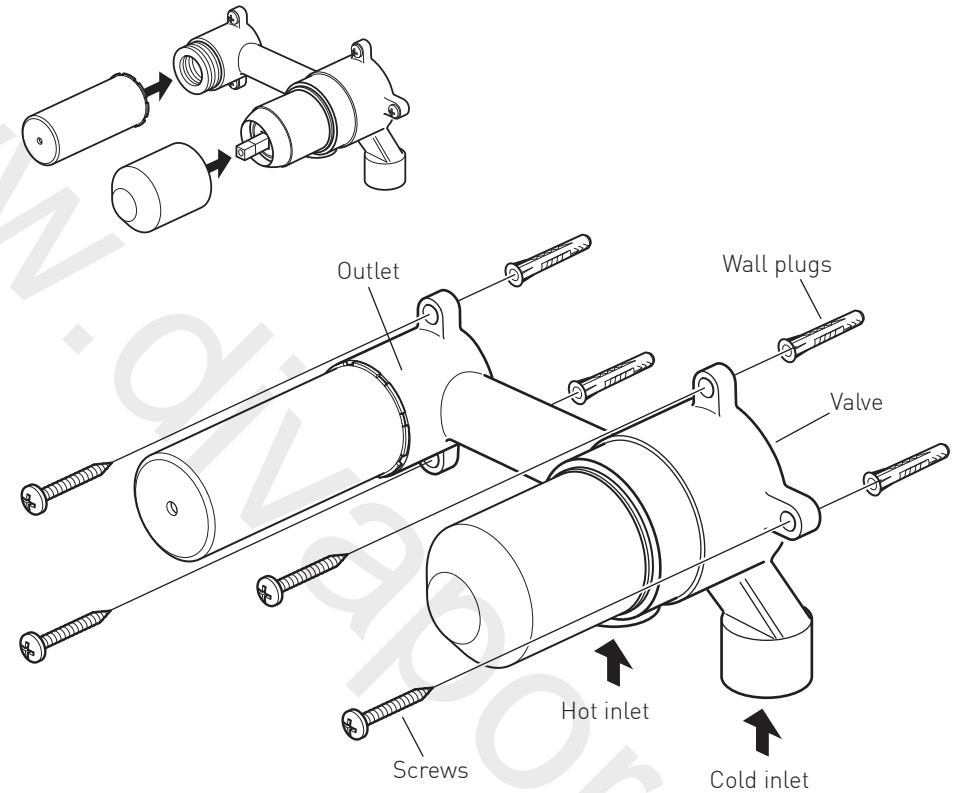
## Installation - Quick guide



## Installation - Quick guide



## Installation



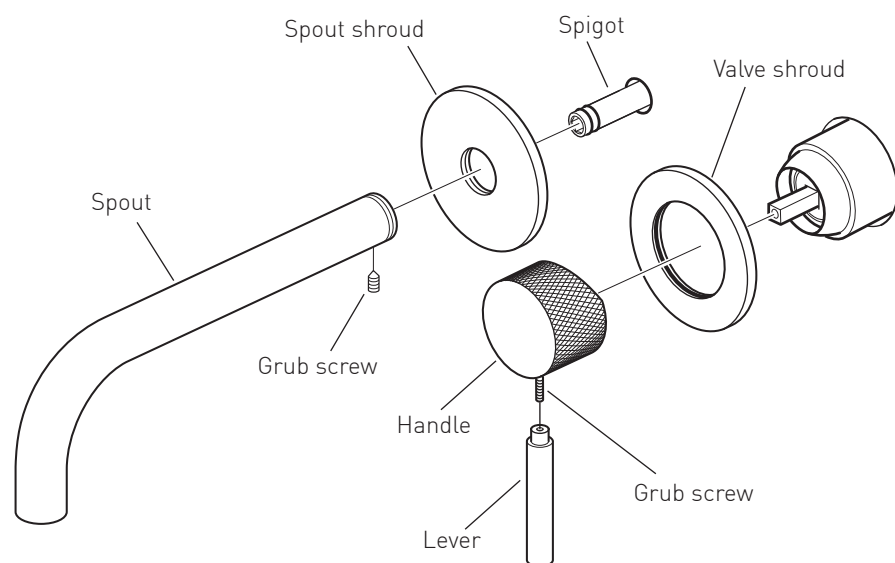
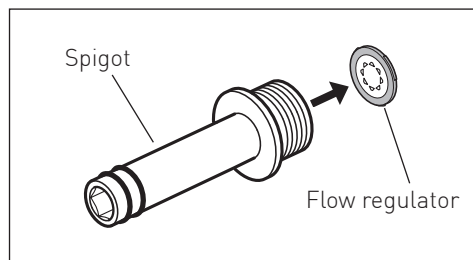
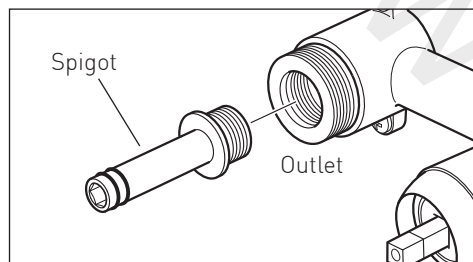
- ⚠ Warning!** Please check for any hidden cables and pipes before drilling holes in the wall.
- Before installing your new mixer, flush through pipework to ensure removal of debris, turn off the water supply.
- Leave the plastic guards on during installation to avoid any damage to the valve.
- The valve must be set into the wall. Please see page 6 for depth requirement dimensions.
- Offer the valve up to the wall, mark the 4 wall fixing positions and drill holes to take suitable wall plugs and screws. Fix in position.
- Make all connections to the valve. Connect hot supply to the left inlet and cold supply to the right inlet.

## Installation

Screw the spigot into the valve and tighten with hex key.

**NOTE:** if you have a low pressure system (~0.2 bar) remove the red flow regulator from the spigot. This can be done by gently pushing a thin tool down the end of the spigot before it is screwed into the outlet.

Before completing the wall finish, turn water supply on, check the leak tightness and function of the fitting. Finish wall up to plastic guards, remove guards.



Slide the shroud over the valve, push onto the wall until it makes contact.

Carefully slide the control handle onto the valve and secure in position with the grub screw within the handle using the hexagonal key supplied, screw on the lever.

Screw the spout into the shroud. Push the spout over the spigot, secure using the grub screw on the underside.

## Notes