

# OP THBF DML C

## OPAC Tap Range Opac Thermostatic Dual Control Deck Mount Bath Filler with Chrome Levers



### Specification

<b>Product Type:</b>	Bathroom Tap
<b>Main Construction Material:</b>	Brass
<b>Mount Type:</b>	Deck Mounted
<b>Handle Type:</b>	Lever Handles
<b>Connection Inlet:</b>	3/4" BSP
<b>Connection Outlet:</b>	1/2" BSP
<b>Number of Tap Holes:</b>	2
<b>Valve/Cartridge Type:</b>	Thermostatic Cartridge 34.5mm
<b>Plumbing System Requirements:</b>	Suitable for all plumbing systems
<b>Minimum Dynamic Pressure:</b>	0.2 Bar
<b>Maximum Dynamic Pressure:</b>	5.0 Bar
<b>Maximum Hot Water Temperature: °C</b>	80
<b>Maximum Static Pressure: (bar)</b>	10
<b>Flow Type:</b>	Single Flow
<b>Isolation Included:</b>	No

### Features:

- Cool touch body for ultimate user safety
- Easy to use dual lever controls
- Integral isolator and easy clean filters
- Automatic thermostatic shutoff in the event of hot or cold water failure
- Pre-set maximum temperature at 38°C which can be overridden

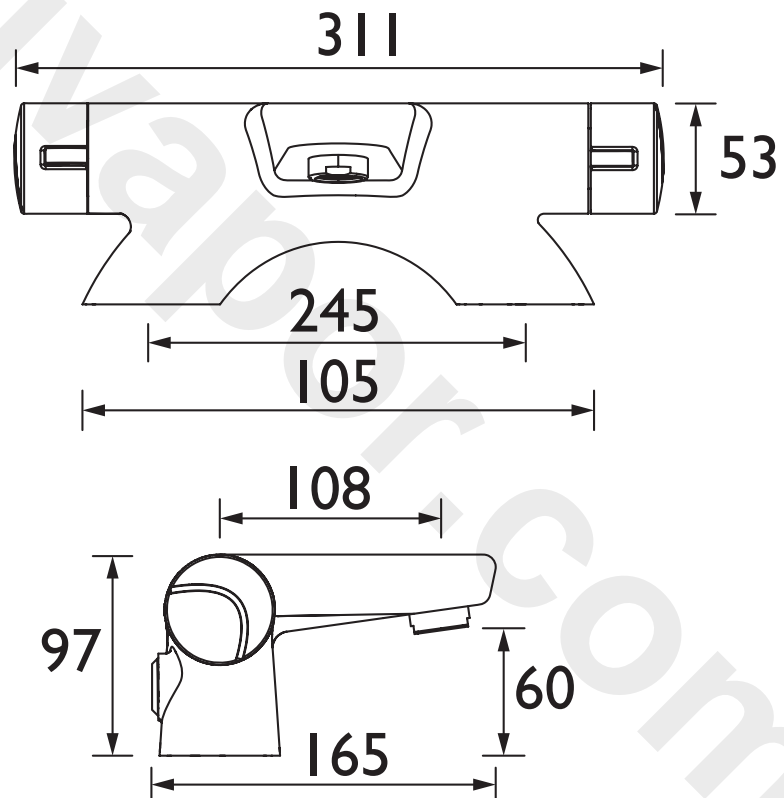
### Product Certifications:



For more products, visit our website:  
<http://www.bristan.com>



### Dimensions (measurements in mm)



### Flow Rates (l/min)

System Pressure (bar)	0.2	0.5	1	2	3	5
OP THBF DML C	9.8	14	21	30	38	49

TECHNICAL  
DATA  
SHEET



**BRISTAN**

D5