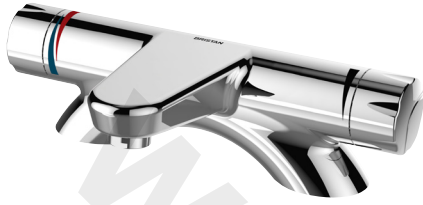


OP THBF DMH C

OPAC Tap Range Opac Thermostatic Deck Mount Dual Control Bath Filler with Chrome Handles



Features:

- Cool touch body for ultimate user safety
- Integral isolator and easy clean filters
- Automatic thermostatic shutoff in the event of hot or cold water failure
- Pre-set maximum temperature at 38°C which can be overridden

Product Certifications:



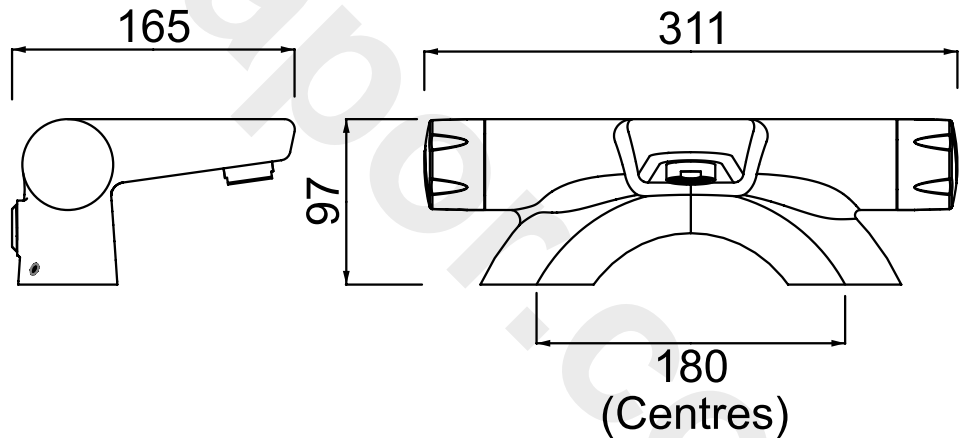
For more products, visit our website:
<http://www.bristan.com>



Specification

Product Type:	Bath filler
Main Construction Material:	Brass
Mount Type:	Deck
Handle Type:	Round
Connection Inlet:	¾" BSP
Connection Outlet:	½" BSP
Number of Tap Holes:	2
Valve/Cartridge Type:	Thermostatic
Plumbing System Requirements:	All, Preferably Balanced
Working Pressure Range:	Min. 0.5, Max. 5.0
Maximum Hot Water Temperature: °C	80
Maximum Static Pressure: (bar)	10
Flow Type:	Single
Isolation Included:	No

Dimensions (measurements in mm)



Flow Rates (l/min)

System Pressure (bar)	0.2	0.5	1	2	3	5
OP THBF DMH C	9.8	14	21	30	38	49

TECHNICAL
DATA
SHEET



BRISTAN
TAPS & SHOWERS

D5