

# SPECIFICATION SHEET

**COLLECTION:** OMIKA

**PRODUCT CODE:** OMI-145A-C/P



## DESCRIPTION:

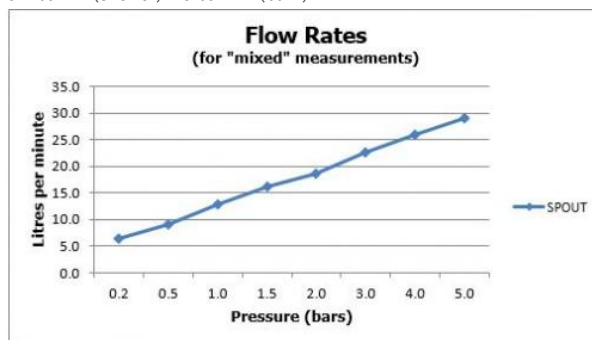
Omika  
concealed 1 outlet shower valve  
single lever  
wall mounted  
with rectangular backplate  
ceramic cartridge CAR-K35A  
2 x 1/2" female inlets  
2 x 1/2" female outlets (one is blanked off)  
min-max wall mount 40-65mm  
minimum operating pressure  
0.2 bar LP (shower) 1.5 bar MP (bath)

## FINISH:

Chrome

## MINIMUM OPERATING PRESSURE:

0.2 bar LP (shower) 1.5 bar MP (bath)



15  
year guarantee

tel: 01934 744466  
email: sales@vado.com  
www.vado.com

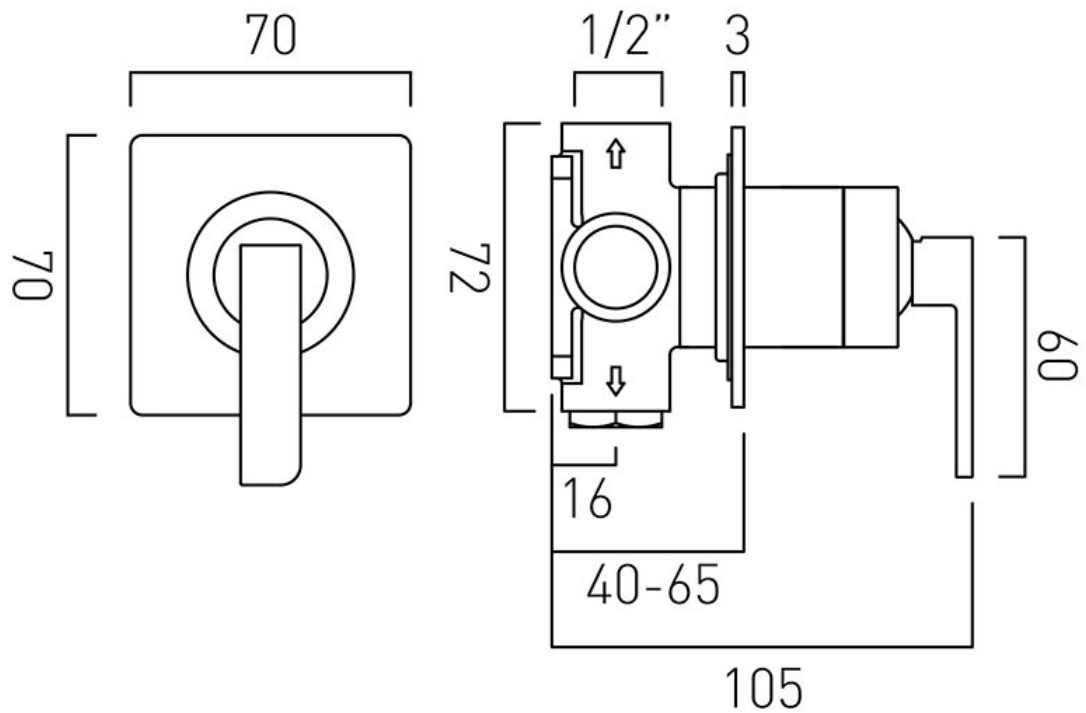
**where inspiration flows**  
taps | showering | accessories



# TECHNICAL DRAWING

**COLLECTION:** OMIKA

**PRODUCT CODE:** OMI-145A-C/P



tel: 01934 744466  
email: sales@vado.com  
www.vado.com

**where inspiration flows**  
taps | showering | accessories

