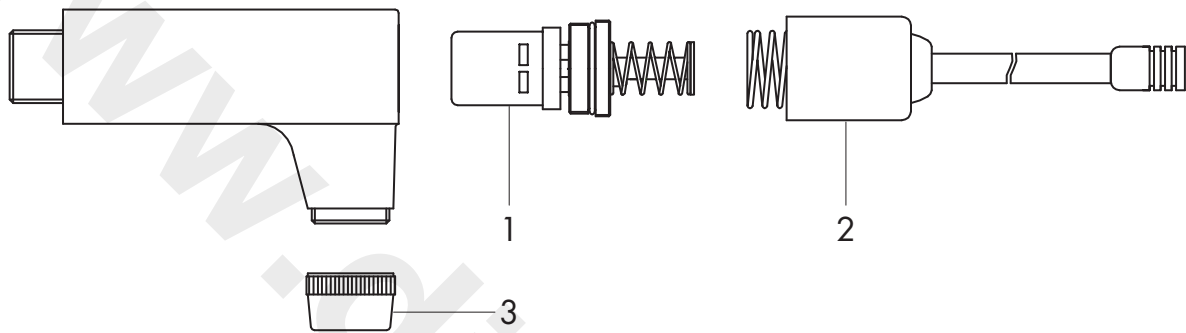


NC190CP Wall Mounted Multi Directional Non Concussive Tap



Item	Part No	Description
1	ID - 0019	Cartridge - 15 sec. @ 1 bar
2	ID - 0020	Lever - complete
3	ID - 0018	Anti-splash nozzle female - M22x1