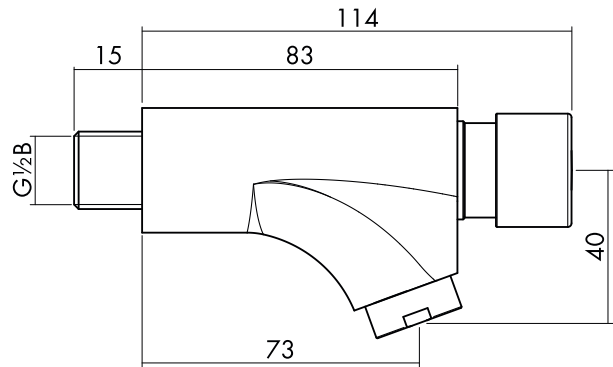


NC170CP Wall Mounted Non Concussive Tap

Dimensions



Operating Conditions

Max. Operating Pressure	10 bar
Min. Operating Pressure	0.5 bar (dynamic)
Max. Inlet Temperature	65°C
Timed Flow @ 1 bar	15 ± 5 seconds
Max plate thickness	3mm

Water Supply (Water Fittings) Regulations 2018

Your Inta taps must be connected in accordance with the Water Byelaws.

To prevent back flow and contamination of the water supply for drinking and culinary purposes taps must provide a **AUK2** or **AUK3** air gap between the outlet and basin.

To provide both a type **AUK2** tap gap, for domestic usage, and a **AUK3** for non domestic locations the taps must be installed with a minimum distance from the centre of inlet to the top of the basin of 102 mm.

In order to prevent scalding, the hot water tap should be connected to the hot water supply via a thermostatic mixing valve.

It is recommended that a service valve should be installed in the cold water supply pipe and the thermostatic mixing valve in the hot supply should have connections containing an isolating valve, in order to isolate the tap should servicing be required in the future.

Installation

Wall mounted taps should be mounted on decorative facing plates approximately 1.5 to 3mm thick or onto a decorative prefabricated panel unit.

The tap for the hot water should be fitted on the left side when facing the basin and the cold on the right.

Ensure that the outlet of the taps will be over the basin.

Fitting

The taps require a hole 22mm in diameter for a close fit or 24mm when more clearance is required.

If the taps are to be mounted via a facing plate a hole of sufficient size need to be made in the wall to allow the backnuts and swivel nuts to be tightened.

Secure the facing plate(s) (not provided) to the wall by a method that holds the plate and tap secure.

Insert the threaded inlet through the hole in the facing plate or prefabricated panel unit and secure in position with a thin metal back nut (not provided).

Use a swivel connector with a fibre washer (tap connector) to connect the water supply and make a water tight joint.

Alternatively the tap can be fitted to the facing plate before it is secured to the wall.

Repeat the operation for the second tap.

Operation

Using your hand press the button and release to start water flow.

Aftercare

Inta taps have a high quality finish and should be treated with care.

An occasional wipe with a mild washing-up liquid on a soft damp cloth followed by a thorough rinsing is all that is required.

Do not use an abrasive or chemical household cleaner as this may cause damage.

Warranty

To Register your product's 12 month Guarantee please visit www.intatec.co.uk and click on product registration.