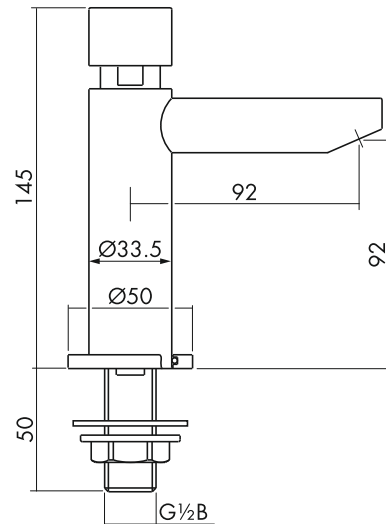


## NC112SS Non Concussive Basin Mounted Push Taps



### Operating Conditions

Max. Operating Pressure:	6 bar
Min. Operating Pressure:	1 bar
Max. Inlet Temperature:	65°C
Timed Flow:	15 @ 3 bar
BS EN 816 Tolerance:	±5 sec

### The Water Supply (Water Fittings) Regulations 1999

Your Inta taps must be connected in accordance with the Water Byelaws.

To prevent back flow and contamination of the water supply for drinking and culinary purposes the taps must provide a AUK2 or AUK3 air gap between the outlet and basin.

Inta basin taps provide a type **AUK2** air gap, for domestic use or a type **AUK3** air gap for non domestic use in hospitals and other medical premises.

**In order to prevent scalding, the hot water tap should be connected to the hot water supply via a thermostatic mixing valve.**

It is recommended that a service valve is installed in the cold water supply pipe and a thermostatic mixing valve having connections containing an isolating valve, in order to isolate the tap should servicing be required in the future.

### Installation

The easiest way to install taps to the basin is to do so before the basin is installed when access to the backnuts is readily available.

The tap for the hot water should be fitted on the left side when facing the basin and the cold on the right.

If replacing existing taps ensure the water supply is turned off and that the old taps are completely removed.

### Fitting to Basin

Inserting the threaded section through the hole in the basin.

Fit the rubber washer and backnut onto the threaded inlet and tighten to secure the tap. Do not over tighten the backnut.

Use a swivel connector with a fibre washer (tap connector) to connect the water supply and make a water tight joint.

Push the concealing plate to the surface of the basin.

Check the coloured indice on the push cap and ensure it corresponds with the service, red for hot or blue for cold and change as required.

**Note:** if replacing existing taps the threaded inlet may be shorter than the original taps.

Repeat the operation for the second tap.

Turn on the water supply to both taps and run water for a couple of minutes. Check all joints for leakage.

### Aftercare

Inta taps have a high quality finish and should be treated with care.

An occasional wipe with a mild washing-up liquid on a soft damp cloth followed by a thorough rinsing is all that is required.

**Do not use an abrasive or chemical household cleaner as this may cause damage.**

**Intatec Limited, Airfield Industrial Estate, Hixon, Staffs, ST18 0PF**

Tel: **01889 272 180** Fax: **01889 272 181** email: **sales@intatec.co.uk** **www.intatec.co.uk**