

MINI2 TS1203 CH C COMMERCIAL Shower Range

MINI TS1203 Concealed Shower Valve with Handwheel Chrome



Specification

Finish/Colour:	Chrome
Main Construction Material:	Brass
No of Controls:	1
Shower Type:	Concealed
Shower Head Type:	Valve Only
Valve/Cartridge Type:	Thermostatic Cartridge
Maximum Hot Water Supply Temperature	65
Maximum Static Pressure: (bar)	10
Plumbing System Suitability:	All, Preferably Balanced
Working Pressure Range:	Min 0.1 bar, Max 5.0 bar
Connection Inlet:	15mm Compression
Connection Outlet:	1/2" BSP
Isolation Valve Included:	No
Check Valve Included:	Yes

Features:

- Single sequential control for both temperature and flow
- Concealed shower with easy-access cover plate for servicing
- Integral isolator and easy clean filters
- High performance even at low pressures
- Inlet centres of 99mm +/- 1mm

Product Certifications:



WRAS Certificate No: 1904904
WRAS Expiry Date: 30/04/2024



TMV2 Cert. Number: NSF2126/0619
TMV2 Expiry Date: 13/06/2024

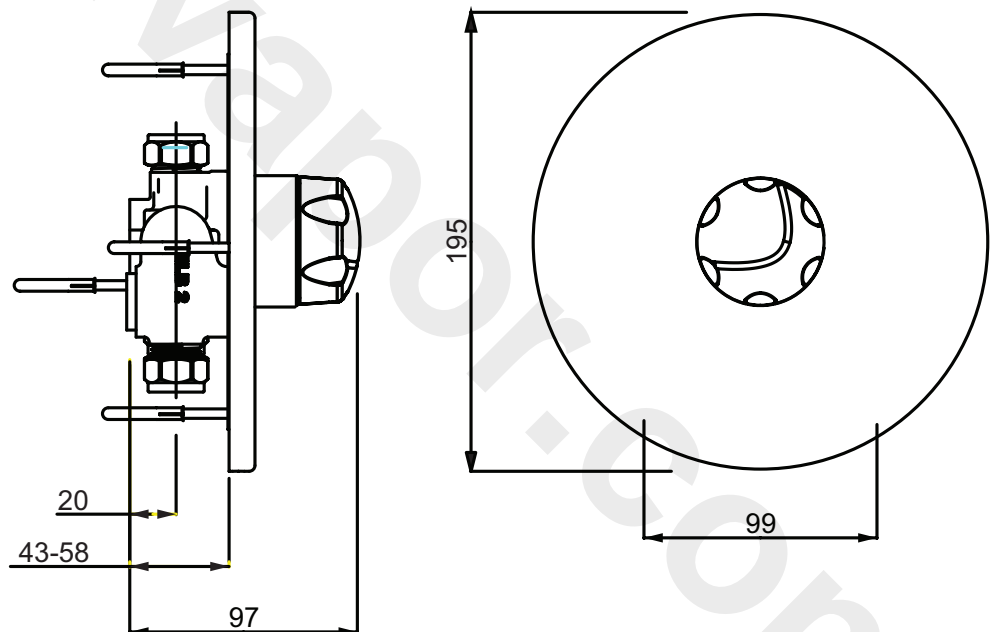


TMV3 Cert. Number: NSF2125/0619
TMV3 Expiry Date: 13/06/2024

For more products, visit our website:
<http://www.bristan.com>



Dimensions (measurements in mm)



Flow Rates (l/min)

System Pressure (bar)	0.2	0.5	1	2	3	5
With Fitted Flow Limiter	11	20	7.8	8.8	9.1	9.3

TECHNICAL DATA SHEET



BRISTAN

D5