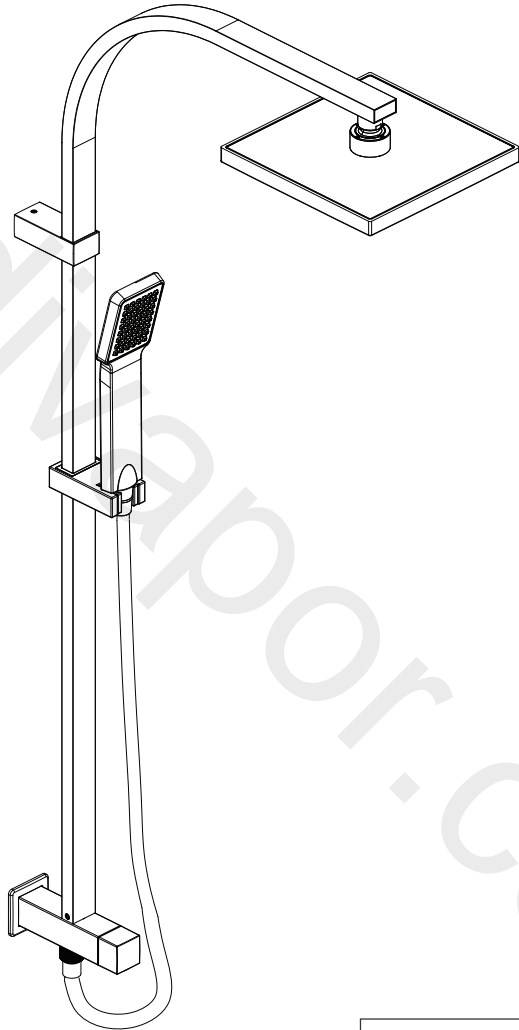


MB525SQ

Diverter with Fixed Head and Hand Shower



ADORA

INSTRUCTION

Thank you for purchasing a quality Adora product. To enjoy the full potential of your new product, please take time to read this guide thoroughly, having done so, keep it handy for future reference.

General

The Adora Planet Shower Diverter Set is a shower control designed for wall mount installations.

The shower diverter set controls water flow direction via a handle.

The Adora shower diverter set is supplied with a deluge head, rigid riser, single-mode handset and shower fittings kit.

Pressures

- Max Static Pressure: **10 Bar**
- Max Maintained Pressure: **5 Bar**

NOTE:

Hot and cold supply pressures should be balanced.

For supply pressures over 5bar, pressure reducers(not supplied) Must be fitted.

INSTRUCTION

Safety Warning

The function of a diverter is to switch the direction of water flow. In keeping with every other mechanism, it can't be considered as functionally infallible and as such, can't totally replace a supervisor's vigilance where that is necessary.

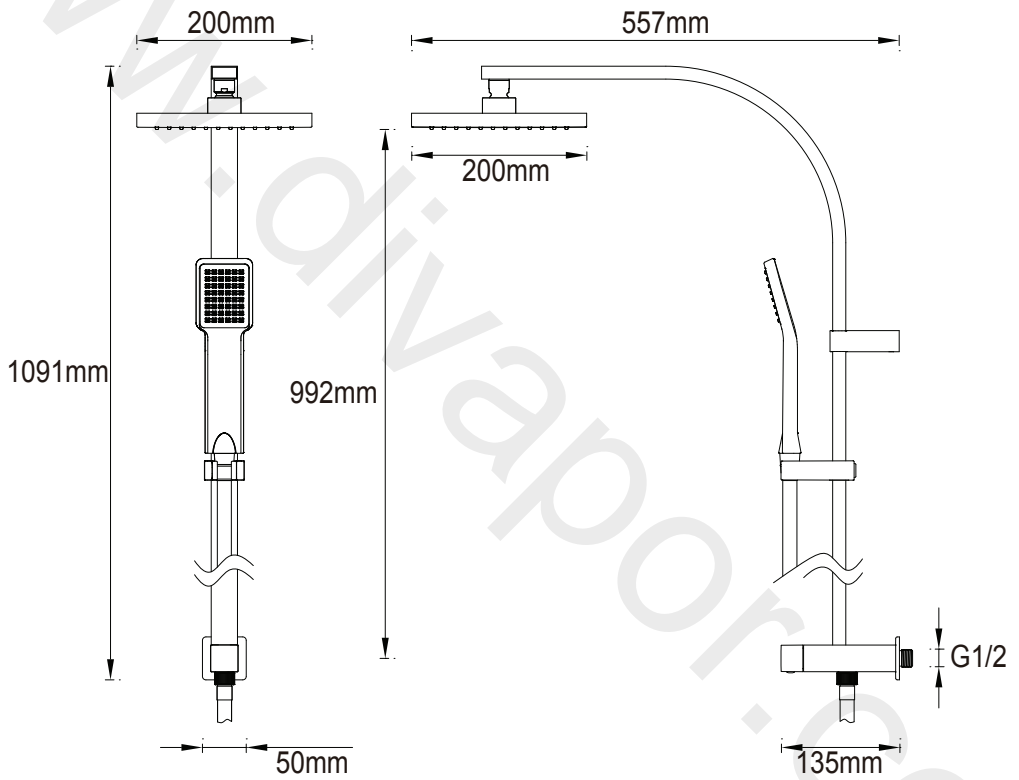
Adora diverters are precision engineered and should give continued safe and controlled performance, provided:

1. They are installed, commissioned, operated and maintained in accordance with the manufacturer's recommendations.
2. Periodic attention is given, when necessary, to maintain the product in good functional order.

Caution!

1. Read all of these instructions.
2. Retain this guide for later use.
3. Pass on this guide in the event of change of ownership of the installation site.
4. Follow all warnings, cautions and instructions contained in this guide.
5. Anyone who may have difficulty understanding or operating the controls of any shower should be attended whilst showering. Particular consideration should be given to the young, the elderly, the infirm or anyone inexperienced in the correct operation of the controls.
6. When this product has reached the end of its serviceable life, it should be disposed of in a safe manner, in accordance with current local authority recycling, or waste disposal policy.

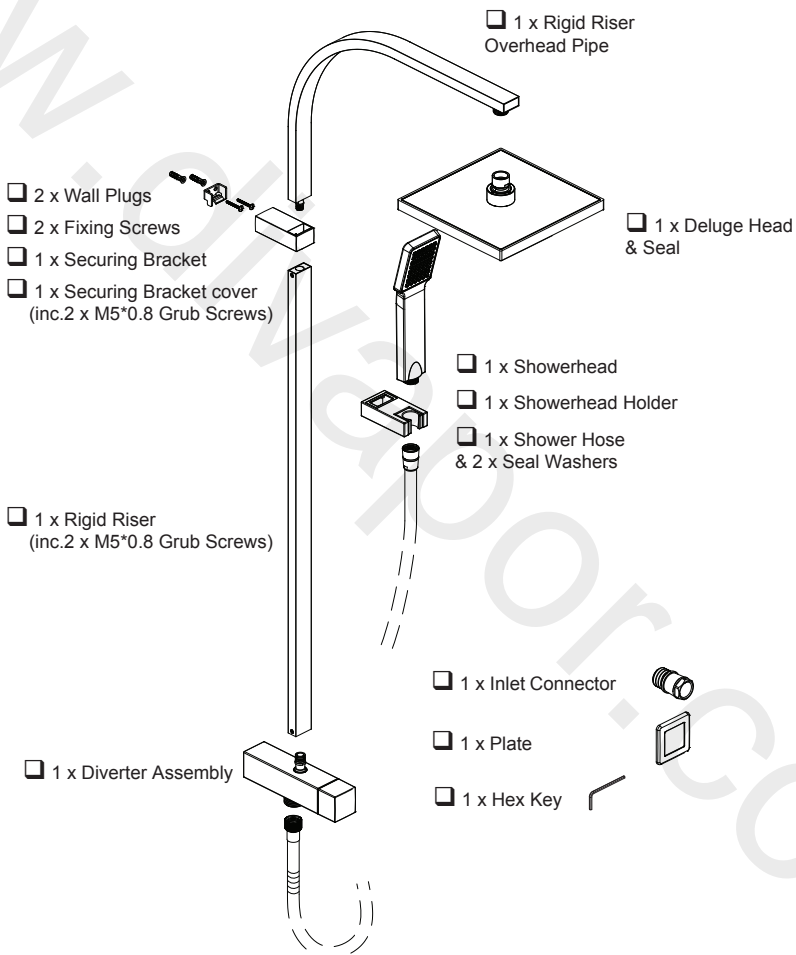
DIMENSIONS



NOTE: ALL DIMENSIONS IN MILLIMETRES

PACK CONTENTS

Tick the appropriate boxes to familiarise yourself with the part names and to confirm that all of the parts are included.



INSTALLATION

General

Installation must be carried out in accordance with these instructions, and must be conducted by designated, qualified and competent personnel. The installation must comply with the "Water Supply Regulation 1999(Water Fittings)" or any particular regulations and practices, specified by local water company or water undertakers.

Note! Make all site requirements correspond to the information given in specification section below:

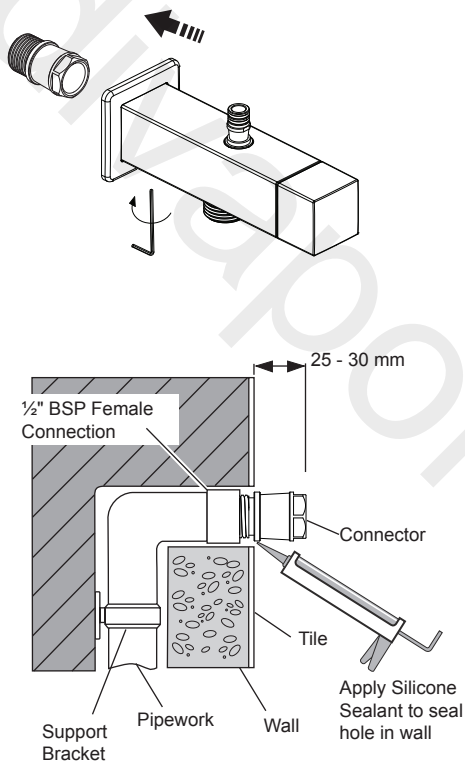
1. The diverter must not be installed in an area where it may freeze.
2. For stud partitions, alternative fixings may be required.
3. Isolation valves must be installed close to the mixer for ease of maintenance.
4. Pipeworks must be rigidly supported and avoid any strain on the connections.
5. Pipework dead-legs should be kept to a minimum.
6. All pipework must be checked for leaks before the product installation is completed. The product should be pressurised & the inlet & outlet connections inspected.
7. **Do not** overtighten the grub screws as this could cause damage to the product. Use hexagonal key provided and hand tighten only. Do not use power tools.

INSTALLATION

Diverter Installation

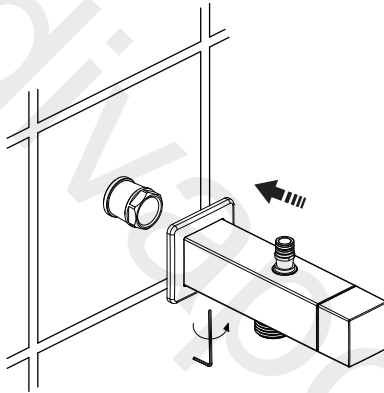
For the solid wall installation, the wall union can be supported by the pipework provided that it is securely fixed to the wall. For other wall types, some support fittings(not supplied) should be used to help installation.

1. Firstly, take down the connector by screwing the screw under the diverter body
2. Apply suitable thread sealant (not supplied) and attach the connector to the pipework in the wall. The connector must protrude between 25-30mm from the finished wall.



INSTALLATION

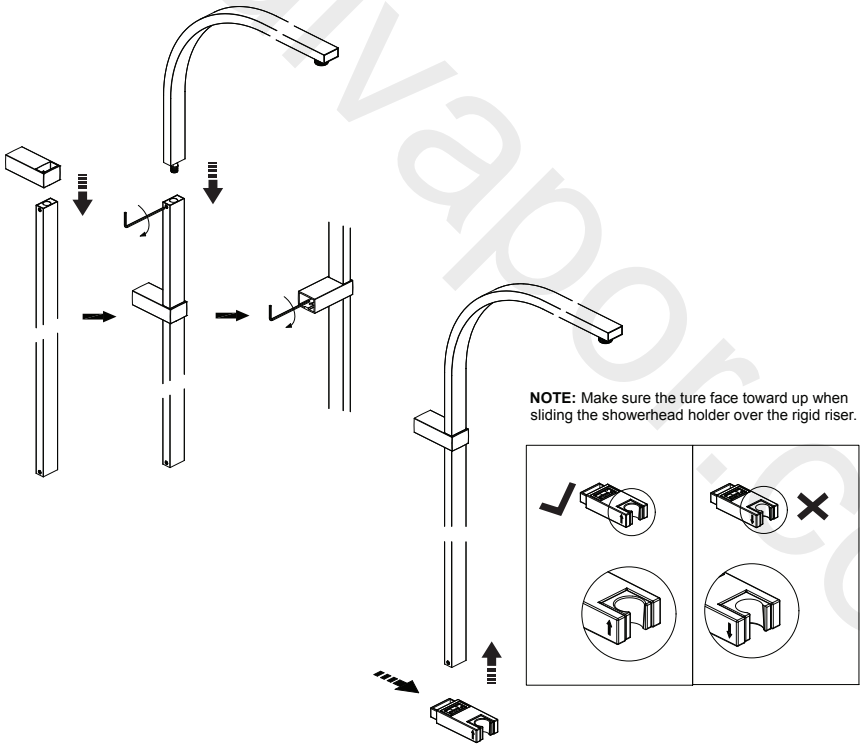
3. Tighten the connector using a suitable spanner .
4. Place the plate onto the diverter body slightly ,then locate them onto connector until they come into the wall thoroughly.Place the plate against the wall and tighten the screw by hex key.
5. **Caution!** Make sure that the supply pipework is flushed before installed the diverter.
6. Install the rigid riser assembly, go to section '**Rigid Riser Assembly Installation**'.



INSTALLATION

Rigid Riser Assembly Installation

1. Slide the securing bracket cover over the rigid riser. Holding the securing bracket cover, insert the rigid riser overhead pipe into rigid riser and then tighten the grub screw. Slide the securing bracket cover to a suitable position and then secure it by tightening the grub screw.
2. Pressing the button, slide the showerhead holder over the rigid riser. In suitable position, release the sleeve to secure the holder.



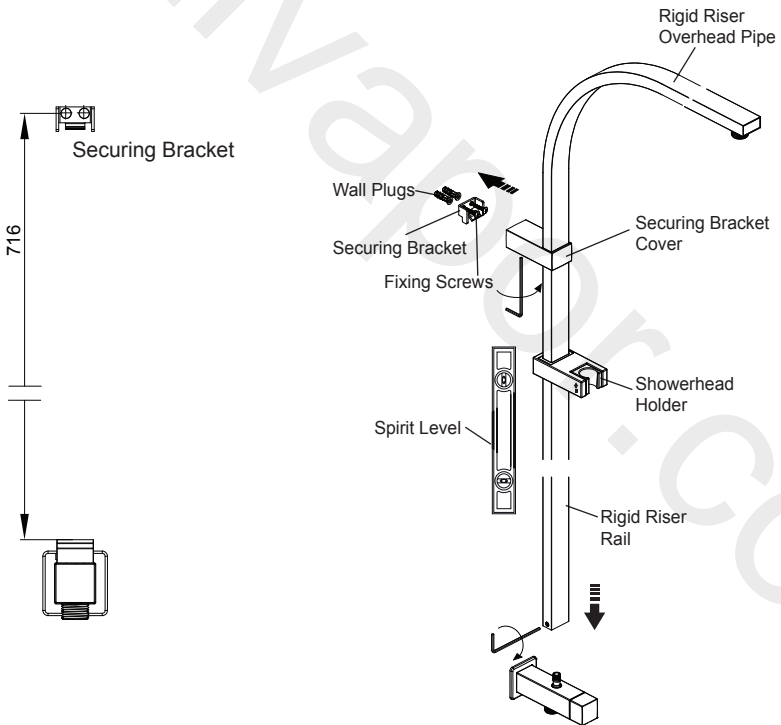
INSTALLATION

3. Locate the rigid riser rail into the diverter outlet and the securing bracket cover into the securing bracket, make sure that they are pushed fully home. Then screw the grub screws to secure.

Important! Using a spirit level make sure that the rigid riser rail is vertical and mark the position of the fixing holes for the securing bracket on the wall.

Caution! Do not cut the rigid riser rail.

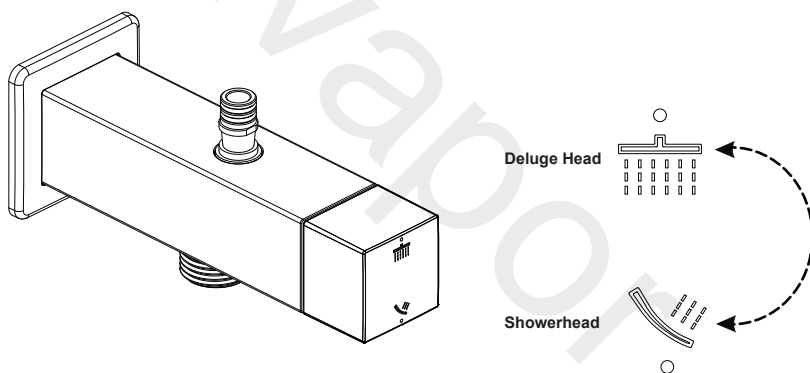
4. For solid walls drill the fixing holes for the securing bracket with a 6 mm drill and insert the supplied wall plugs. For other types of wall structure alternative fixings may be required (not supplied).
5. Secure the securing bracket to the wall using the supplied fixing screws.



OPERATION

Adjusting the Flow rate/Flow direction

Flow direction is controlled by rotating the flow handle.



FILTERS

The sealing washers / filters are located in the inlet connector. Clean or renew as necessary.

LUBRICANTS

Silicone based lubricants must only be used on the rubber seals.

Caution! Oil based or other lubricant types may cause rapid deterioration of seals.

CLEANING

The chrome plated parts should be cleaned using a mild washing up detergent or soap solution, rinsed and then wiped dry with a soft cloth.

Warning! Many household cleaners contain abrasive and chemical substances, and should not be used for cleaning plated or plastic fittings.

Do not use descalents on this product.

FAULT DIAGNOSIS

Symptom:

- *Fluctuating or reduced flow rate.*

Cause / Rectification:

- *Check the showerhead, hose and filters for any blockage.*
 - *Make sure that the maintained inlet pressures are nominally balanced and sufficient, refer to section: 'Specifications'.*
 - *Make sure that the inlet temperature differentials are sufficient, refer to section: 'Specifications'.*
 - *Flow regulator fitted incorrectly.*
 - *Air lock or partial blockage in the pipework.*
-

Symptom:

- *Water leaking from showerhead.*

Cause / Rectification:

- *Normal for a short period after shut off.*
- *Check that the pressures are not in excess of the specifications for the product.*
- *Diverter inlet seals damaged, renew.*
- *Renew the diverter.*

This product should only be fitted by a qualified plumber to NVQ (National Vocational Qualification) or SNVQ (Scottish National Vocational Qualification) Level 3. Should the installation be completed by a non-qualified person then the guarantee may be considered invalid.

For a claim made under our warranty written certification of your installers credentials can be required. For further information or to find a qualified installer in your area please visit the Institute of Plumbers website - www.iphe.org.uk

THE QUALIFICATIONS

At present, to be a plumber you need to follow the National Vocational Qualification (NVQ) route (Scottish National Vocational Qualification - SNVQ - in Scotland). These qualifications are made up of theory and practical work in the classroom/purpose built training facility and work based experience with a working plumber. Colleges should help students find a work placement, although many students organise it themselves.

The S/NVQ qualification works in levels. All recently qualified plumbers should hold S/NVQ Level 2 as basic with Level 3 as the preferred level. Level 2 will give you the foundation you need for a career in plumbing and teach you domestic plumbing to a satisfactory level. Level 3 is more comprehensive and deals with domestic, commercial and industrial plumbing along with aspects such as gas - if you want to one day set up your own business, this is the level to reach. The Institute of Plumbing and Heating Engineering, and the industry as a whole recommends that all plumbers reach a minimum of Level 3.

Reaching Level 3 has other advantages. The Institute runs a Master Plumber Certificate, which only those attaining Level 3 or equivalent can reach as long as they have the relevant experience as well. Those with S/NVQ Level 3 can (once in membership with the Institute for five years as a Member MIPHE) gain Engineering Technician EngTech status with the Engineering Council (UK).

For any further information please email technical@adora-bathrooms.co.uk

Or visit our web-site at www.adora-bathrooms.co.uk

The manufacturer reserves the right to make technical modifications without prior notice.