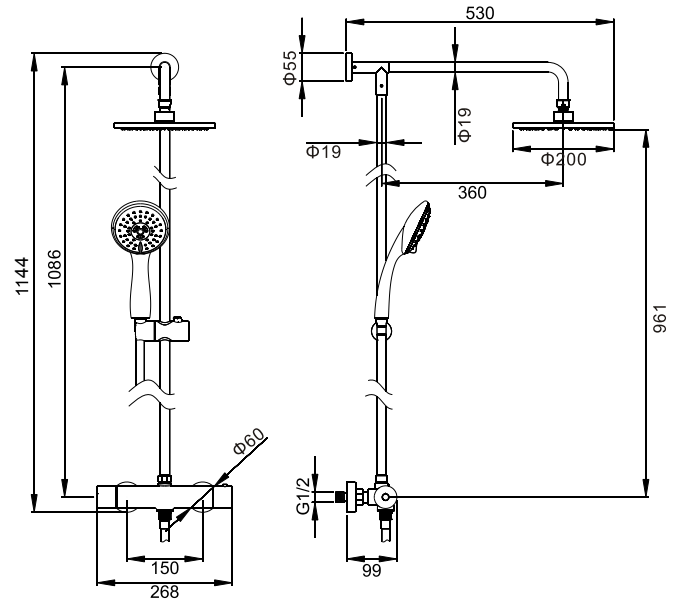
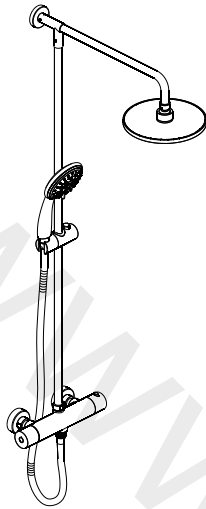


# Specification Sheet

## Thermostatic Shower Mixer

ADORA



## Product Specification

<b>Product Code:</b>	MB500RM
<b>Finish:</b>	Chrome plated
<b>Construction:</b>	Bodies of tap are solid brass castings and the handles are zinc cast
<b>Valve Type:</b>	Thermostatic cartridge
<b>Supply:</b>	Suitable for all plumbing systems
<b>Inlet Connection:</b>	G1/2" male tail
<b>Water Pressure:</b>	Range from a minimum pressure of 0.2bar to a maximum pressure of 5bar
<b>Net Weight:</b>	3.7Kg

**Technical Advice:** For further information, please email [technical@adora-bathrooms.co.uk](mailto:technical@adora-bathrooms.co.uk) or visit [www.adora-bathrooms.co.uk](http://www.adora-bathrooms.co.uk)

**Guarantee:** The product carries a 5 year guarantee, **excluding** the ceramic (head/ cartridge) which is covered by a 12 month guarantee

## Flow Rates(litres per minute)

System pressure	0.1bar	0.2bar	0.3bar	0.4bar	0.5bar	1bar	2bar	3bar	4bar
MB500RM (Deluge head)	3.8	5.7	7.3	8.3	9.4	12	17.8	22	25.4
(Showerhead)	2.2	3.3	4.2	4.7	5.4	7.8	10.5	13.2	15.2

We reserve the right to make technical modifications without prior notice