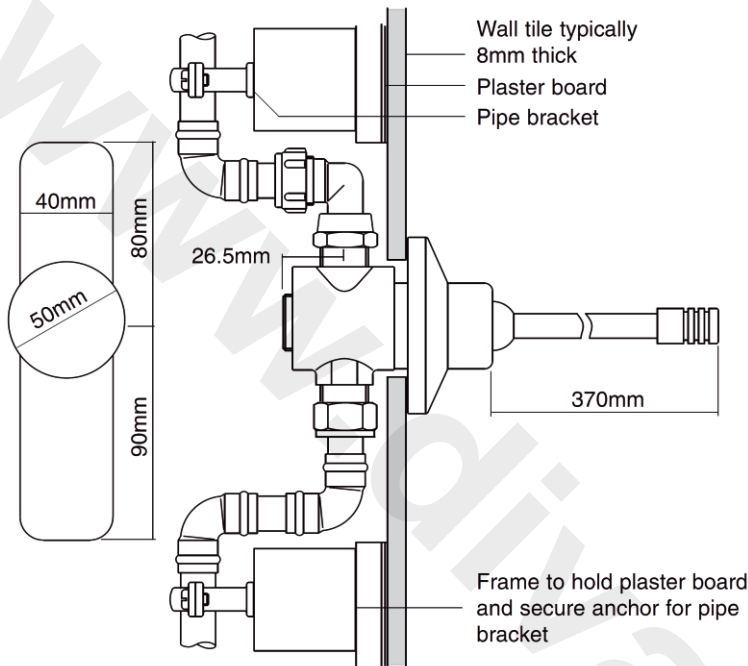


LO820CP Multi Directional Timed Flow Controller For Concealed Pipes

For use with VR991CP shower head and other water outlets



Operating Conditions

Max. Inlet Pressure	5 bar
Min. Inlet Pressure	0.2 bar
Max. Inlet Temperature	65°C
Flow Time	15 sec at 3 bar

Planning

The method of concealing and the structural requirements should be carefully planned before installation commences. It is recommended that access should be available to the connections of the controller and shower head, e.g. airing cupboard or plant room.

The controller can be housed in a wall cavity but consideration should be given to damage, to wall tiles, should access be required to the joints.

The installation shown is just one example and the dimensions given are to help in the planning.

Dimensions

The body of the controller requires a minimum diameter hole of 50mm in the wall tiles.

The plaster board needs a hole 40mm wide and depending upon the method used 180mm long (90mm x 2).

Support

The pipe brackets must be of a type that hold the pipe secure as these provide the support for the controller.

The brackets should be positioned as close to the controller as possible - as shown. Additional brackets should also be fitted towards the shower head or outlet and on the supply pipe.

Installation Instructions

Flush the supply pipe before fitting the controller as debris will prevent it from working correctly.

The flow controller can be used for a variety of applications, to deliver hot or mixed water, where the user can be seated or standing. The controller should be positioned at a height and position to suit the application and user.

Check the flow direction arrow to ensure that the flow will be vertically upwards to the shower head.

Concealing Plate

Apply silicone to seal the controller to the wall tiles and to the outer diameter on the back of the concealing plate before pushing onto the controller.

A service ball valve must be installed in the supply pipework or the controller must be supplied via a thermostatic mixing valve, which has supply connections containing an isolating valve, to enable the controller and shower head to be isolated for cleaning or servicing.

Operation

Move the lever sideways using hand, forearm, elbow or knee in any direction to operate the controller then release to start the timed flow.

Aftercare

Inta controllers have a high quality finish and should be treated with care. An occasional wipe with a mild washing-up liquid on a soft damp cloth followed by a thorough rinsing is all that is required.

Do not use an abrasive or chemical household cleaner as this may cause damage.

Inta controllers are manufactured to the highest standards and require little maintenance. The sealing washer should last for many years and is readily available.

Intatec Limited, Airfield Industrial Estate, Hixon, Stafford, ST18 0PF

Tel: 01889 272180 Fax: 01889272181 Email: sales@intatec.co.uk