

Foot operated floor mounted pedal mixing tap

Introduction

The Inta range of foot operated valves allows the user to deliver hot, cold or mixed temperature water in a controlled and hygienic way. The valves are simple to install, easy to use, vandal resistant and durable making them ideal for wide range of applications

delivers water in a controlled and hygienic way

- Individual pedal control of hot and cold water
- Hygienic
- Robust construction
- Durable
- Easy to install

Product Range

Description	Code
Foot operated floor mounted mixing valve with stop for continuous flow	LO803CP



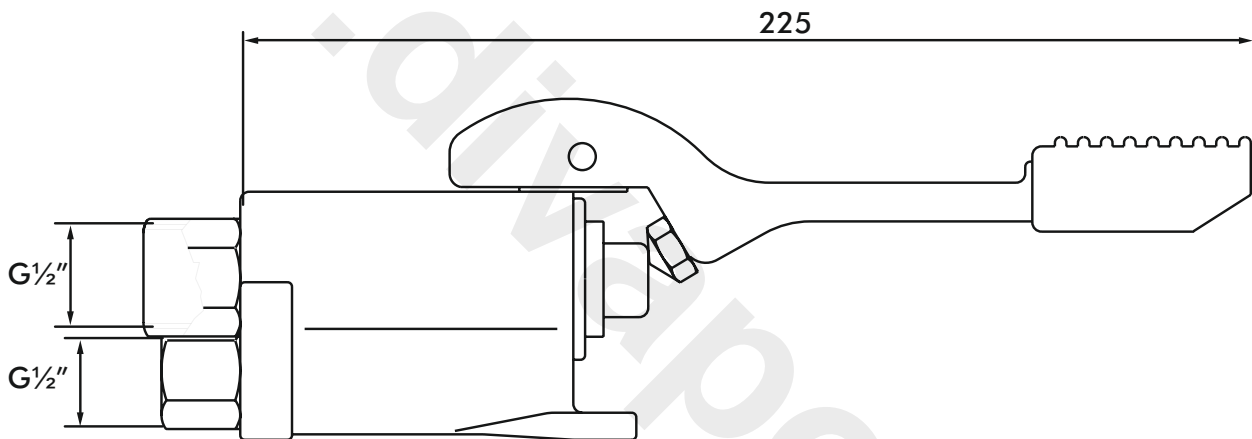
LO803CP

Foot operated floor mounted pedal mixing tap

Features

Technical Specification

Max inlet pressure	8 bar
Min inlet pressure	0.5 bar
Inlet temperature range	5-70°C
Inlet connections	G1/2" (x2)
Outlet connections	G1/2"



inspiring confidence

inta