

## Foot operated floor mounted mixing pedal tap

### Introduction

The Inta range of foot operated pedal taps allows the user to deliver hot, cold or mixed temperature water in a controlled and hygienic way. The valves are simple to install, easy to use, vandal resistant and durable making them ideal for wide range of applications

delivers water in a controlled and hygienic way

- Stop pedal for continuous flow
- Pedal operated progressive mixer
- Hygienic
- Robust construction
- Durable
- Easy to install

### Product Range

Description	Code
Foot operated floor mounted mixing pedal tap with stop pedal for continuous flow	LO801CP



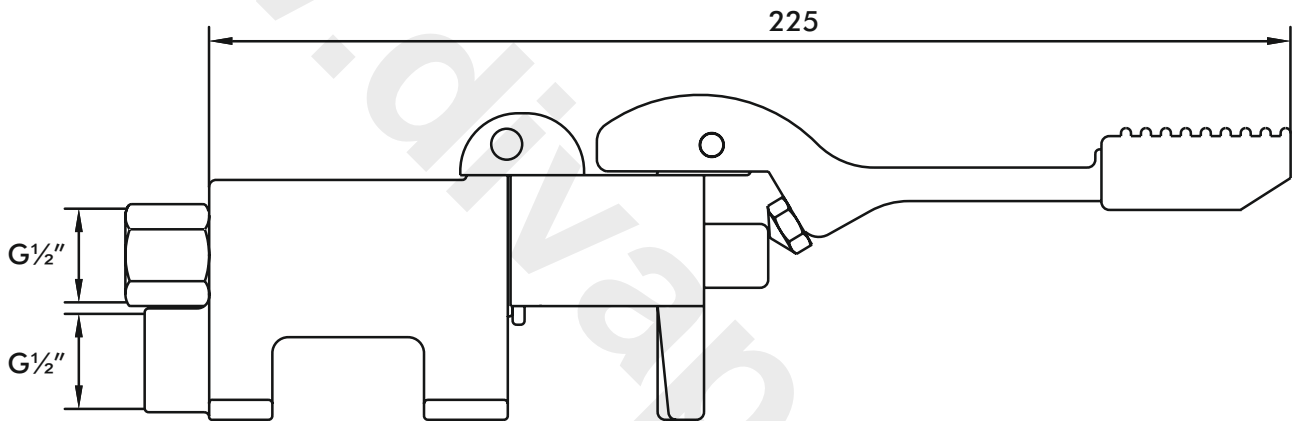
LO801CP

## Foot operated floor mounted mixing pedal tap

### Features

#### Technical Specification

Max inlet pressure	8 bar
Min inlet pressure	0.5 bar
Inlet temperature range	5-70°C
Inlet connections	G1/2" (x2)
Outlet connections	G1/2"



 inspiring confidence

inta