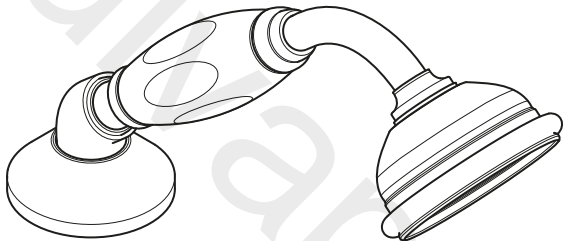


2147

# DECK MOUNTED HAND SHOWER

INSTALLATION GUIDE

---



---

LEFROY BROOKS



## IMPORTANT INFORMATION

### Professional installation

We recommend that our products are fitted by a fully qualified professional plumber. They should be installed correctly and in accordance with all local water regulations and the system protected by non-return valves (not supplied). All products should be accessible for routine servicing.

### Suits all systems

This Lefroy Brooks product is potentially suitable for every possible application, type of boiler and water supply pressure. However, if your supply pressure is below 1 bar it is advisable to fit a water pump. For systems with combination boilers, it is not advisable to fit pumps (refer to boiler manufacturer).

### Supply connections

The shower hose connection is G½.

### Flushing system

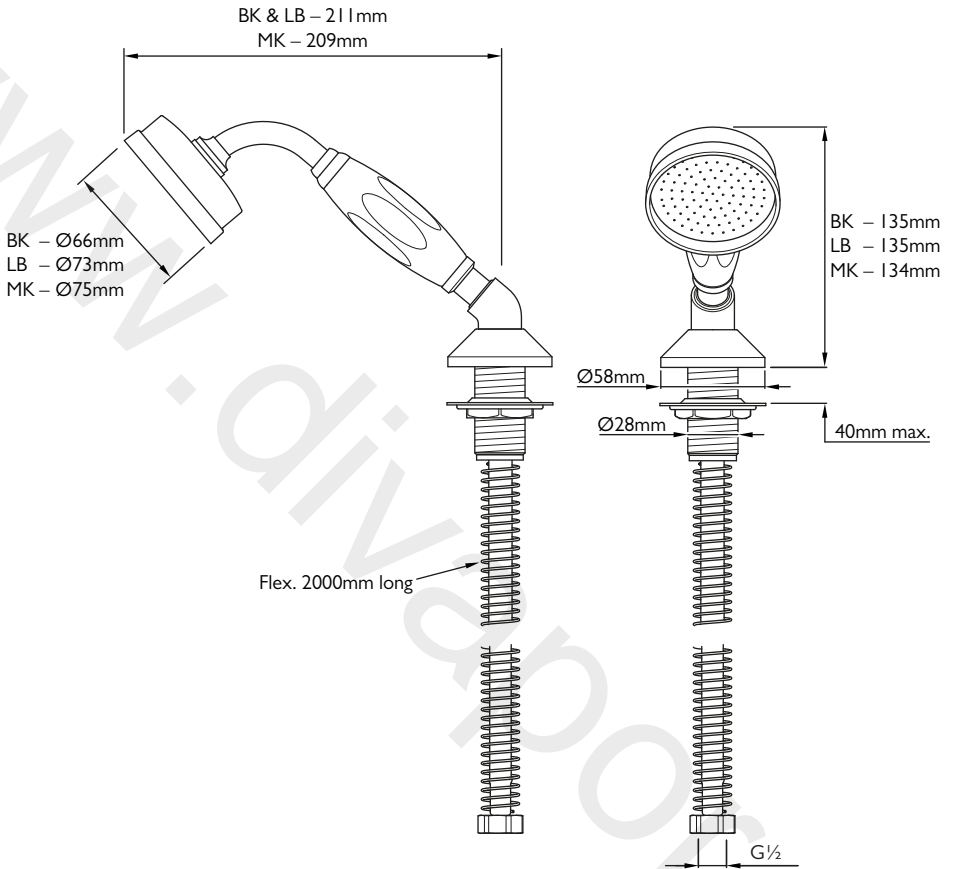
It is most important to flush out all pipework thoroughly before connecting the product. This is the single most common cause of poor flow.

### Servicing

Suitable access should be available to aid any future maintenance/servicing. All serviceable parts are available to maintain your Lefroy Brooks product (contact retailer for details).

# DIMENSIONS

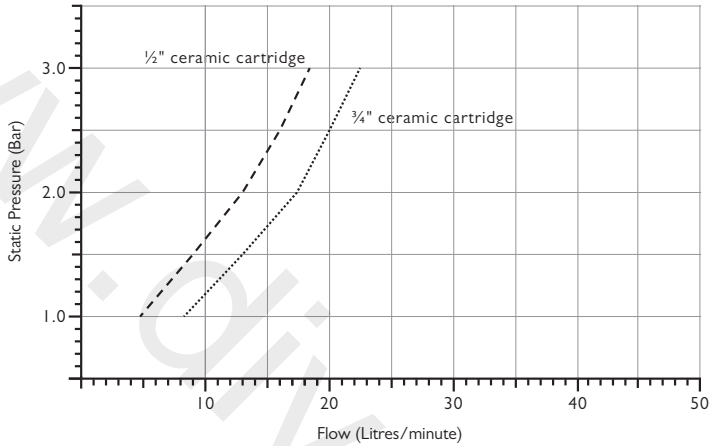
Shown with Mackintosh (MK) hand shower



Not to scale

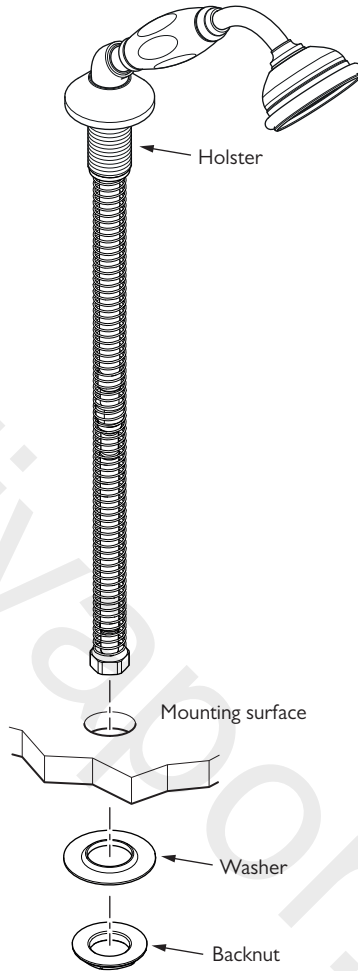
## TYPICAL FLOW RATES

The flow rate from the hand shower is usually governed by the flow valve or diverter that supplies water to it. The below flow rates were obtained with the hand shower connected to flow valves fitted with  $\frac{1}{2}$ " and  $\frac{3}{4}$ " ceramic cartridges. The flow rates are the same for all variants.



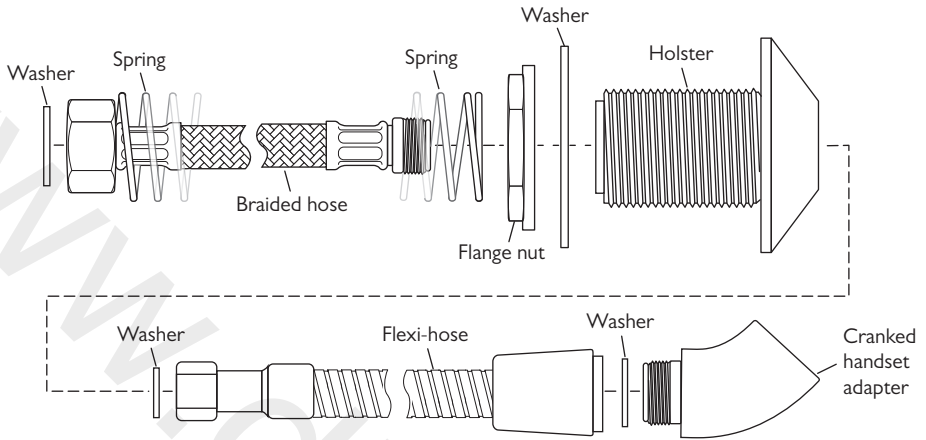
Note: The pressure shown was applied directly to the flow valve supplying the shower hose; flow rates indicated are free flowing and may vary subject to restrictions created by installation, pipework, layout or application.

## INSTALLATION



- 1 Unscrew and remove the backnut from the threaded tail of the holster.
- 2 Remove the washer from the threaded tail of the holster.
- 3 Locate the hose through the hole in the mounting surface and lower the hand shower assembly into place.
- 4 Ensure that the orientation of the shower assembly is as required.
- 5 Hold the washer so that the raised area faces the mounting surface. Slide the washer onto the hose.
- 6 Place the backnut over the hose and screw onto the threaded tail of the hand shower holster to secure.
- 7 Connect the hose to the water supply.
- 8 Check for leaks.

## SERVICING GUIDELINE FOR THE FLEXIBLE HOSE



---

## REPLACEMENT PARTS

- PSH040 – Flexible hand shower hose & elbow connector, including deck mounted holster (Post May 2012).
- PSH041 – Deck mounted hand shower holster (Post May 2012).
  
- PSH016 – Flexible hand shower hose & elbow connector, excluding deck mounted holster (Pre May 2012).
- PSH015 – Deck mounted hand shower holster (Pre May 2012).
  
- PSH043 – Replacement hose set without spring.
- PSH044 – Cranked hand shower adaptor.



CONTRACT ENQUIRIES

+44 (0)1992 708 316

[info@lestroybrooks.co.uk](mailto:info@lestroybrooks.co.uk)

CUSTOMER SERVICE, SPARES & TECHNICAL ENQUIRIES

+44 (0)1902 390 894

[technical@lestroybrooks.co.uk](mailto:technical@lestroybrooks.co.uk)

LEFROYBROOKS.CO.UK

---

Whilst every effort is made to ensure the accuracy of these, they are subject to change without notice as part of the company's product development process. The use of trademarks, product design and artwork is subject to licence or agreement with LBIP Ltd. The design registrations, trademark registrations and copyrights are protected by law and the use or reproduction outside the terms of an agreement is prohibited. The right to modify designs and dimensions is reserved. LBIP Ltd is a member of ACID (Anti Copying in Design). E&OE