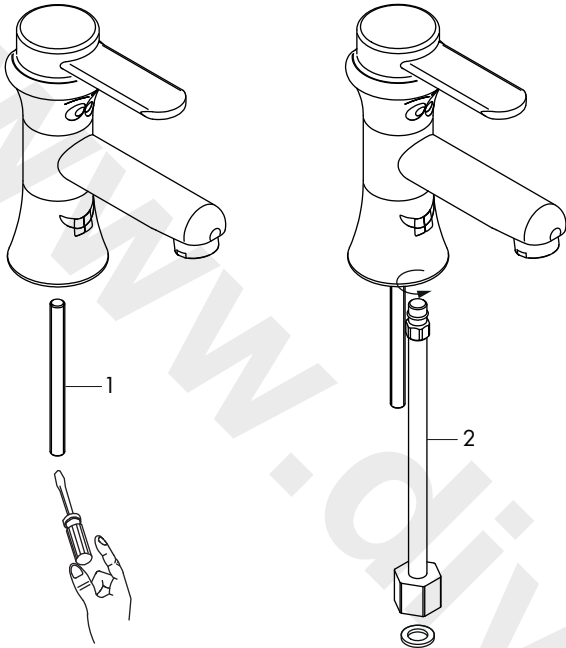


Kindergarten Basin Mixer Tap



Operating Conditions

Min Operating Press.	0.5 bar
Max Operating Press.	5.0 bar
Max Temperature	70°C
Max Thickness of basin	40 mm

Installation

The Kindergarten basin tap is intended for use where there is a high duty of care required, such as in nurseries, schools and care homes.

The tap should only be used on cold or mixed water applications in conjunction with a TMV3 thermostatic mixing valve such as the Intamix 40015CP.

Your basin mixer must be installed in accordance with the Water Byelaws.

In order to prevent scalding, the hot water supply should be connected to the tap via a TMV3 thermostatic mixing valve.

It is recommended that service valves are installed to the inlets in order to isolate the tap should servicing be required in the future.

All installations should be thoroughly flushed and cleaned to remove any debris that may affect the performance of the mixer.

This basin tap is designed for installing on one hole basins.

Screw the retaining screw (1) into the threaded hole in the base of the body taking care not to over tighten.

Connect the flexible hose (2) to the tap and tighten.

Ensure the sealing washer is seated correctly in the base (3) prior to fitting the tap to the basin.

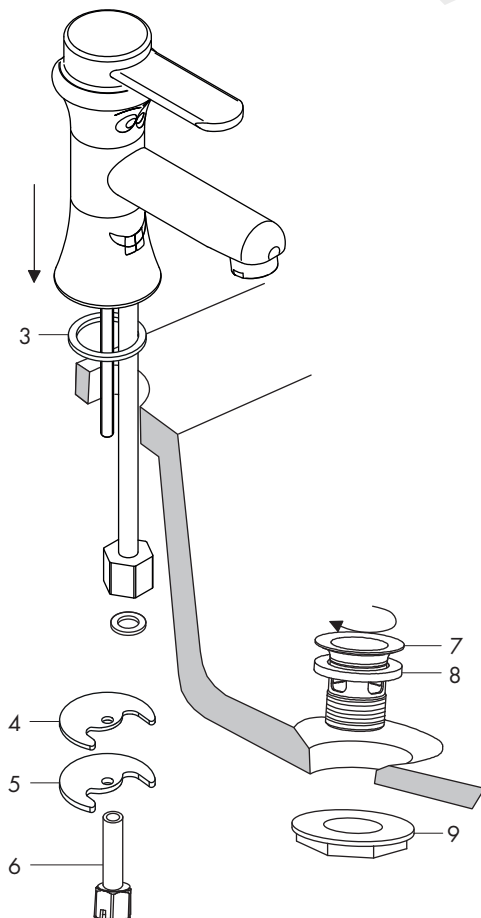
Once in place using the gasket (4) and retaining plate (5) secure in position, taking care not to over tighten the retaining nut (6).

Connect the flexible hose to the cold or mixed water supply using the sealing washer, ensure the joint is water tight.

Installing the Click Clack Waste

Locate the top flange in the hole in the basin ensuring that the white washer (8) is located beneath the flange.

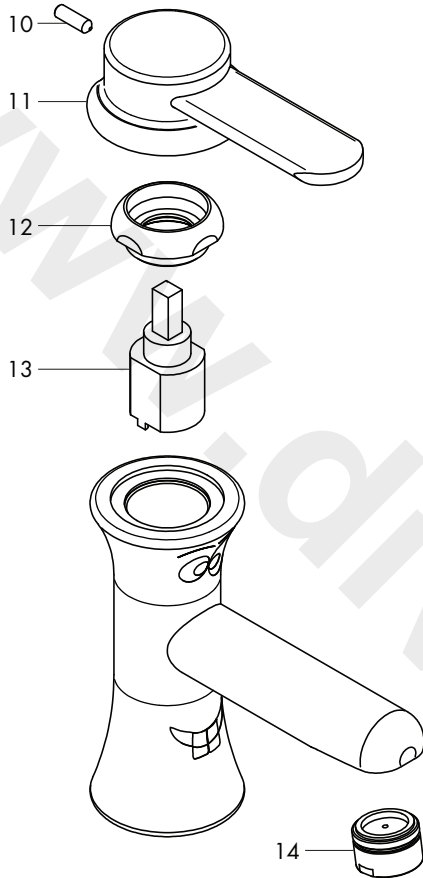
Screw the top flange (7) to the back nut (9) of the waste located beneath the basin, ensuring the assembled waste is located centrally in the hole in the basin and tighten until secure and a leak tight joint is achieved between the top flange and basin.



Intatec Limited, Airfield Industrial Estate, Hixon, Staffordshire, ST18 0PF

Tel: **01889 272180** Fax: **01889 272181** email: **sales@intatec.co.uk**

Kindergarten Basin Mixer Tap



Cartridge Replacement

Isolate the water supply to the tap.

Unscrew the lever retaining screw (10) using an Allen key. Remove the lever (11) and the swivel plate (12).

Using a suitable spanner unscrew the cartridge retainer (13).

Pull the cartridge (13) out of the body.

Replace with a new cartridge and assemble in the reverse order.

Aftercare

The diffuser (14) should be periodically removed, using a suitably sized spanner and cleaned to remove any debris or deposits which may affect the performance of the tap.

Inta basin taps have a high quality finish and should be treated with care.

An occasional wipe with a mild washing-up liquid on a soft damp cloth followed by a thorough rinsing is all that is required.

Do not use an abrasive or chemical household cleaner as this may **cause damage**.