

This product should only be fitted by a qualified plumber to NVQ (National Vocational Qualification) or SNVQ (Scottish National Vocational Qualification) Level 3. Should the installation be completed by a non-qualified person then the guarantee may be considered invalid.

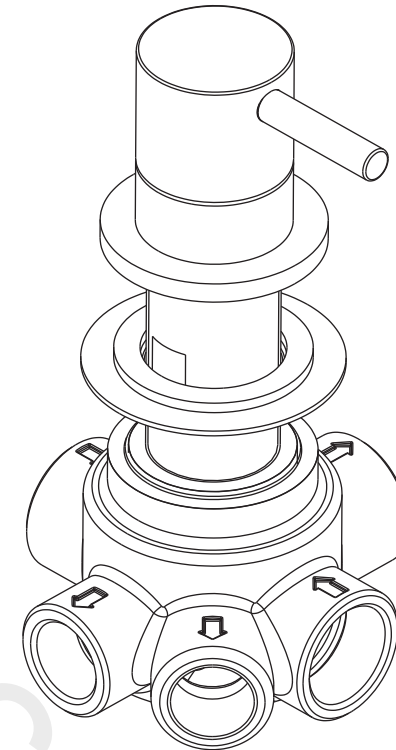
For a claim made under our warranty written certification of your installers credentials can be required. For further information or to find a qualified installer in your area please visit the Institute of Plumbers website - [www.iphe.org.uk](http://www.iphe.org.uk)

### THE QUALIFICATIONS

At present, to be a plumber you need to follow the National Vocational Qualification (NVQ) route (Scottish National Vocational Qualification - SNVQ - in Scotland). These qualifications are made up of theory and practical work in the classroom/purpose built training facility and work based experience with a working plumber. Colleges should help students find a work placement, although many students organise it themselves.

The S/NVQ qualification works in levels. All recently qualified plumbers should hold S/NVQ Level 2 as basic with Level 3 as the preferred level. Level 2 will give you the foundation you need for a career in plumbing and teach you domestic plumbing to a satisfactory level. Level 3 is more comprehensive and deals with domestic, commercial and industrial plumbing along with aspects such as gas - if you want to one day set up your own business, this is the level to reach. The Institute of Plumbing and Heating Engineering, and the industry as a whole recommends that all plumbers reach a minimum of Level 3.

Reaching Level 3 has other advantages. The Institute runs a Master Plumber Certificate, which only those attaining Level 3 or equivalent can reach as long as they have the relevant experience as well. Those with S/NVQ Level 3 can (once in membership with the Institute for five years as a Member MIPHE) gain Engineering Technician EngTech status with the Engineering Council (UK).



For any further information please contact  
Crosswater on: **0845 873 8840**

Or visit our web-site at [www.crosswater.co.uk](http://www.crosswater.co.uk)

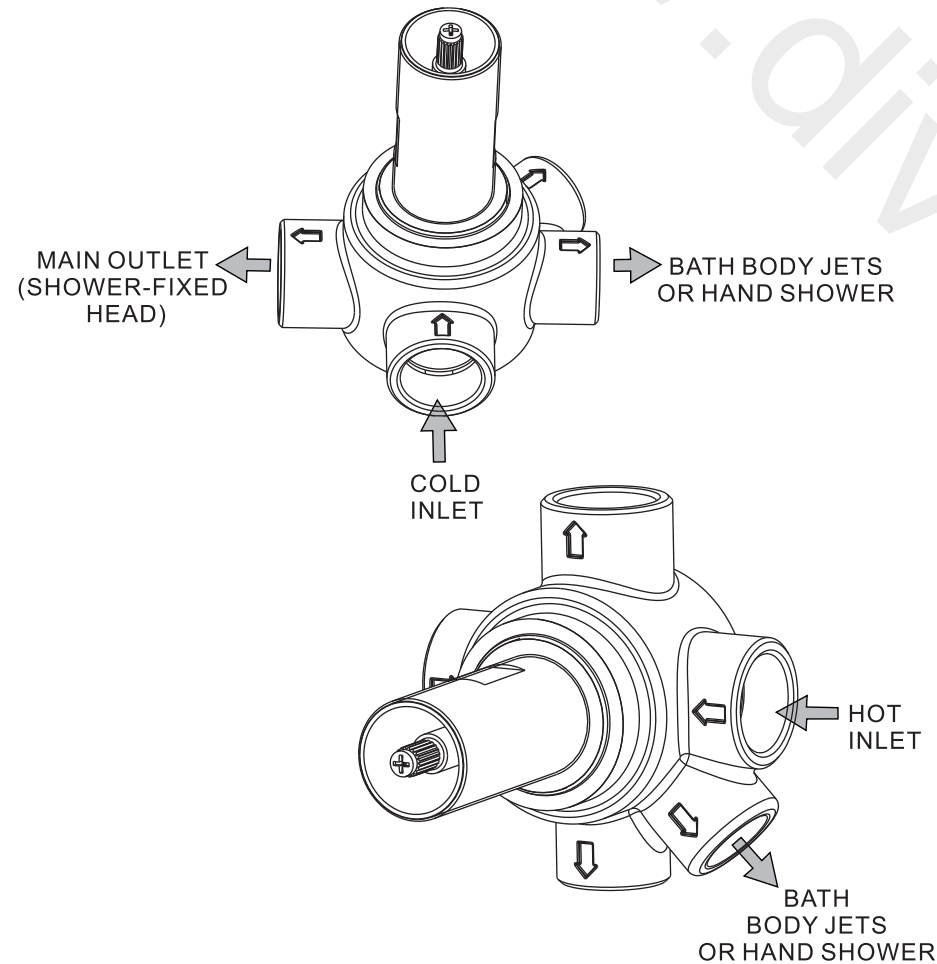
The manufacturer reserves the right to make technical  
modifications without prior notice.

INSTALLATION INSTRUCTIONS

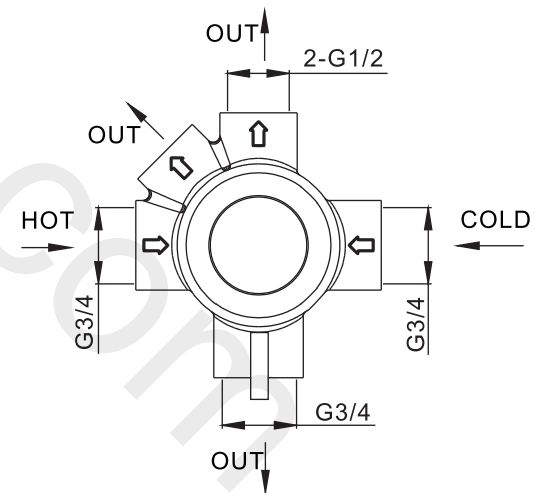
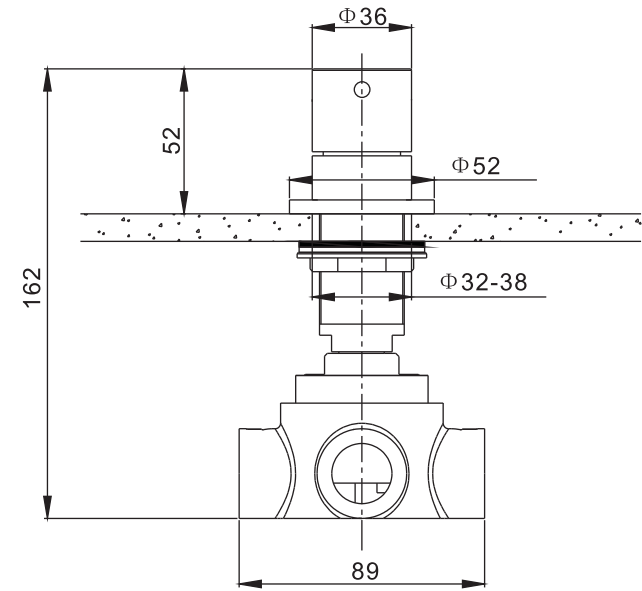
**INTRODUCTION**

This diverter valve is suitable for use with all water systems with a operating pressure 1 Bar up to 5.0 bar, (beyond which we recommend pressure reducing valves to be fitted).  
The valve has three outlets that allow for additional fittings to be supplied.

**PARTS IDENTIFICATION**

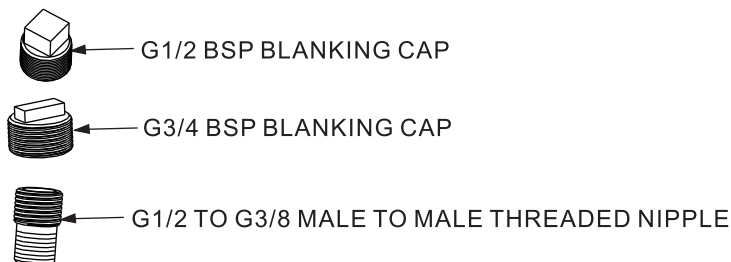
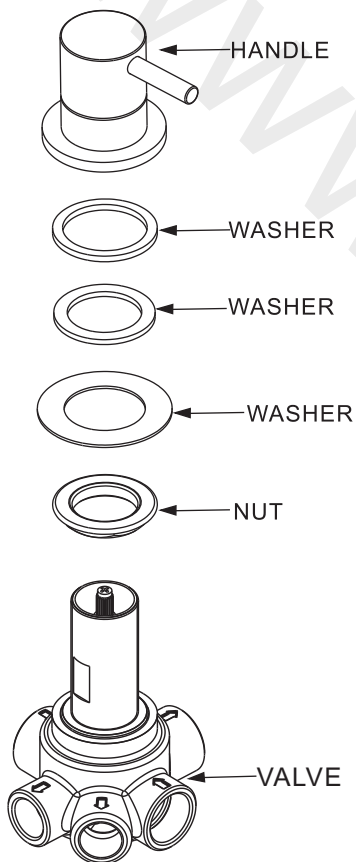


**DIMENSIONS**



NOTE: ALL DIMENSIONS IN MILLIMETRES

INSTALLATION



INSTALLATION

First shut off your water heating system then, with your mains stop cock closed, open the lowest hot and cold taps in the house and allow to run until the cold storage tank and pipes are empty (the hot water storage cylinder always remains full).

Where combination boilers are fitted it is only necessary to turn off the boiler and shut off the incoming mains.

Fitting isolating valves to the inlet feeds is recommended for ease of maintenance.

INSTALLATION

**⚠ Remember to turn off the mains water supply before connecting to any existing pipe work.**

**⚠ Warning! Please check for any hidden pipes and cables before drilling holes in the wall**

The diverter is fitted from the underside of bath and secured to a suitable position on the rim using the washers and back nut provided. The positioning of the tap hole must take into account the space requirements for both inlet and outlet connections to be made. Inlets and outlets are 1/2" & 3/4" ports. Make all pipe work connection using proprietary thread sealer. Do not use tapered threaded adaptors. Blank off and seal the open outlets that are not required.

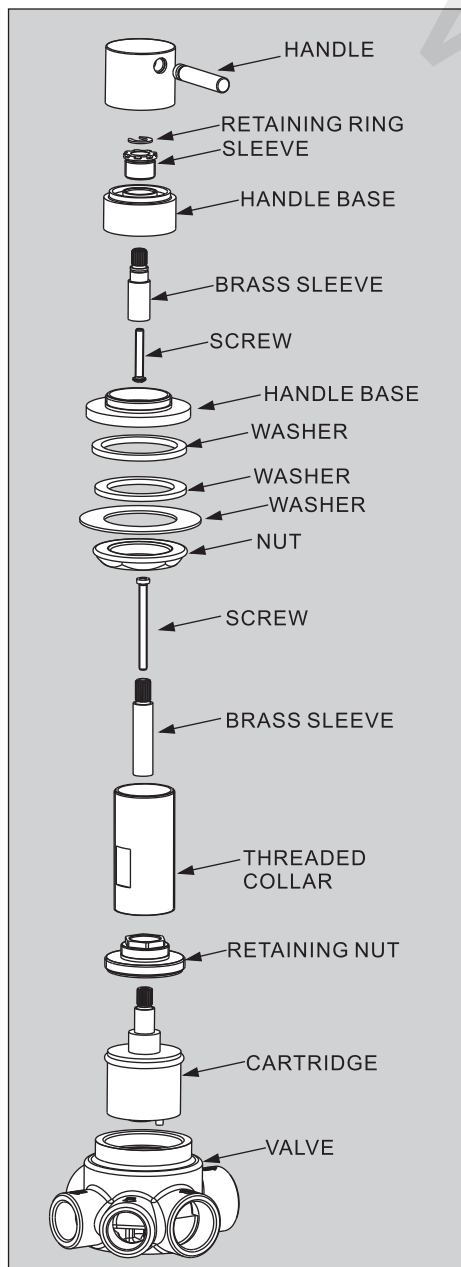
The chrome collar with sealing washer is fitted from above the bath by passing them over the body of the valve. Take care not to over tighten it as this may cause damage to the bath. Fit the control knobs with the grub screw tighten to the spline using the hexagonal key supplied.

ATTENTION

Having first checked all new connections, turn on the mains stop cock, close all taps except the new mixer and as the system starts to refill check for leaks.

Once you have satisfied yourself that there are no leaks, switch on the water heating.

## MAINTENANCE

**CLEANING THE CARTRIDGE**

The concealed cartridge should give trouble free service, but in the event of any problems, servicing is straight forward.

**To remove the cartridge.**

First shut off the water supply then loosen the grub screw and remove the handle.

Take off the cover plate & threaded collar.

Take off and keep safe the washer and spindle before unscrewing the retaining nut.

Taking note of the orientation of the cartridge remove it.

Wash the cartridge with clean running water, dry and lightly grease the seal.

## CLEANING

The chrome and gold plate we use on our taps is very durable, nevertheless care should be taken when cleaning them. They should be cleaned only with warm soapy water followed by rinsing with clean water and drying with a soft cloth. All finishes are vulnerable to acid attack and some strong substances such as household cleaners, disinfectants, denture cleaners, hair dyes, wine making and photographic chemicals can cause the surface to go black or peel.