

KOHLER® Faucets

Wall-mount bathroom sink faucet Industrial handle trim

Components™

K-T77981-9

Features

- Two Industrial handles allow for both volume and temperature control
- Coordinates with Components faucets, accessories, and showering components to complete your bathroom
- Dual-control wall-mounted
- Two-handle bathroom faucet trim for wall-mount installations

Material

- Premium metal construction for durability and reliability

Required Products/Accessories

K-T23888 Wall-mount bathroom sink faucet spout with Ribbon design, 1.2 gpm

or

K-T23889 Wall-mount bathroom sink faucet spout with Row design, 1.2 gpm

or

K-T23890 Wall-mount bathroom sink faucet spout with Tube design, 1.2 gpm

Recommended Products/Accessories

K-23726 Drain treatment

Optional Products/Accessories

K-7107 Decorative Drain

K-7108 Decorative Drain

K-7114 Pop-Up Drain

K-7124 Pop-Up Clicker Drain

K-7127 Drain

K-7129 Drain



Codes/Standards





ASME A112.18.1/CSA B125.1

KOHLER® Faucet Lifetime Limited Warranty

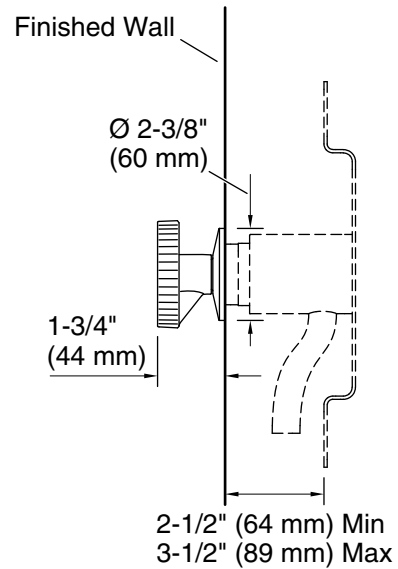
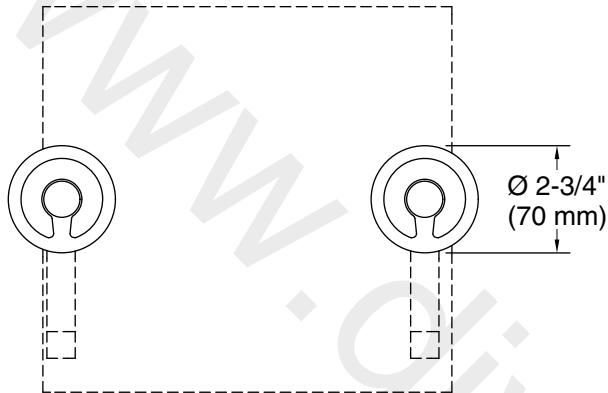
See website for detailed warranty information.

Available Colors/Finishes

Color tiles intended for reference only.

Color	Code	Description
	CP	Polished Chrome
	BN	Vibrant™ Brushed Nickel
	BL	Matte Black
	2MB	Vibrant™ Brushed Moderne Brass

KOHLER Faucets Wall-mount bathroom sink faucet Industrial handle trim
Components™
K-T77981-9



Technical Information

All product dimensions are nominal.

Drain included: No

Drain with overflow: No

Notes

Install this product according to the installation instructions.