

IRWS1-CP

COMMERCIAL Tap Range Infra Red Automatic Basin Wall Spout



Features:

- Non-touch control, using Infrared sensing technology, supports infection control measures
- Mains or battery powered options
- Automatic switch off supports water saving
- BREEAM compliant
- Mains or battery powered options

Product Certifications:



WRAS Cert. Number: 1805362
WRAS Expiry Date: 31/05/2023



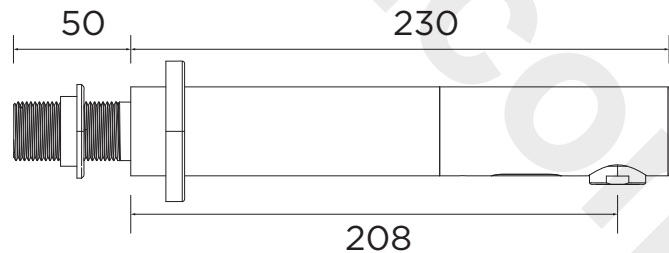
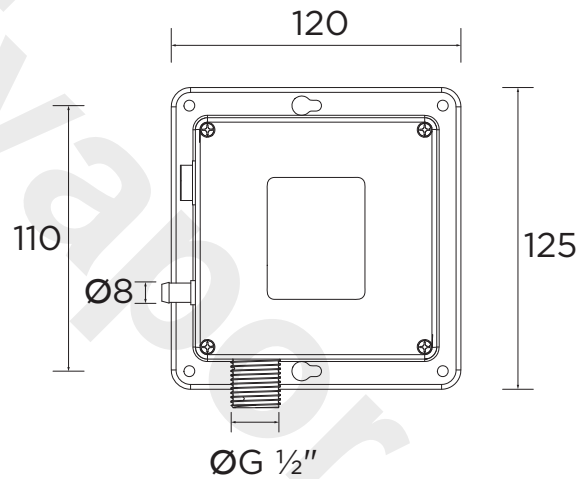
For more products, visit our website:
<http://www.bristan.com>



Specification

Product Type:	Commercial tap
Main Construction Material:	Brass
Mount Type:	Wall Mounting
Handle Type:	N/A
Connection Inlet:	G 1/2"
Connection Outlet:	Open
Number of Tap Holes:	1
Valve/Cartridge Type:	Thermostatic Valve
Plumbing System Requirements:	High Pressure Systems
Working Pressure Range:	Min, 0.2 Bar, Max. 5.0 Bar
Maximum Hot Water Temperature: °C	65
Maximum Static Pressure: (bar)	10
Flow Type:	Dual
Isolation Included:	No

Dimensions (measurements in mm)



Flow Rates (l/min)

System Pressure (bar)	0.2	0.5	1	2	3	5
IRWS1-CP	--	1.6	2.9	4.2	4.3	3.95

TECHNICAL
DATA
SHEET



BRISTAN
TAPS & SHOWERS

D3