

# IRBS5-CP

## COMMERCIAL Tap Range Infrared Automatic Swan Neck Basin Spout Chrome



### Features:

- Non-touch control, using infrared sensing technology
- Supports infection control measures
- Automatic switch off supports water saving
- BREEAM compliant
- Mains or battery powered options

### Product Certifications:



WRAS Cert. Number: 1710382  
WRAS Expiry Date: 31/10/2022



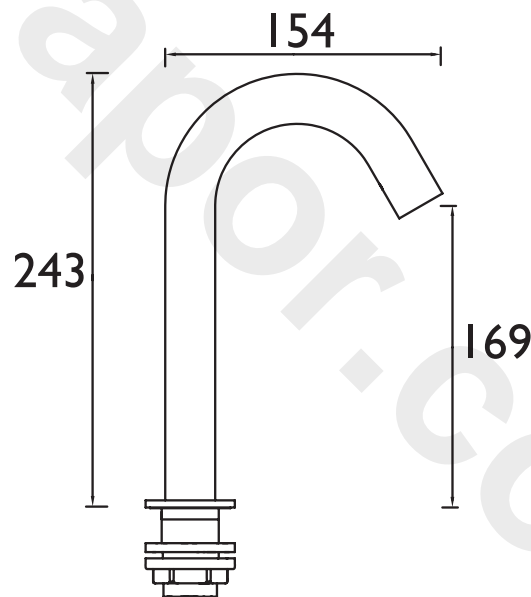
For more products, visit our website:  
<http://www.bristan.com>



### Specification

Style:	Commercial
Product Type:	Electronic basin tap
Main Construction Material:	Brass
Mount Type:	Deck
Connection Inlet:	G1/2"
Number of Tap Holes:	1
Valve/Cartridge Type:	Solenoid Valve
Plumbing System Requirements:	Suitable for high pressure plumbing systems
Working Pressure Range:	Min 1.0 Bar, Max 5.0 Bar
Maximum Hot Water Temperature: °C	45
Maximum Static Pressure: (bar)	10
Flow Type:	Single: /Dual:
Flow Rate: (l/min @ 3 bar)	5.6

### Dimensions (measurements in mm)



### Flow Rates (l/min)

System Pressure (bar)	1	2	3	5
IRBS5-CP	3.4	4.8	5.3	5.2

TECHNICAL  
DATA  
SHEET



**BRISTAN**  
TAPS & SHOWERS

D3