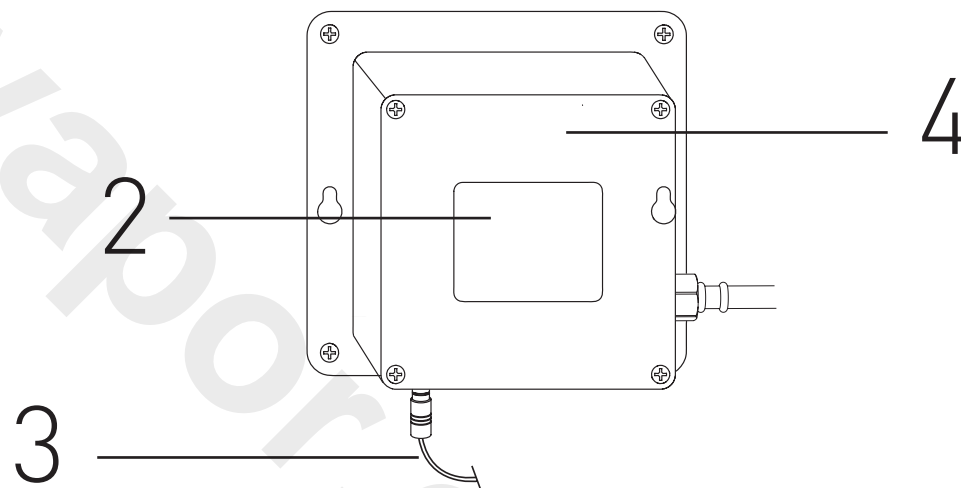
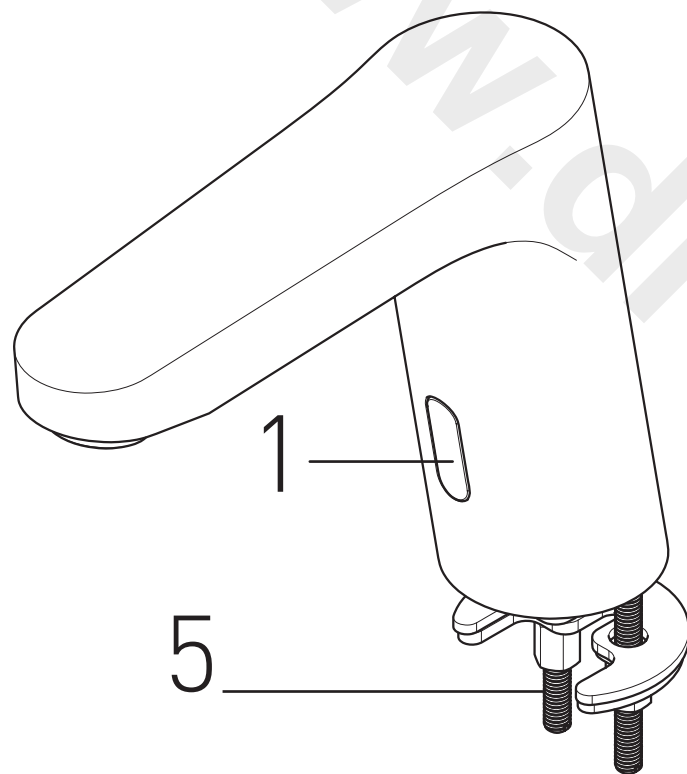


Product Code: IRBS2-CP

Revision: D2



1	Sensor
2	Solenoid Valve
3	Transformer/Lead/Plug/Connector
4	Control Box
5	Fixing Kit